

5 *Illustrated Parts Breakdown*

Organization of this Chapter

This chapter contains drawings of the electromechanical assemblies comprising the printer. The table following each illustration lists the illustrated parts and their part numbers. Items marked "Ref" (reference) are not spared, are part of another assembly, or are shown elsewhere.

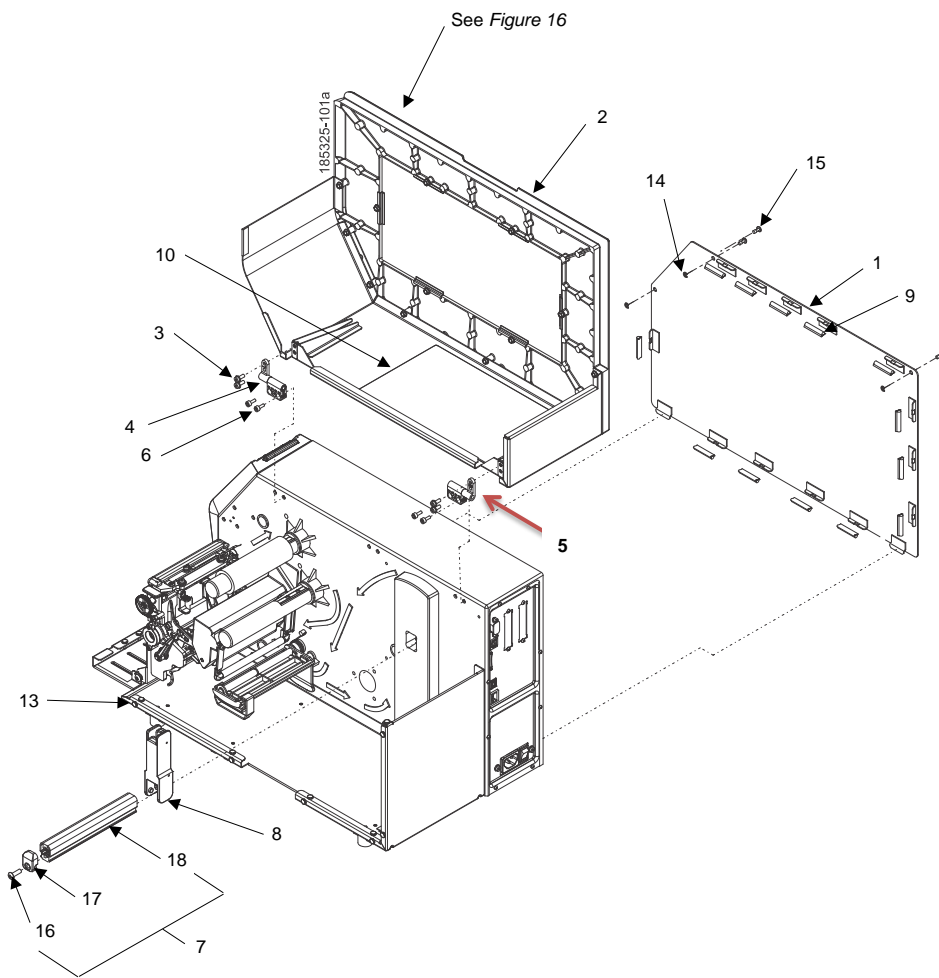


Figure 15 Covers and Media Hanger

Item No.	Part No.	Description	Notes
1	258470-901	COVER,SIDE,T8000	
2	258418-001	MEDIA COVER ASSY,T8X08	Includes Figure 16 items 1, 2 and 3
	258418-002	MEDIA COVER ASSY,T8X06	
	258418-003	MEDIA COVER ASSY,T8X04	
3	203824-002	SCREW,M4 X 10,FLNG,SH,B18.3.1M,BLK (4)	8" T8 has a third hinge that uses 2 more screws. Also available in Hardware Kit 258751-001.
4	178338-001	HINGE,FRICTION,LH	Also used as center hinge on 8" T8 printers
5	178338-002	HINGE,FRICTION,RH	
6	204014-001	SCREW,M5X105.8,SBHCS,SS,ASTM F880M (3)	Available only in Hardware Kit 258751-001
7	178496-001	BEAM ASSY,MEDIA HANGER,8 IN	Includes items 16, 17 and 18.
	178496-002	BEAM ASSY,MEDIA HANGER,6 IN	
	178496-003	BEAM ASSY,MEDIA HANGER,4 IN	
8	750474-001	GUIDE ASSY,MEDIA HANGER,T5XXX	
9	203527-001	CLIP,EMI (13)	Part of item 1 Also available in Hardware Kit 258751-001
10	172606-001	LABEL,MEDIA LOADING,TRANSLATED,T5XXX	
13	750923-001	BUTTON,DAMPING,T5XXX (11)	Available only in Hardware Kit 258751-001
14	203326-001	RING,RETAINING,E.,.156 (3)	Available only in Hardware Kit 258751-001
15	211474-001	SCR,M4X10,SBHCS-CAP,STL/BLK-ZN,B18.3.4M (3)	Available only in Hardware Kit 258751-001
16	203254-001	SCREW,M5X16X.8,SBHCS,SS,ASTM F880M	Part of item 7 Also Available in Hardware Kit 258751-001
17	176770-001	CAP,PLASTIC,MEDIA HNGER	Part of item 7
18	176769-001	BEAM,MEDIA HANGER,8 IN	Part of item 7
	176769-002	BEAM,MEDIA HANGER,6 IN	
	176769-003	BEAM,MEDIA HANGER,4 IN	

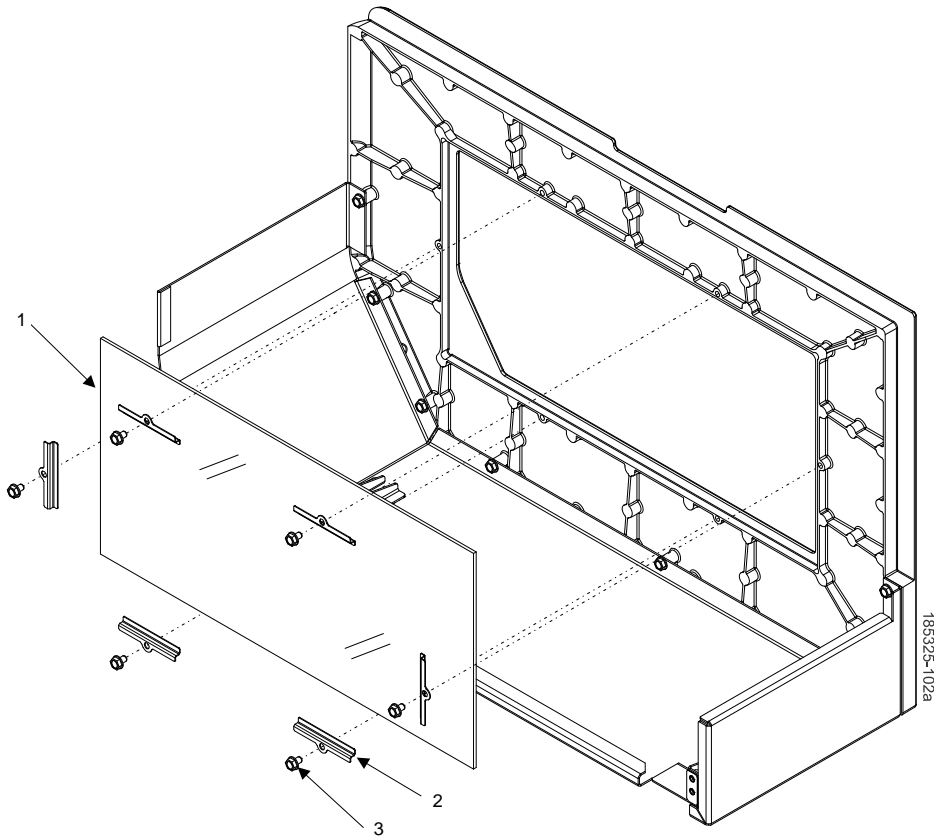


Figure 16 Media Cover Window

Item No.	Part No.	Description	Notes
1	258420-001	WINDOW,MEDIA COVER,T8000	Part of Figure 15 item 2
2	177221-001	CLIP,WINDOW,MEDIA COVER (6)	Part of Figure 15 item 2
3	204891-001	SCREW,M4X6X.7,HWH,TF,STL/ZN,SAE J1237 (6)	Part of Figure 15 item 2

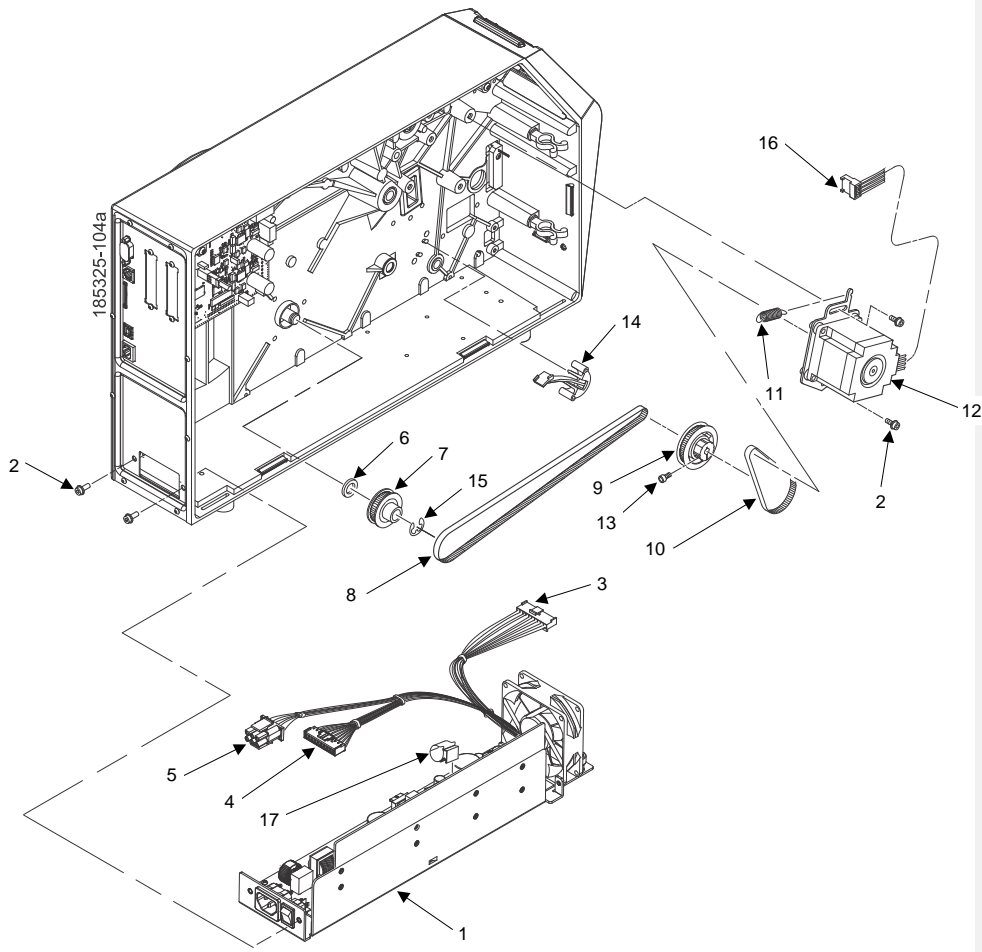


Figure 17 Power Supply, Belts, and Stepper Motor

Item No.	Part No.	Description	Notes
1	258283-001	POWER SUPPLY,T8X04,5V	
	258284-001	POWER SUPPLY,T8X06/8,5V	
2	203824-002	SCREW,M4 X 10,FLNG,SH,B18.3.1M,BLK (4)	Available only in Hardware Kit 258751-001
3	REF	CABLE ASSY,PRINTHEAD POWER,	Part of Figure 17 item 1
4	REF	CABLE ASSY P5, CONTROLLER,T8000	Part of Figure 17 item 1
5	REF	CABLE P17, CONTROLLER,	Part of Figure 17 item 1
6	204527-001	WASHER,NYLON,1.125X.50X.080	Part of Figure 18 item 4
7	174494-001	PULLEY ASSY,REWINDER	Part of Figure 18 item 4
8	750581-001	BELT,REWINDER	Part of Figure 18 item 4
9	171239-901	PULLEY,CLUSTER,PLATEN	Includes item 13
10	750580-001	BELT,PLATEN,THERMAL	
11	203260-001	SPRING,STEPPER MOTOR,THERMAL	
12	172133-901	STEPPER MOTOR ASSY	
13	211203-001	SCREW,M4X10X.7,SHCS,STL/ZN,ANSI B18.3.1M	Part of item 9
14	750599-001	TENSIONER	Part of Figure 18 item 4
15	105678-003	RING,RETAINING,E	Part of Figure 18 item 4
16	REF	CABLE ASSY,STEPPER MOTOR TO CONTROLLER PCBA	Part of Figure 18 item 12
17	211461-001	CLIP,EDGE,POWER SUPPLY	

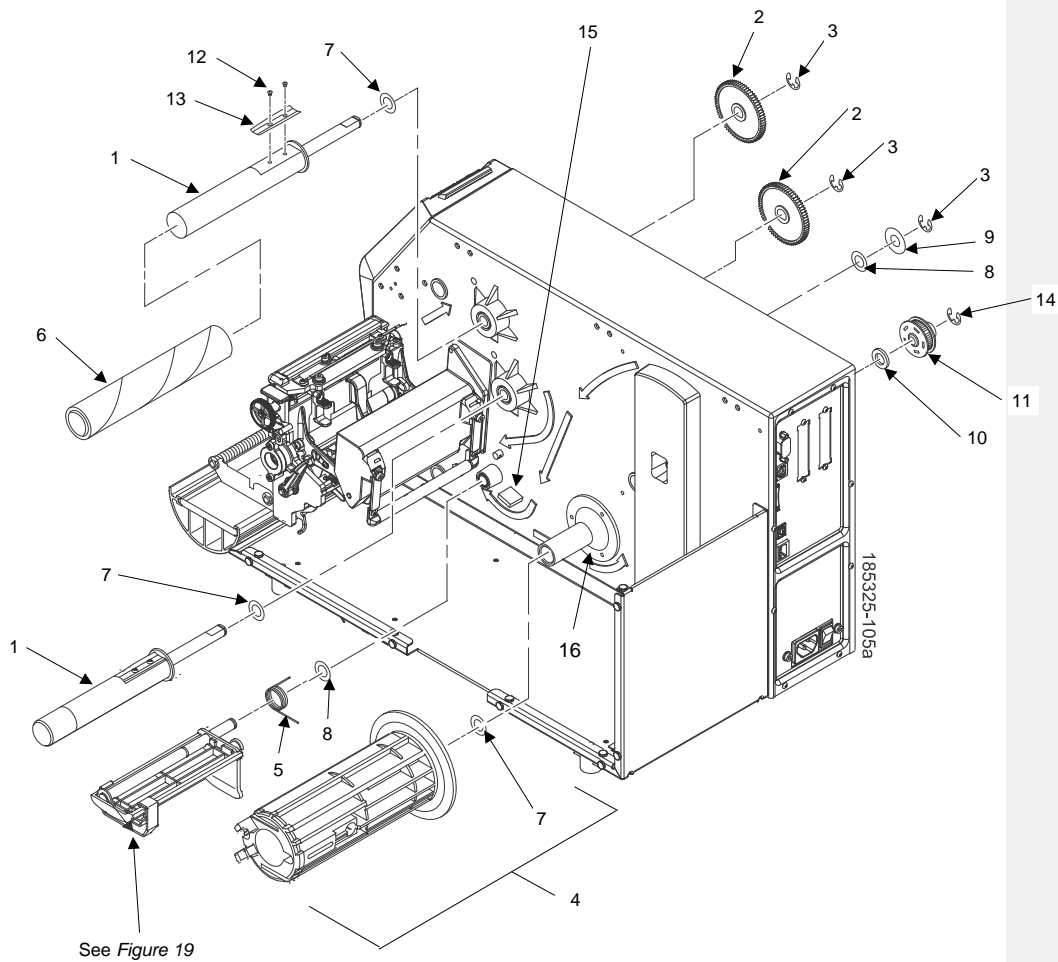


Figure 18 Shafts and Spindles

Item No.	Part No.	Description	Notes
1	171409-001 171408-001 172264-001	FIELD KIT,RIBBON SPINDLE,8 IN,T5 FIELD KIT,RIBBON SPINDLE,6 IN,T5 FIELD KIT,RIBBON SPINDLE,4 IN,T5	All include items 3 ,7, 12 and 13.
2	750569-001	GEAR,RBN DRV,FINAL,THERMAL	
3	203278-001	RING,RETAINING,E,,375	Part of item 1. Also, available in Hardware Kit 258751-001
4	258609-001 258609-002 258609-003	FIELD KIT,REWINDER,T8X08 FIELD KIT,REWINDER,T8X06 FIELD KIT,REWINDER,T8X04	All include items 7, 10, 11, 14, 16 and 17. Also includes Figure 17 items 8 and 14.
5	750641-001	SPRING,MEDIA DAMPER	
6	203480-001 203479-001 203478-001	CORE,RIBBON,THERMAL,8 IN CORE,RIBBON,THERMAL,6 IN CORE,RIBBON,THERMAL,4 IN	
7	203510-001	WASHER,,750X.443X.032,FL,NYLON	Part of item 1 and 4. Also, available in Hardware Kit 258751-001
8	203523-001	WASHER,,380X.683X.031,FL,NYLON	Available only in Hardware Kit 258751-001
9	203526-001	WASHER,,390X.656X.020,FL,SS304	Available only in Hardware Kit 258751-001
10	204527-001	WASHER,NYLON,1.125X.50X.080	Part of item 4
11	174494-001	PULLEY ASSY,REWINDER,T5XXX	Part of item 4
12	203513-001	SCREW,M3X4X.5,SBHCS,STL/ZN,ASTM A574M (2)	Part of item 1
13	170528-001	BLADE,RIBBON SPINDLE	Part of item 1
14	105678-003	RING,RETAINING,E	Part of item 4
15	N/A	MEDIA DAMPER STOP	Part of frame casting
16	255357-001	HUB,REWINDER ASSY	Part of item 4
17	203824-002	SCREW,M4X10,FLNG,SH BLK (3) (Not Shown)	Part of item 4. Used to mount item 16 to frame. Also available in Hardware Kit 258751-001

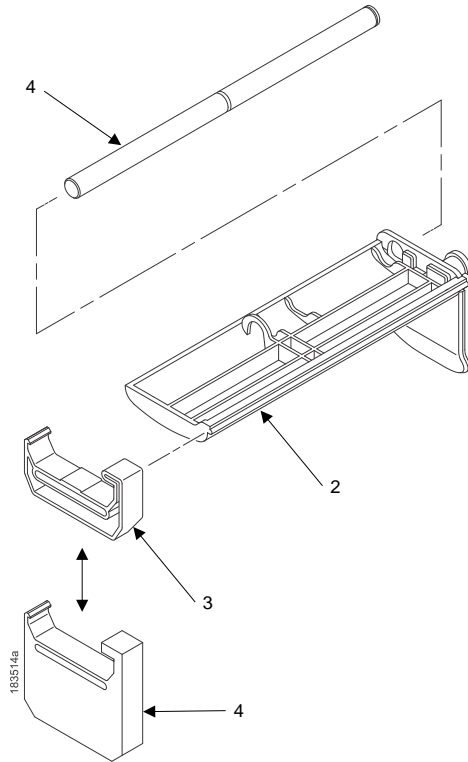


Figure 19 Media Damper

Item No.	Part No.	Description	Notes
1	750477-001	SHAFT,MEDIA DAMPER,6 IN/8 IN	
	171825-001	SHAFT,MEDIA DAMPER,4 IN	
2	175169-001	DAMPER ASSY,MEDIA,8 IN,V2	
	175169-002	DAMPER ASSY,MEDIA,6 IN,V2	
	175169-003	DAMPER ASSY,MEDIA,4 IN,V2	
3	177719-001	GUIDE,MEDIA WIDTH,V2	
4	175756-001	GUIDE,MEDIA,MACHINED,EXT	Used with and included in rewinder and validator options only.

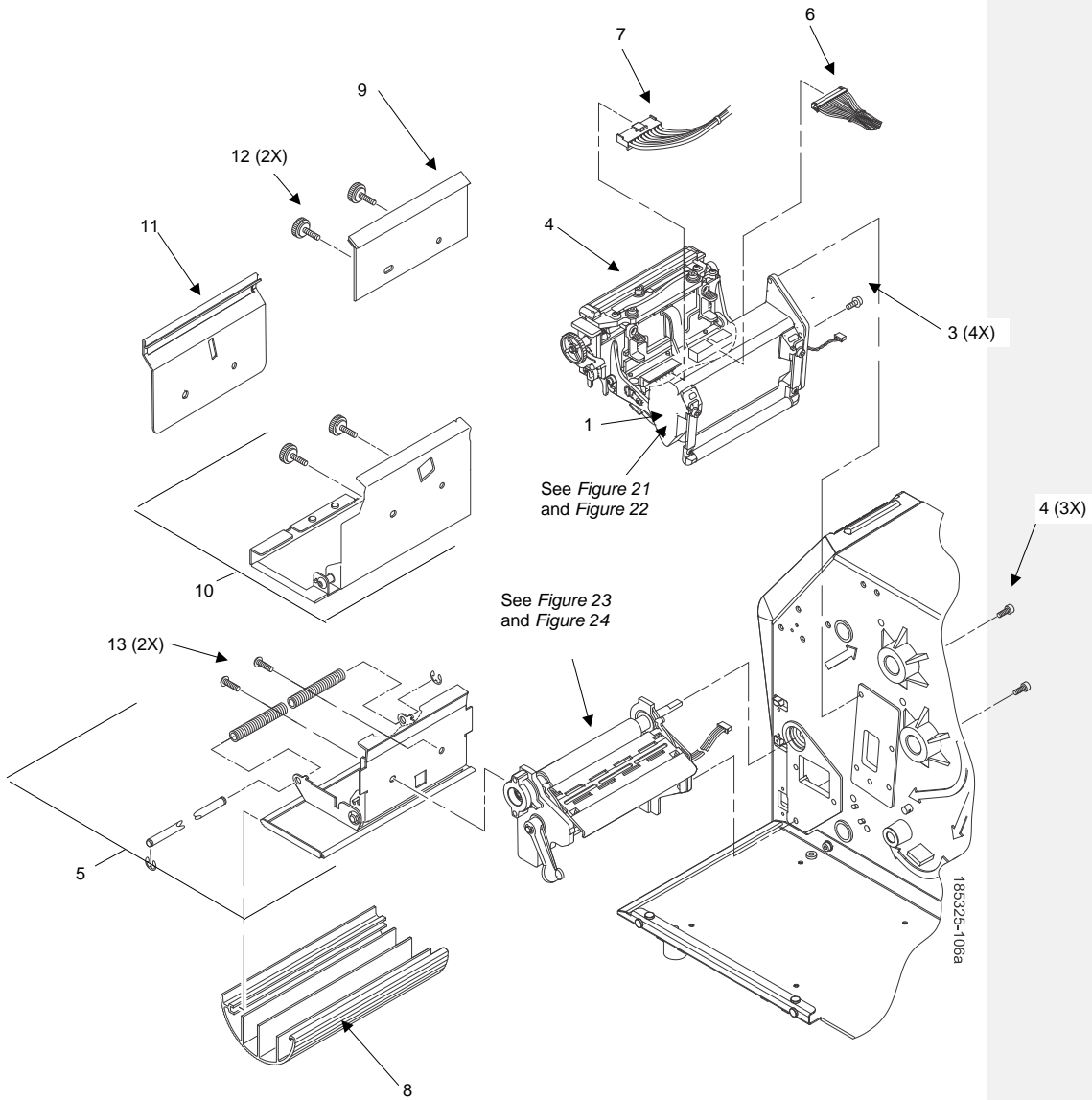


Figure 20 Upper and Lower Support Assemblies

Item No.	Part No.	Description	Notes
1	178624-901	UPPER DECK ASSEMBLY,4IN	Refer to Figure 22
	179269-901	UPPER DECK ASSEMBLY,6IN	Refer to Figure 21
	171598-001	FIELD KIT,UPPER DECK,8IN	Refer to Figure 21 Does not include Printhead Assembly
3	203824-002	SCREW,M4X10,FLNG,SH,B18.3.1M,BLK (4)	Available in Hardware Kit 258751-001
4	Ref	Pivoting Deck	Part of item 1
5	258610-001	FIELD KIT,PEEL/TEAR ASSY,T8X08	Used only on models with Internal Rewinder option
	258610-002	FIELD KIT,PEEL/TEAR ASSY,T8X06	
	258610-003	FIELD KIT,PEEL/TEAR ASSY,T8X04	
6	258433-001	CABLE ASSY,PRTHD INTFC,T8000	
7	258283-001	POWER SUPPLY,T8X04,5V	Printhead power cable from power supply.
	258284-001	POWER SUPPLY,T8X06/8,5V	
8	258611-001	FIELD KIT,PAPER PATH ASSY,T8X04	Supported only on item 5 Peel/Tear Door Assy. Also part of Fig 18 item 4.
	172473-002	FIELD KIT,PAPER PATH ASSY,6IN	
	172473-001	FIELD KIT,PAPER PATH ASSY,8IN	
9	175063-901	TEAR BAR ADJUST ASSY,4IN	Supports Continuous and Tear-Off Strip Media Handling Modes only
	175063-902	TEAR BAR ADJUST ASSY,6IN	
	175063-903	TEAR BAR ADJUST ASSY,8IN	
10	P220182-001	ASSY,TEAR-OFF,8 INCH,T8	Standard T8 Door Assy. Supports Continuous, Tear-Off Strip and Tear- Off Media Handling Modes.
	P220182-002	ASSY,TEAR-OFF,6 INCH,T8	
	P220182-003	ASSY,TEAR-OFF,4 INCH,T8	
	258423-001	PLATE,TEAR-OFF,T8X08	
	258423-002	PLATE,TEAR-OFF,T8X06	
	258423-003	PLATE,TEAR-OFF,T8X04	
	258422-001	COVER,TEAR-OFF,T8X08	
	258422-002	COVER,TEAR-OFF,T8X06	
	258422-003	COVER,TEAR-OFF,T8X04	
	11	250673-001	
250673-002		FIELD KIT,UPWARD TEAR-OFF,6IN,TH	
250673-003		FIELD KIT,UPWARD TEAR-OFF,4IN,TH	
12	204420-001	SCREW, THUMB,M5X16 (2)	Part of item 1 and 10. Also available in Hardware Kit 258751-001
13	203254-001	SCREW,M5X16X.8 SBHCS,SS	Part of item 5. Also available in Hardware Kit 258751-001

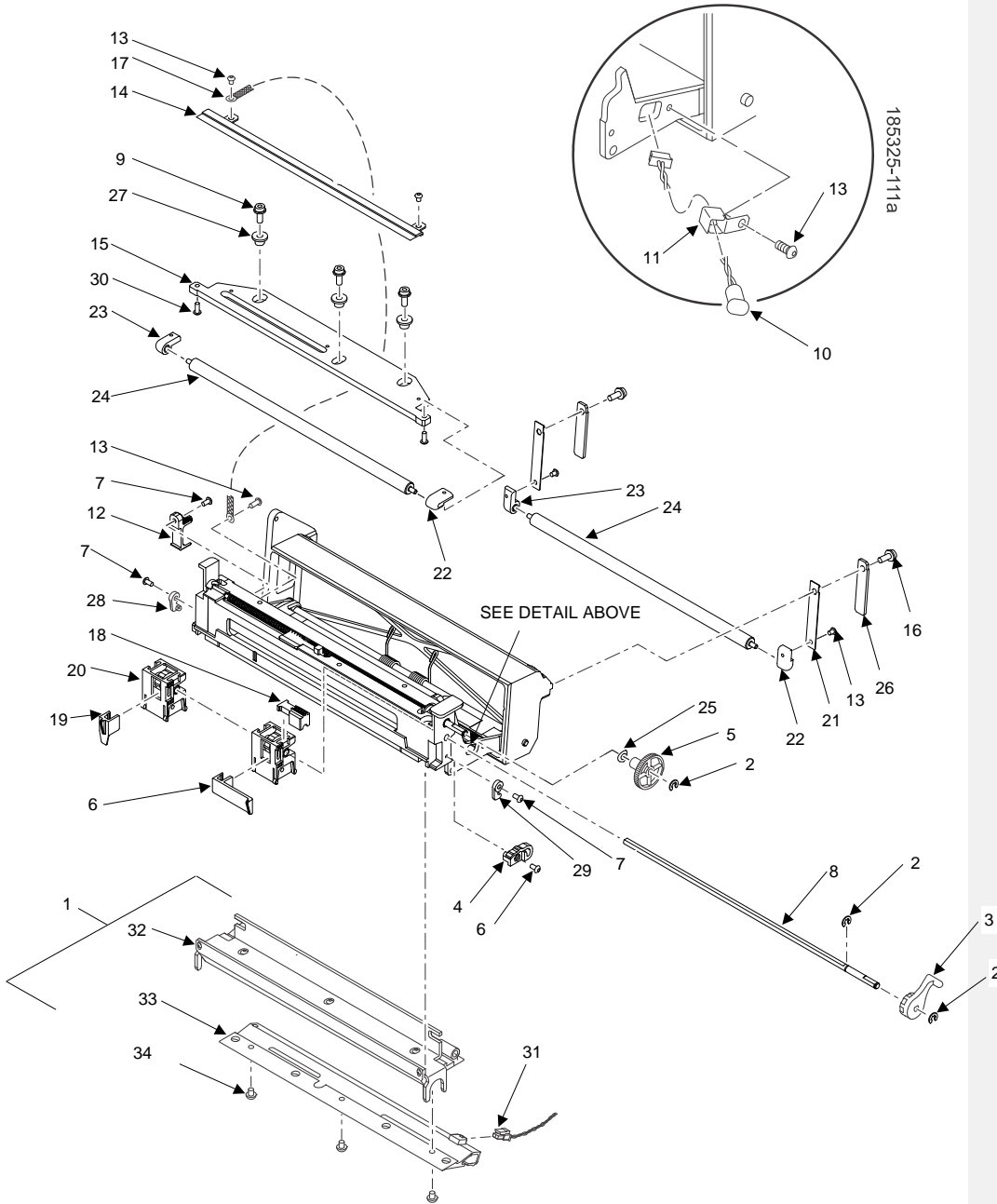


Figure 21 Six and Eight Inch Printhead, Pivoting Deck, and Upper Support Assembly

Item No.	Part No.	Description	Notes
1	258706-001	FIELD KIT,PRINthead ASSY,STD LIFE,T8208	Includes items 7, 32 and 33. Does Not include 31.
	258709-001	FIELD KIT,PRINthead ASSY,HEAVY DUTY,T8208	
	258706-002	FIELD KIT,PRINthead ASSY,STD LIFE,T8308	
	258709-002	FIELD KIT,PRINthead ASSY,HEAVY DUTY,T8308	
	258705-001	FIELD KIT,PRINthead ASSY,STD LIFE,T8206	
	258708-001	FIELD KIT,PRINthead ASSY,HEAVY DUTY,T8206	
	258705-002	FIELD KIT,PRINthead ASSY,STD LIFE,T8306	
258708-002	FIELD KIT,PRINthead ASSY,HEAVY DUTY,T8306		
2	203419-001	RING,E.,.188 (3)	Part of Figure 20 item 1
3	258506-001	DIAL,HEAD,PRESSURE ADJUSTMENT	Part of Figure 20 item 1
4	171088-001	INDICATOR,HEAD PRESSURE DIAL	Part of Figure 20 item 1
5	171087-001	KNOB,LEAD SCREW,LG,1.15 OD,THERMAL	Part of Figure 20 item 1
6	170880-001	POINTER,PRESSURE BLOCK	Part of Figure 20 item 1
7	203281-001	SCREW,M3X6X.5,SBHCS,SS,ASTM F880M (8)	Part of Figure 20 item 1
8	171086-001	SHAFT,HEAD PRESSURE,8 IN	Part of Figure 20 item 1
	171086-002	SHAFT,HEAD PRESSURE,6 IN	
9	204002-001	SCREW,M4X12X.7,SFHCS,STL BK,ANSI B18.3.1M (3)	Part of Figure 20 item 1
10	171746-001	SWITCH,HEAD UP/DOWN,THERMAL	Part of Figure 20 item 1
11	170193-0001	HOLDER,SENSOR,THERMAL	Part of Figure 20 item 1
12	171277-001	CLIP,HEAD RETAINER,THERMAL (2)	Part of Figure 20 item 1
13	203513-001	SCREW,M3X4X.5,SBHCS,STL/ZN,ASTM A574M (6)	Part of Figure 20 item 1
14	173838-001	BRUSH,ANTI-STATIC,8IN	Part of Figure 20 item 1
	173838-002	BRUSH,ANTI-STATIC,6IN	
15	170574-001	GIMBAL,8 IN,ADJUSTABLE	Part of Figure 20 item 1
	170574-002	GIMBAL,6 IN,ADJUSTABLE	
16	203824-002	SCREW,M4X10,FLNG,SH,B18.3.1M,BLK (2)	Part of Figure 20 item 1
17	171121-001	STRAP,GROUND	Part of Figure 20 item 1
18	172196-001	RACK,6/8 IN	Part of Figure 20 item 1
19	171730-001	HANDLE,PRESSURE PAD	Part of Figure 20 item 1
20	171594-001	PRESSURE BLOCKS,8 IN (2)	Part of Figure 20 item 1
	171593-001	PRESSURE BLOCKS,6 IN (2)	
21	171146-001	SPRING,LEAF,THERMAL (2)	Part of Figure 20 item 1
22	171996-001	BUSHING,RIBBON GUIDE,RH,THERMAL	Part of Figure 20 item 1
23	171996-002	BUSHING,RIBBON GUIDE,LH,THERMAL	Part of Figure 20 item 1
24	170261-001	SHAFT,RIBBON GUIDE,8 IN	Part of Figure 20 item 1
	170261-002	SHAFT,RIBBON GUIDE,6 IN	
25	203431-001	WASHER,CURVED,.194 ID	Part of Figure 20 item 1
26	171377-001	GUARD,SPRING,THERMAL (2)	Part of Figure 20 item 1

27	170876-001	SPACER,GIMBAL (3)	Part of Figure 20 item 1
28	171864-001	RETAINER,HEAD LATCH,INBOARD,THERMAL	Part of Figure 20 item 1
29	171864-002	RETAINER,HEAD LATCH,OUTBOARD,THERMAL	Part of Figure 20 item 1
30	203251-001	SCREW,M3X8X.5,SBHCS,SS,ASTM F880M	Part of Figure 20 item 1
31	175116-001	CABLE,UPPER MEDIA SENSOR,THERMAL	
32	750512-001	BRACKET,HEAD MOUNT,8 IN	Part of Figure 21 item 1
	750512-002	BRACKET,HEAD MOUNT,6 IN	
33	258541-001	COVER/UPPER MEDIA SENSOR ASSY,T8X08	Part of Figure 21 item 1
	258541-002	COVER/UPPER MEDIA SENSOR ASSY,T8X06	
34	203513-001	SCREW,M3X4X.5,SBHCS,STL/ZN,ASTM A574M (3)	Part of Figure 21 item 1

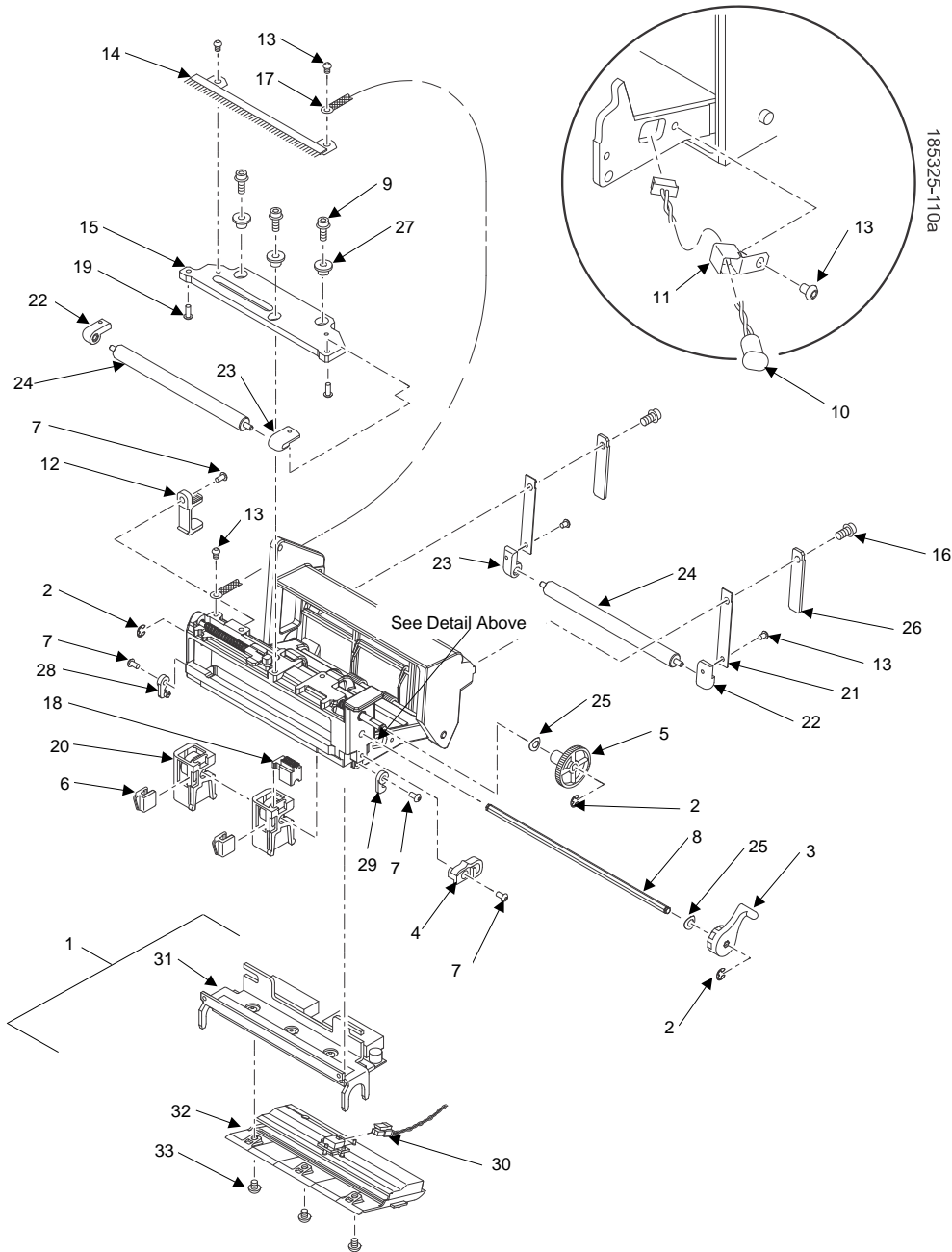


Figure 22 Four Inch Printhead, Pivoting Deck, and Upper Support Assembly

Item No.	Part No.	Description	Notes
1	258704-001	FIELD KIT,PRINthead ASSY,STD LIFE,T8204	Includes items 31,32,33. Does Not include 30.
	258707-001	FIELD KIT,PRINthead ASSY,HEAVY DUTY,T8204	
	258704-002	FIELD KIT,PRINthead ASSY,STD LIFE,T8304	
	258707-002	FIELD KIT,PRINthead ASSY,HEAVY DUTY,T8304	
2	203419-001	RING,E.,188 (3)	Part of Figure 20 item 1
3	176762-001	DIAL,HEX,HEAD PRESSURE ADJUSTMENT	Part of Figure 20 item 1
4	171088-001	INDICATOR,HEAD PRESSURE DIAL	Part of Figure 20 item 1
5	171087-001	KNOB,LEAD SCREW,LG,1.15 OD, THERMAL	Part of Figure 20 item 1
6	172313-001	HANDLE,PRESSURE PAD,4 IN (2)	Part of Figure 20 item 1
7	203281-001	SCREW,M3X6X.5,SBHCS,SS,ASTM F880M	Part of Figure 20 item 1
8	176761-001	SHAFT,HEX,HEAD PRESSURE,4IN	Part of Figure 20 item 1
9	204002-001	SCREW,M4X12X.7,SFHCS,STLBK,ANSI B18.3.1M (3)	Part of Figure 20 item 1
10	171746-001	SWITCH,HEAD UP/DOWN,THERMAL	Part of Figure 20 item 1
11	170193-001	HOLDER,SENSOR,THERMAL	Part of Figure 20 item 1
12	171277-001	CLIP,HEAD RETAINER,THERMAL (2)	Part of Figure 20 item 1
13	203513-001	SCREW,M3X4X.5,SBHCS,STL/ZN,ASTM A574M (6)	Part of Figure 20 item 1
14	173858-001	BRUSH,ANTI-STATIC,4IN	Part of Figure 20 item 1
15	171161-001	GIMBAL,4 IN	Part of Figure 20 item 1
16	203824-002	SCREW,M4 X 10,FLNG,SH,B18.3.1M, BLK(2)	Part of Figure 20 item 1
17	171121-001	STRAP,GROUND	Part of Figure 20 item 1
18	172197-001	RACK,4 IN	Part of Figure 20 item 1
19	203251-001	SCREW,M3X8X.5,SBHCS,SS,ASTM F880M	Part of Figure 20 item 1
20	178625-001	PRESSURE BLOCK ASSEMBLY,4IN,HEX (2)	Part of Figure 20 item 1
21	171146-001	SPRING,LEAF,THERMAL (2)	Part of Figure 20 item 1
22	171996-001	BUSHING,RIBBON GUIDE,RH,THERMAL	Part of Figure 20 item 1
23	171996-002	BUSHING,RIBBON GUIDE,LH,THERMA	Part of Figure 20 item 1
24	171166-001	SHAFT,RIBBON GUIDE,4 IN	Part of Figure 20 item 1
25	203431-001	WASHER,CURVED,.194 ID (2)	Part of Figure 20 item 1
26	171337-001	SPRING,HEAD PRESSURE (2)	Part of Figure 20 item 1
27	170876-001	SPACER,GIMBAL (3)	Part of Figure 20 item 1
28	171864-001	RETAINER,HEAD LATCH,INBOARD,THERMAL	Part of Figure 20 item 1
29	171864-002	RETAINER,HEAD LATCH,OUTBOARD,THERMAL	Part of Figure 20 item 1
30	175116-001	CABLE,UPPER MEDIA SENSOR,THERMAL	
31	251405-001	BRACKET,HEAD MOUNT,4IN,NON-ANOD	Part of Figure 22 item 1
32	258520-001	PRINthead COVER ASSY,T8X04	Part of Figure 22 item 1
33	203281-001	SCREW,M3X64X.5,SBHCS,STL/ZN,ASTM A574M (3)	Part of Figure 22 item 1

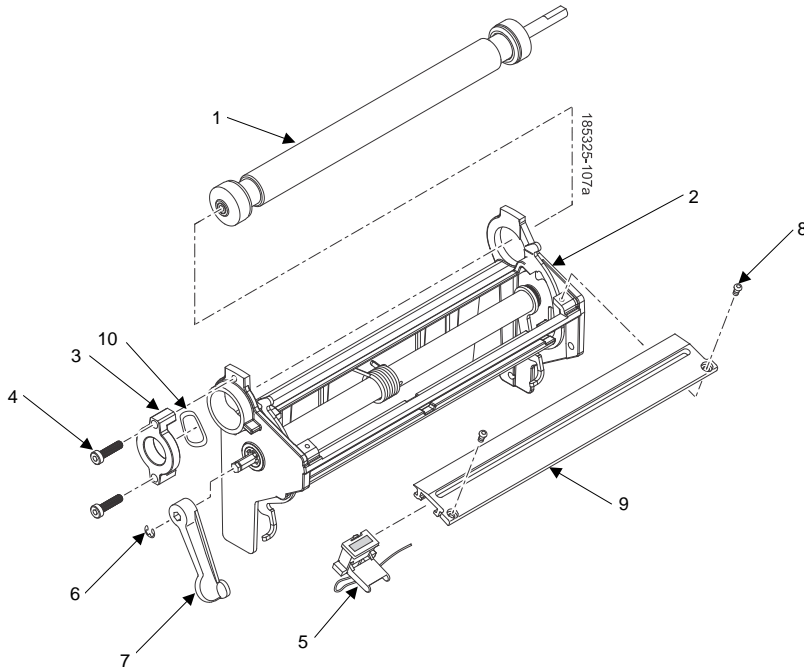


Figure 23 Six and Eight Inch Platen and Lower Support Assemblies

Item No.	Part No.	Description	Notes
1	178956-001	FIELD KIT,PLATEN ASSY,8IN (SILICON)	
	178957-001	FIELD KIT,PLATEN ASSY,6IN (SILICON)	
2	258531-901	LOWER SUPPORT ASSY,T8X08	Includes items 3, 6, and 7
	258530-901	LOWER SUPPORT ASSY,T8X06	
3	258462-001	CONSTRAINT,PLATEN,T8000	Part of item 2
4	211453-001	SCR,M4X16X.7,CHSH,LOW-PROFILE,STA/BKO (2)	Available only in Hardware Kit 258751-001
5	254428-901	SENSOR ASSY,LOWER,SL/T5R ENERGY SAVER	
6	203419-001	RING,E.,188	Part of item 2
7	171714-001	LEVER,DECK LOCK,THERMAL	Part of item 2
8	203513-001	SCREW,M3X4X.5,SBHCS,STL/ZN,ASTM A574M (2)	Available only in Hardware Kit 258751-001
9	173255-001	GUARD,MEDIA,PHASE3,8IN	
	173255-002	GUARD,MEDIA,PHASE3,6IN	
10	203414-001	WASHER,WAVE, .870 OD	Available only in Hardware Kit 258751-001

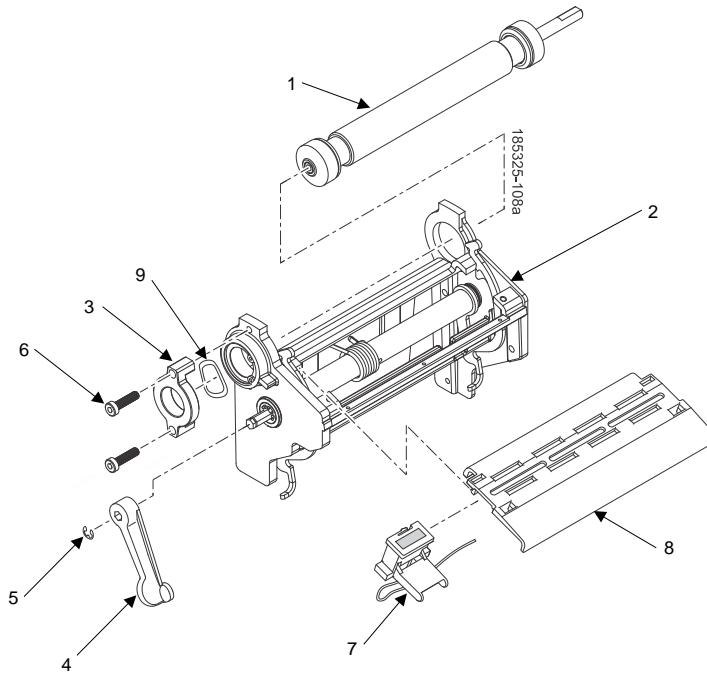


Figure 24 Four Inch Platen and Lower Support Assemblies

Item No.	Part No.	Description	Notes
1	178958-001	FIELD KIT,PLATEN ASSY,4IN(SILICON)	
2	258517-901	LOWER SUPPORT ASSY,T8X04	Includes items 3, 4, and 5
3	258462-001	CONSTRAINT,PLATEN,T8000	Part of item 2
4	171714-001	LEVER,DECK LOCK,THERMAL	Part of item 2
5	203419-001	RING,E.,188	Part of item 2
6	211453-001	SCR,M4X16X.7,CHSH,LOW-PROFILE, STA/BKO (2)	Available only in Hardware Kit 258751-001
7	254428-001	SENSOR ASSY,LOWER MEDIA	
8	178426-003	MEDIA GUARD,4IN	
9	203414-001	WASHER,WAVE,.870 OD	Available only in Hardware Kit 258751-001

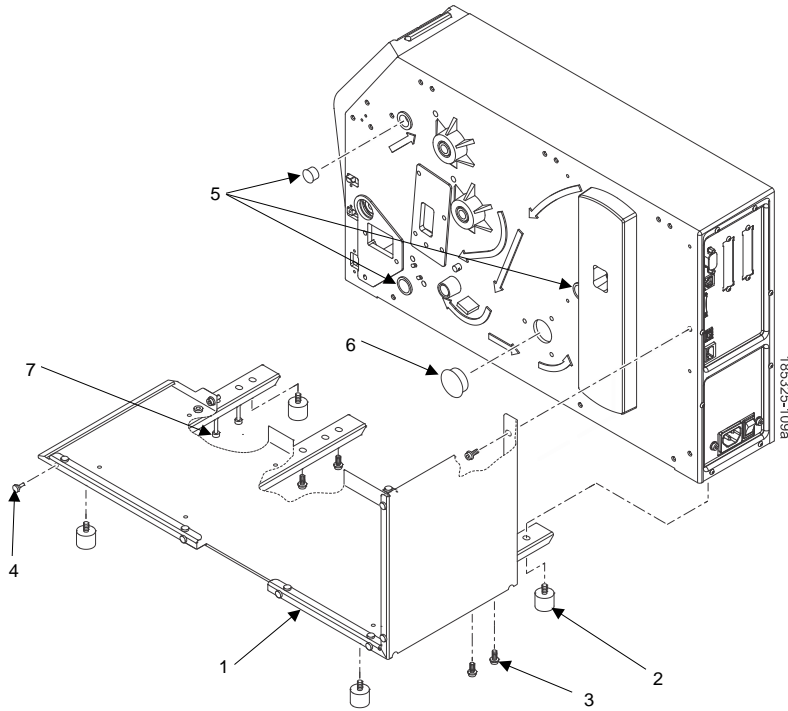


Figure 25 Frame and Base Pan Assembly

Item No.	Part No.	Description	Notes
1	258471-001	PAN ASSY,T8X08	
	258471-002	PAN ASSY,T8X06	
	258471-003	PAN ASSY,T8X04	
2	750659-001	PAD,RUBBER,THERMAL (4)	
3	203824-002	SCREW,M4 X 10,FLNG,SH,B18.3.1M,BLK (4)	Available only in Hardware Kit 258751-001
4	750923-001	BUTTON,DAMPING,THERMAL (11)	
5	203643-001	PLUG,.5IN,FRAME (3)	Available only in Hardware Kit 258751-001
6	211137-001	PLUG,DOME,NYLON,1IN,BK	
7	205057-002	SCREW,M4X25X.7,SHCS,STL/BK,TT,B18.3.1M (2)	

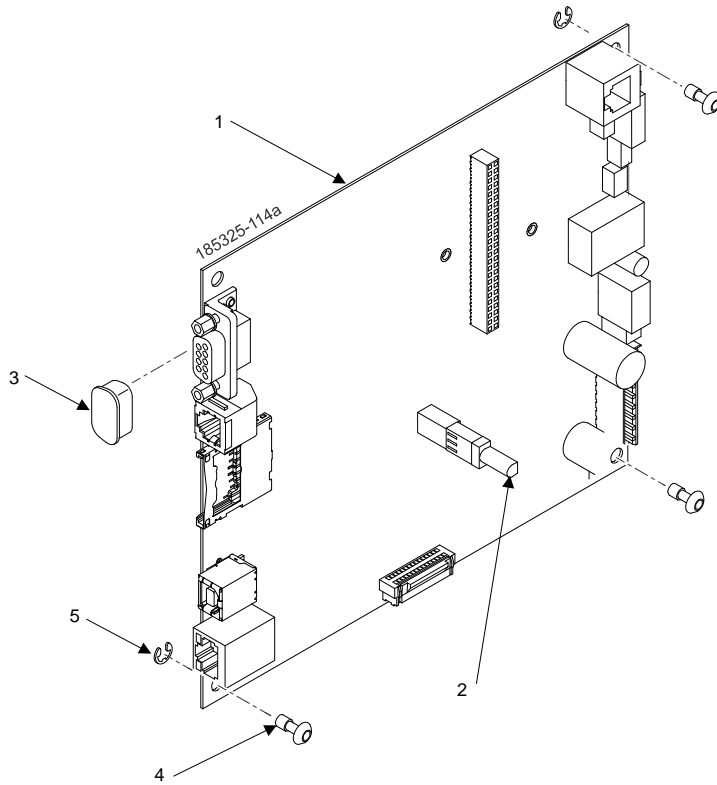


Figure 26a Controller PCBA (Version V1)

Item No.	Part No.	Description	Notes
1	258512-901	CONTROLLER ASSY,T8000 (Version V1)	Includes items 2 thru 5
2	254577-001	SECURITY KEY,BLANK,V2	Security key is programmed using a SPX
3	141490-002	DUST CAP,D-09 REC,CONDUCTIVE	
4	203711-001	SCREW,M4X10X.7,SBHCS-CAP,STL/ZN, B18.3.4M (3)	Also available in Hardware Kit 258751-001
5	203326-001	RING,RETAINING,E.,156 (3)	Also available in Hardware Kit 258751-001

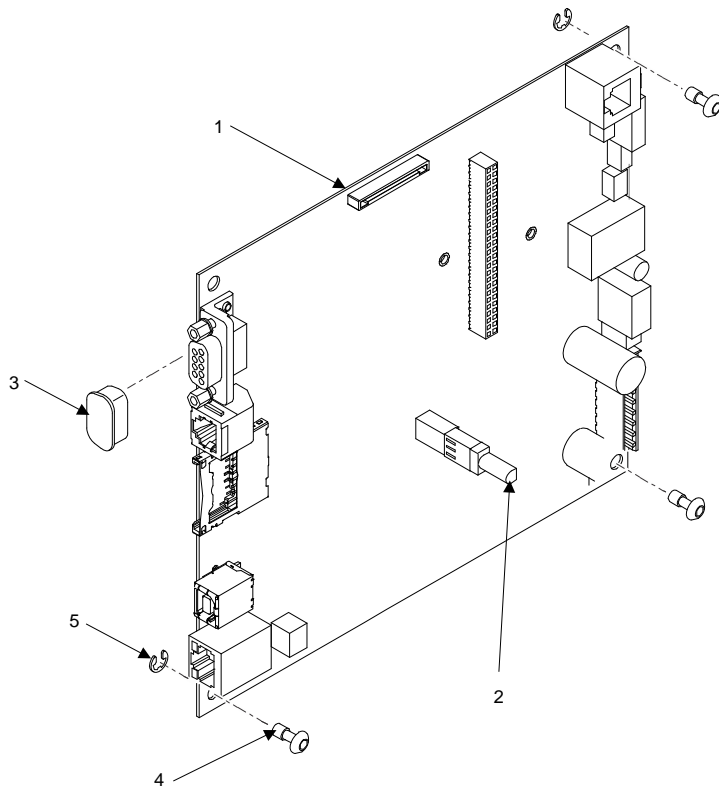


Figure 26b Controller PCBA (Version V2) (Supports Wifi Option)

Item No.	Part No.	Description	Notes
1	258973-901	CONTROLLER ASSY,T8, (Version V2)	Includes items 2 thru 5
2	254577-001	SECURITY KEY,BLANK,V2	Security key is programmed using a SPX
3	141490-002	DUST CAP,D-09 REC,CONDUCTIVE	
4	203711-001	SCREW,M4X10X.7,SBHCS-CAP,STL/ZN, B18.3.4M (3)	Also available in Hardware Kit 258751-001
5	203326-001	RING,RETAINING,E.,.156 (3)	Also available in Hardware Kit 258751-001

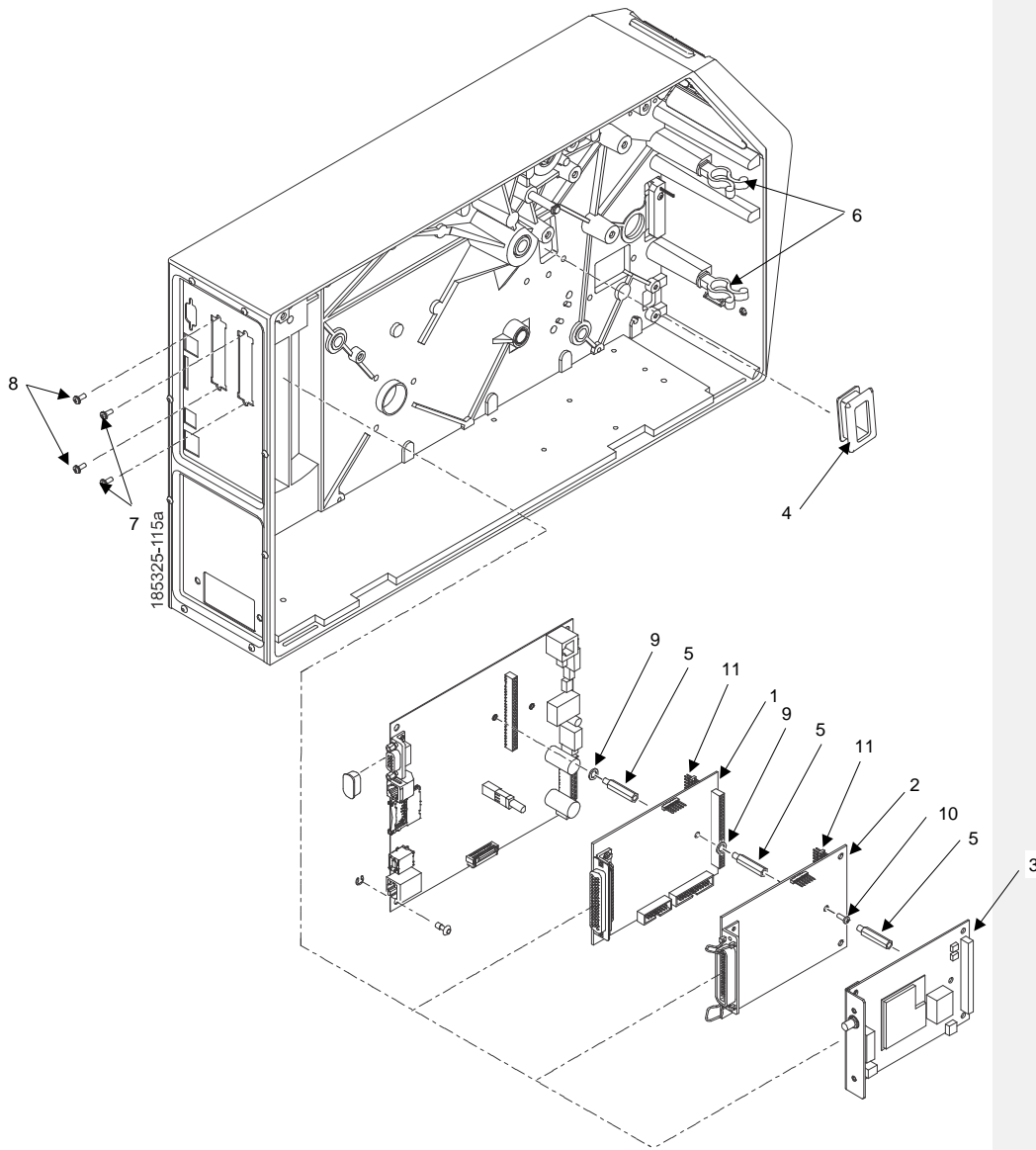


Figure 27 I/O Assemblies

Item No.	Part No.	Description	Notes
1	258411-001	PCBA,GPIO,T8	
2	258454-001	PCBA,PARALLEL PORT,IEEE 284	
3	258863-001	PCBA, WIFI CARD	
4	750906-001	GROMMET,RUBBER,THERMAL	
5	211463-001	STANDOFF,M-F,SS,M3	Available only in Hardware Kit 258751-001
6	211457-001	CLAMP,CABLE,BHKL-450-6-01 (4)	
7	102559-405	SCR,4-40-5/16,PHCRI/LTE,STM/ZNB, B18.13 (4)	Available only in Hardware Kit 258751-001
8	202434-001	STANDOFF KIT,4-40X3/16,M/F	Available only in Hardware Kit 258751-001
9	211470-001	WASHER,,120X.220X.020,NYLON	
10	211471-001	SCR,M3X6X.7,BHCR,NYLON	
11	211411-001	CONN,BRD STACKER,50PIN,DUAL ROW,ST,LF	

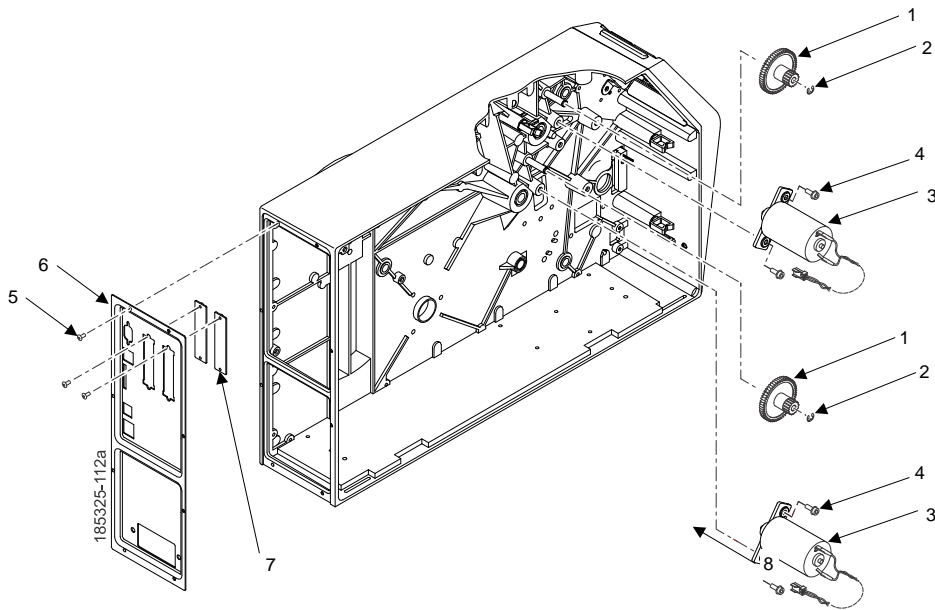


Figure 28 Screen, Gears, and Ribbon Drive Motors

Item No.	Part No.	Description	Notes
1	750568-001	GEAR,RBN DRV,INTERMEDIATE,THERMAL (2)	
2	203419-001	RING,E.,188 (2)	Available only in Hardware Kit 258751-001
3	178240-001	MOTOR ASSY,DC,CANON,THERMAL (2)	
4	204002-001	SCREW,M4X12X.7,SFHCS,STL BK,ANSI B18.3.1M (2 per motor)	Available only in Hardware Kit 258751-001
5	203281-001	SCREW,M3X6X.5,SBHCS,SS,ASTM F880M (12)	Available only in Hardware Kit 258751-001
6	258288-001	PANEL,REAR,T8000	
7	177855-001	PLATE,BLANK, THERMAL (2)	

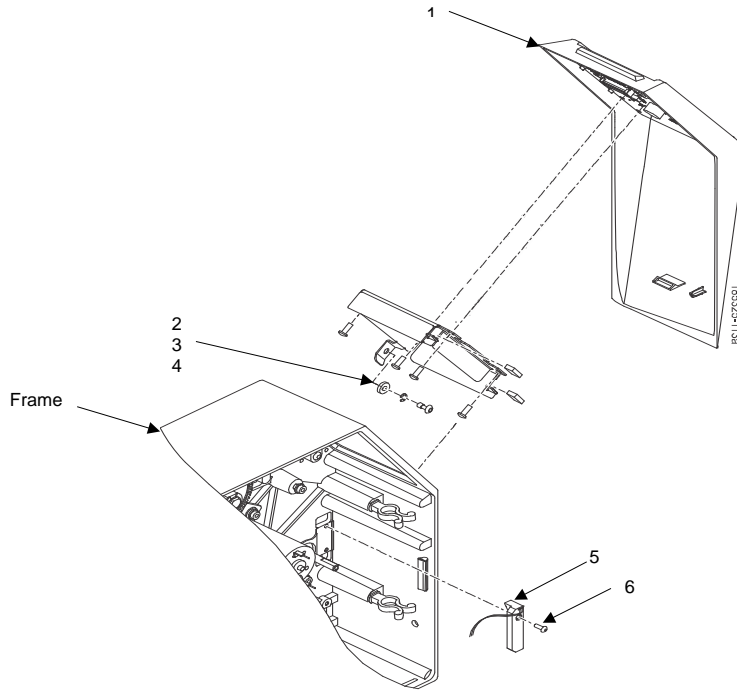


Figure 29a Control Panel Assembly (Version V1)

Item No.	Part No.	Description	Notes
1	258425-901	CONTROL PANEL ASSY,T8,V1	Includes items 2, 3, 4
2	211469-001	WASHER,.172X.405X.090,FL,STL/ZNB	
3	203326-001	RING,RETAINING,E,.156	
4	203711-001	SCREW,M4X10X.7,SBHCS-CAP,STL/ZN, B18.3.4M	
5	258345-001	SENSOR,LABEL TAKEN,FRAME MNTD,THERMAL	
6	203251-001	SCREW,M3X8X.5,SBHCS,SS,ASTM F880M	Available only in Hardware Kit 258751-001

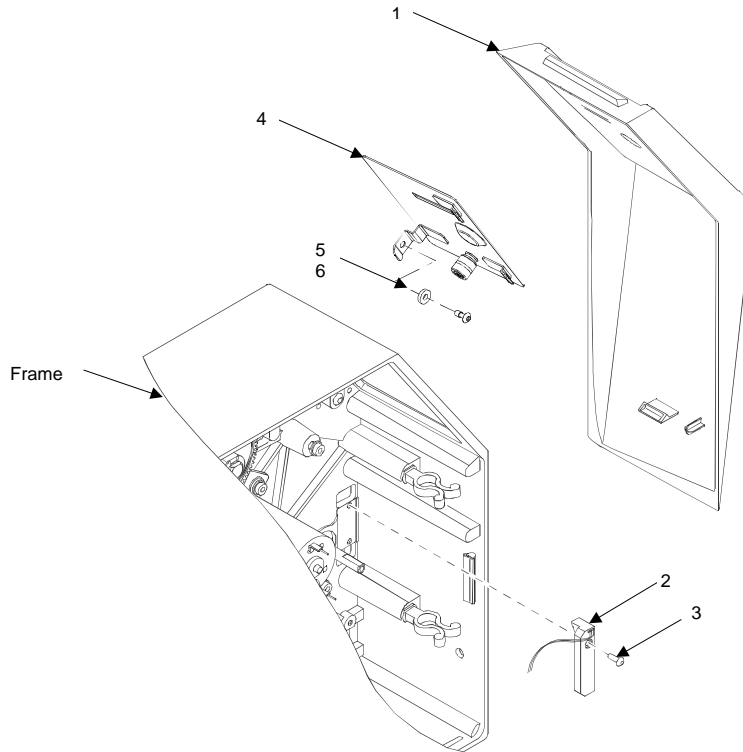


Figure 30b Control Panel Assembly (Version V2)

Item No.	Part No.	Description	Notes
1	258955-901	CONTROL PANEL ASSY,T8,V2	
2	258345-001	SENSOR,LABEL TAKEN,FRAME MNTD,THERMAL	
3	203251-001	SCREW,M3X8X.5,SBHCS,SS,ASTM F880M	Available only in Hardware Kit 258751-001
4	258957-001	BRACKET,CONTROL PANEL,LOWER (FRAME INSERT) ,T8,V2	
5	211469-001	WASHER,.,172X.405X.090,FL,STL/ZNB	
6	203711-001	SCREW,M4X10X.7,SBHCS-CAP,STL/ZN, B18.3.4M	

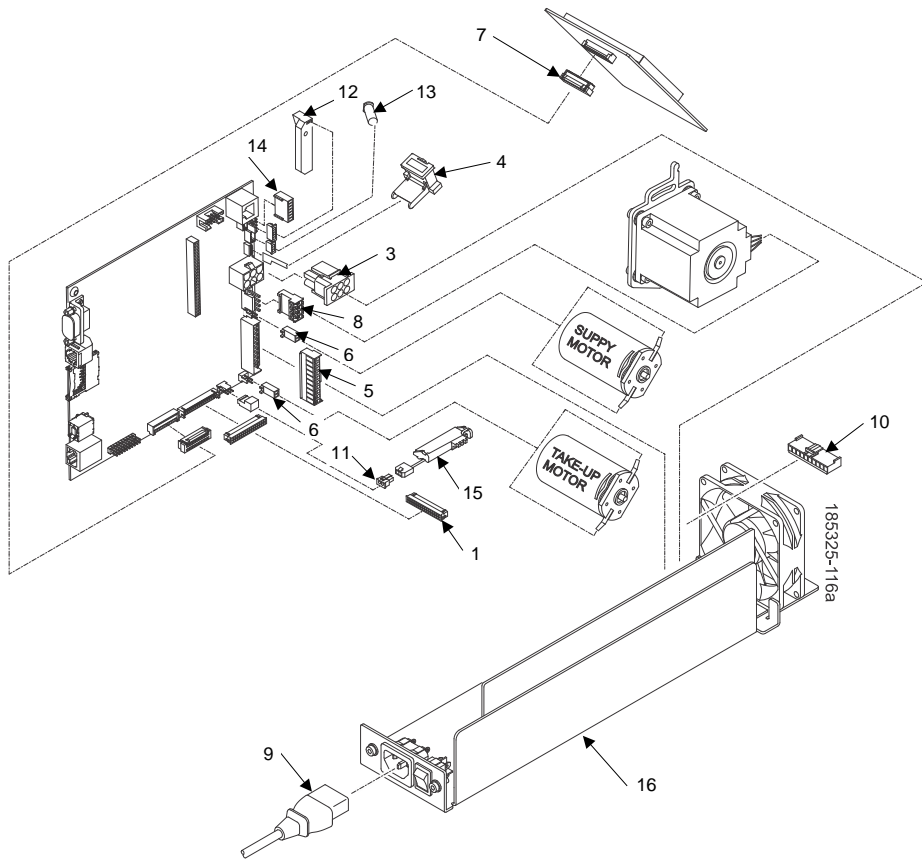


Figure 31 Cable Assemblies and Interconnections

Item No.	Part No.	Description	Notes
1	258433-001	CABLE ASSY,PRTHD INTFC,T8000	
3	REF	CABLE ASSY,POWER SUPPLY TO CONTROLLER PCBA,J17	Part of item 16
4	254428-001	SENSOR ASSY,LOWER MEDIA	
5	REF	CABLE ASSY,POWER SUPPLY TO CONTROLLER PCBA,J5	Part of item 16
6	750570-001	CABLE ASSY,DC MOTOR TO CONTROLLER PCBA,J8 & J16	
7	258434-001	CABLE ASSY,DISPLAY INTFC,T8000,V1	
	211496-001	CABLE ASSY,DISPLAY INTFC,T8000,V2	
8	172807-001	CABLE ASSY,STEPPER MOTOR TO CONTROLLER PCBA,J14	
9	102512-001	POWER CORD,125V/10A,8FT	
	102512-004	POWER CORD,250V,6A,DETACHABLE	
	102512-007	POWER CORD,240V,6A/10A,UK,DETACHABLE	
10	REF	CABLE ASSY,POWER SUPPLY TO PRINthead	Part of item 16
11	175116-001	CABLE,UPPER MEDIA SENSOR,THERMAL	
12	258345-001	SENSOR,LABEL TAKEN,FRAME MNTD,THERMAL	
13	171746-001	SWITCH,HEAD UP/DOWN,THERMAL	
14	172698-001	CABLE ASSY,CUTTER DRIVER,TH	
15	250309-001	COVER/UPPER MEDIA SENSOR ASSY,8IN	
	250309-002	COVER/UPPER MEDIA SENSOR ASSY,6IN	
	250309-003	COVER/UPPER MEDIA SENSOR ASSY,4IN	
16	258283-001	POWER SUPPLY,T8X04,5V	
	258284-001	POWER SUPPLY,T8X06/8,5V	

Hardware Field Kit

Hardware Field Kit 258751-001 contains an assortment of fasteners and components used in the T8 printer and some options. Contents of the kit are listed below.

Part No.	Description	Qty
101480-001	TIE-WRAP,4 INCH	10
102559-405	SCREW,4-40X5/16,PHCRI/LTE,STM/ZNB	2
202434-001	STANDOFF KIT,4-40X3/16,MF	1
203225-001	WASHER,.317X.500X.032,FL,NYLON	2
203251-001	SCREW,M3X8X.5, SBHCS,SS,ASTM F880M	1
203254-001	SCREW,M5X16X.8, SBHCS,SS	2
203278-001	RING,RETAINING,E.,.375	3
203281-001	SCREW,M3X6X.5, SBHCS,SS,ASTM	14
203326-001	RING,RETAINING,E.,.156	2
203414-001	WASHER,WAVE,.,870 OD	1
203419-001	RING,E.,.188	2
203431-001	WASHER,CURVED,.,194 ID	1
203510-001	WASHER,.,750X.443X.032,FL,NYLON	2
203513-001	SCREW,M3X4X.5, SBHCS,STL/ZN,ASTM	6
203514-001	SCREW,M3X6X.5, SBHCS,SS,ASTM	2
203523-001	WASHER,.,380X.683X.031,FL,NYLON	2
203526-001	WASHER,.,390X.656X.020,FL,SS304	1
203527-001	CLIP,EMI	4
203539-001	STRAPPING,CONTRAX	.002
203643-001	PLUG,5IN,FRAME	3
203711-001	SCREW,M4X10X.7, SBHCS,CAP,STL/ZNASTM	3
203824-002	SCREW,M4X10,FLNG,SH,B18.3.1M,BLK	23
204002-001	SCREW,M4X12X.7,SFHCS,STLBK,ANSIB18.3.1M	8
204014-001	SCREW,M5X10X.8, SBHCS,SS,ASTM F880M	3
204420-001	SCREW,THUMB,M5X16	2
205057-002	SCREW,M4X25X.7,SHCS,STL/BK,TT,B18.3.1M	2
210396-001	WASHER,FLAT,M4,STL,ZN	4
211203-001	SCREW,M4X10X.7,CHSH,STA/BKO,AEB18.3.1M	1
211203-002	SCREW,M4X14X.7,CHSH,STA/BKO,AEB18.3.1M	4
211453-001	SCREW,M4X16X.7,CHSH,LOW-PROFILE,STA/BKO	2
211457-001	CLAMP,CABLE,BHKL-450-6-01	4
211463-001	STANDOFF,M-F,SS,M3	2
211471-001	SCREW,M3X6X.7,BHCR,NYLON	3

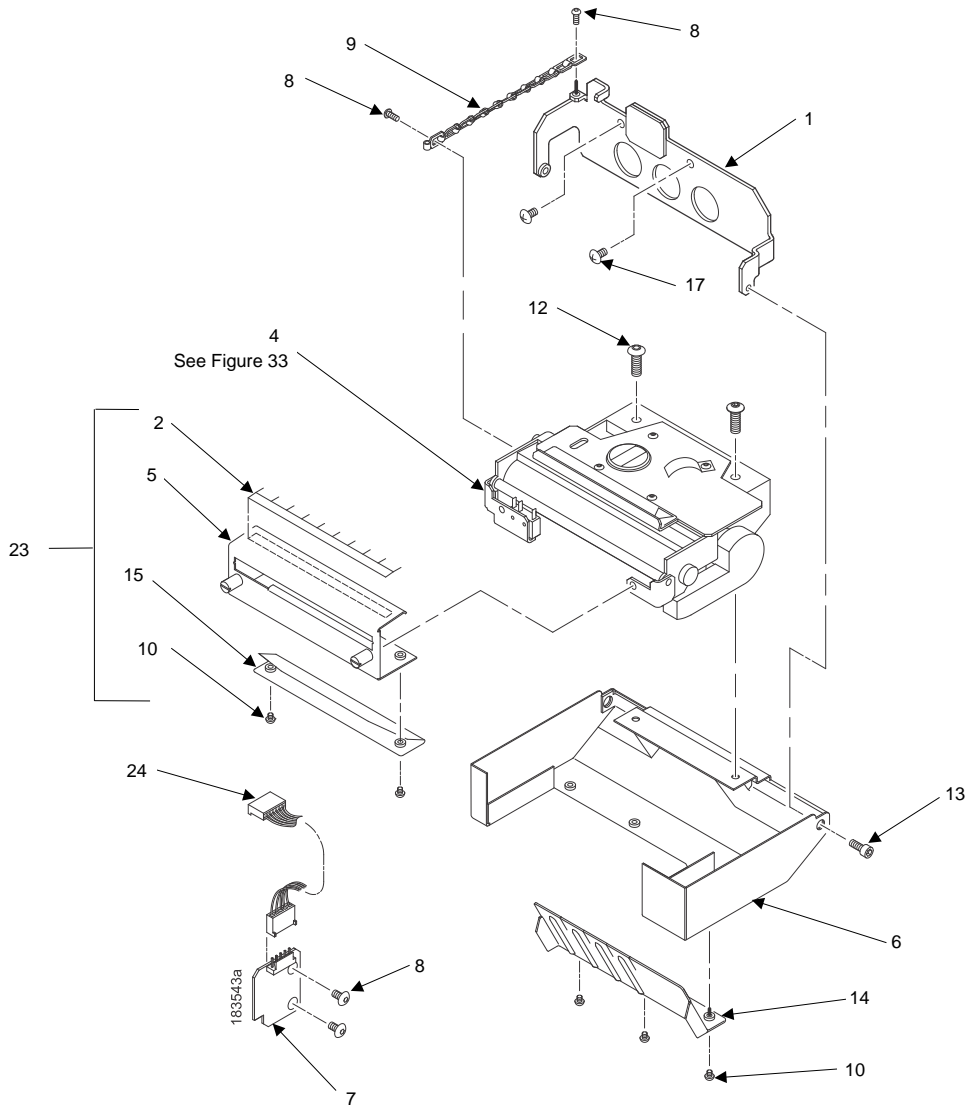


Figure 32 Heavy Duty Cutter Spare Parts

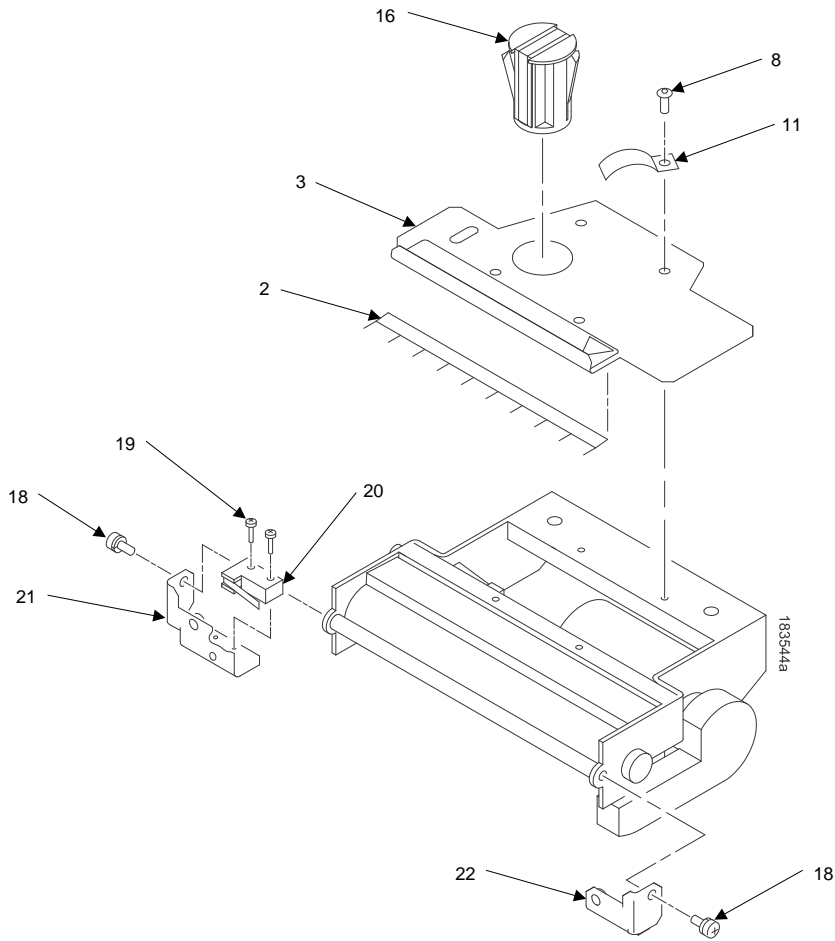


Figure 33 Heavy Duty Cutter Spare Parts

Item No.	Part No.	Description	Notes
	258615-003	FIELD KIT,CUTTER,T8X04	Includes all items shown in Figure 32 and Figure 33.
	258615-002	FIELD KIT,CUTTER,T8X06	
	258615-001	FIELD KIT,CUTTER,T8X08	
1	258525-001	BRACKET,CUTTER,T8X04	
	172432-001	BRACKET,CUTTER,6 IN	
	172433-001	BRACKET,CUTTER,8 IN	
2	204395-003	ANTI-STATIC BRUSH,4.52 IN (115 MM),TH	Part of items 4 and 23. Two required.
	204395-002	ANTI-STATIC BRUSH,6.69 IN (170 MM),TH	
	204395-001	ANTI-STATIC BRUSH,8.66 IN (220 MM),TH	
3	172436-003	BRACKET,GUIDE,CUTTER,4 IN	Includes warning label and item 2. Also part of item 4.
	172436-002	BRACKET,GUIDE,CUTTER,6 IN	
	172436-001	BRACKET,GUIDE,CUTTER,8 IN	
4	258526-001	CUTTER ASSY,HD,T8X04	Includes 1 motor, 2 labels, 3 switches, and items 2, 3, 8,11, 12, 16, 18, 19, 20, 21 and 22.
	258527-001	CUTTER ASSY,HD,T8X06	
	258528-001	CUTTER ASSY,HD,T8X08	
5	174761-003	COVER,HEAVY DUTY CUTTER,4 IN	Part of item 23.
	174761-002	COVER,HEAVY DUTY CUTTER,6 IN	
	174761-001	COVER,HEAVY DUTY CUTTER,8 IN	
6	258524-003	HOUSING,HD CUTTER,T8X04	
	258524-002	HOUSING,HD CUTTER,T8X06	
	258524-001	HOUSING,HD CUTTER,T8X08	
7	250095-001	PCBA,CUTTER DRIVER,THERMAL,V4	
8	203251-001	SCREW,M3X8X.5,SBHCS,SS,ASTM F880M	Part of item 4
9	172529-901	CHAIN,SUPPORT,CUTTER,SPARE	
10	203513-001	SCREW,M3X4X.5,SBHCS,STL/ZN,ASTM A574M	Part of item 23.
11	203715-001	FINGER,GROUND,CUTTER,TH	Part of item 4
12	203254-001	SCREW,M5X16X.8,SBHCS,SS,ASTM F880M	Part of item 4
13	203252-001	SCREW,M4X10X.7,SHCS,STL/ZN,ANSI B18.3.1M	Part of item 24
14	174229-003	GUIDE,LOWER,HD CUTTER,4 IN	
	174229-001	GUIDE,LOWER,HD CUTTER,6 IN	
	174229-001	GUIDE,LOWER,HD CUTTER,8 IN	
15	174998-003	GUIDE,COVER,CUTTER,4 IN	
	174998-002	GUIDE,COVER,CUTTER,6 IN	
	174998-001	GUIDE,COVER,CUTTER,8 IN	
16	203646-001	CATCH,MAGNETIC,ROUND	Part of item 4. Only one is used on the 4 inch cutter.
17	204014-001	SCREW,M5X105.8,SBHCS,SS,ASTM F880M	
18	REF	SCREW,M3X8X.5,SBHCS,SS,ASTM F880M (2)	Part of item 4.
19	140988-005	SCREW,M2X8,PNG,PHH,STL/ZN PL (2)	Part of item 4.

Item No.	Part No.	Description	Notes
20	204387-001	MICRO-SWITCH,HEAVY DUTY CUTTER	Part of item 4.
21	174765-001	BRACKET,LH,HEAVY DUTY CUTTER	Part of item 4.
22	174762-001	BRACKET,RH,HEAVY DUTY CUTTER	Part of item 4.
23	175518-001	FIELD KIT,ENCLOSURE,CUTTER,UPPER,HD,4 IN	Includes items 2, 5, 10, and 15.
	175512-001	FIELD KIT,ENCLOSURE,CUTTER,UPPER,HD,6 IN	
	175513-001	FIELD KIT,ENCLOSURE,CUTTER,UPPER,HD,8 IN	
24	172698-001	CABLE ASSY,CUTTER DRIVER,TH	

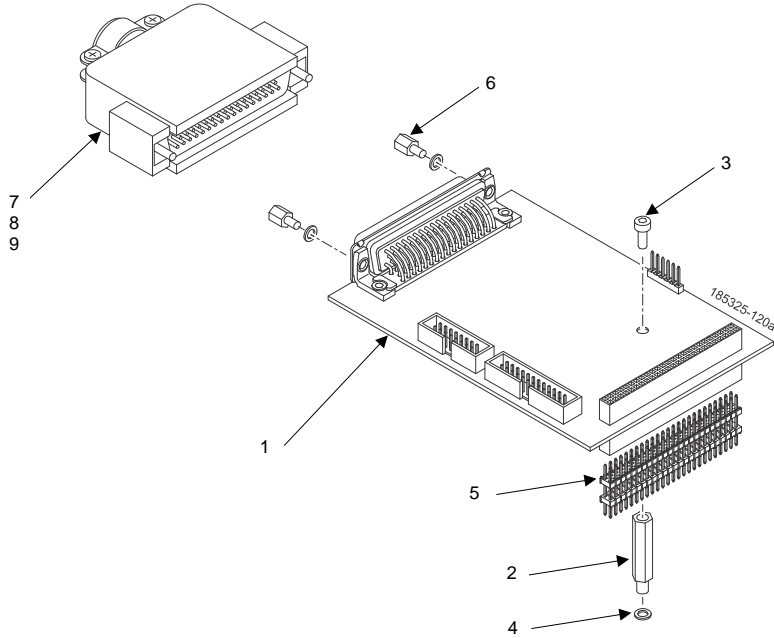


Figure 34 GPIO Spare Parts

Item No.	Part No.	Description	Notes
	258633-901	OPTION KIT,GPIO,T8	Includes all items shown in <i>Figure 34</i>
1	258411-001	PCBA,GPIO,T8	
2	211463-001	STANDOFF,M3X25,M-F,SS	
3	211471-001	SCR,M3X6X.7,BHCR,NYLON	
4	211470-001	WASHER,.120X.220X.020,NYLON	
5	211411-001	CONN,BRD STACKER,50PIN,DUAL ROW,ST,LF	
6	202434-001	STANDOFF KIT,4-40X3/16,M/F	Also available in Hardware Kit 258751-001
7	205228-001	CONN,D-SUB,50PIN,SLDR CUP,MALE	
8	205226-001	COVER,BACKSHELL,D-SUB,50 PIN	
9	204835-001	GROMMET SET,D-SUB 50 PIN	

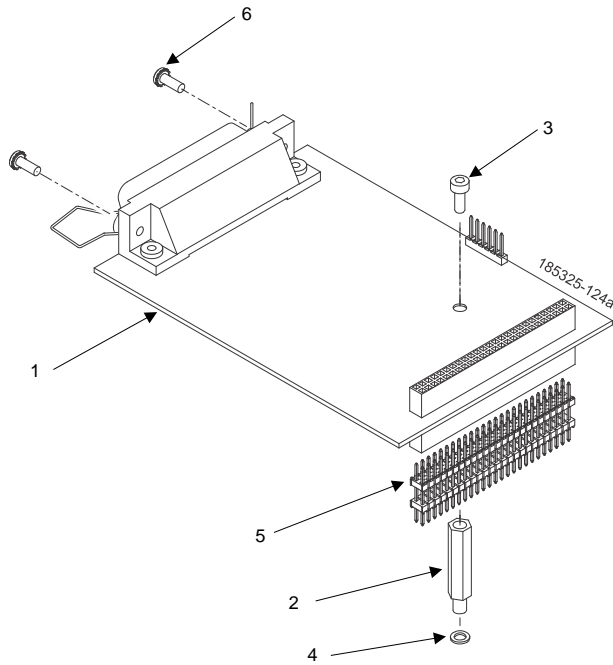


Figure 35 Parallel Port Spare Parts

Item No.	Part No.	Description	Notes
	258634-901	OPTION KIT,PARALLEL PORT,T8	Includes all items shown in <i>Figure 35</i>
1	258454-001	PCBA,PARALLEL PORT,IEEE1284	
2	211463-001	STANDOFF,M3X25,M-F,SS	
3	211471-001	SCR,M3X6X.7,BHCR,NYLON	
4	211470-001	WASHER,.120X.220X.020,NYLON	
5	211411-001	CONN,BRD STACKER,50PIN,DUAL ROW,ST,LF	
6	102559-405	SCR,4-40X5/16,PHCRI/LTE,STM/ZNB,B18.13 (2)	Also available in Hardware Kit 258751-001

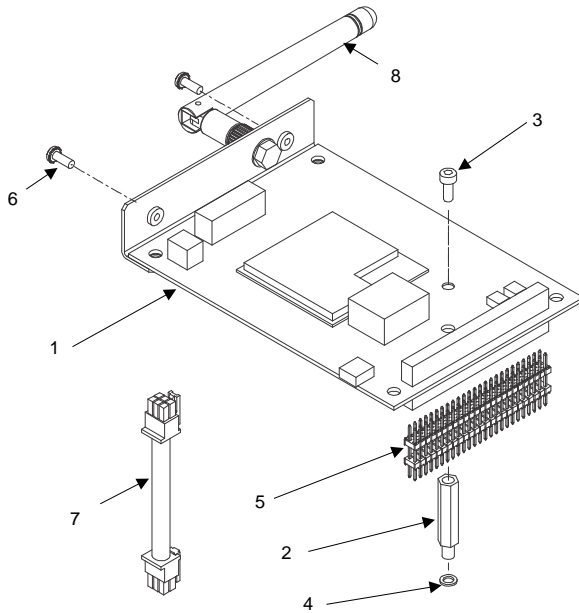
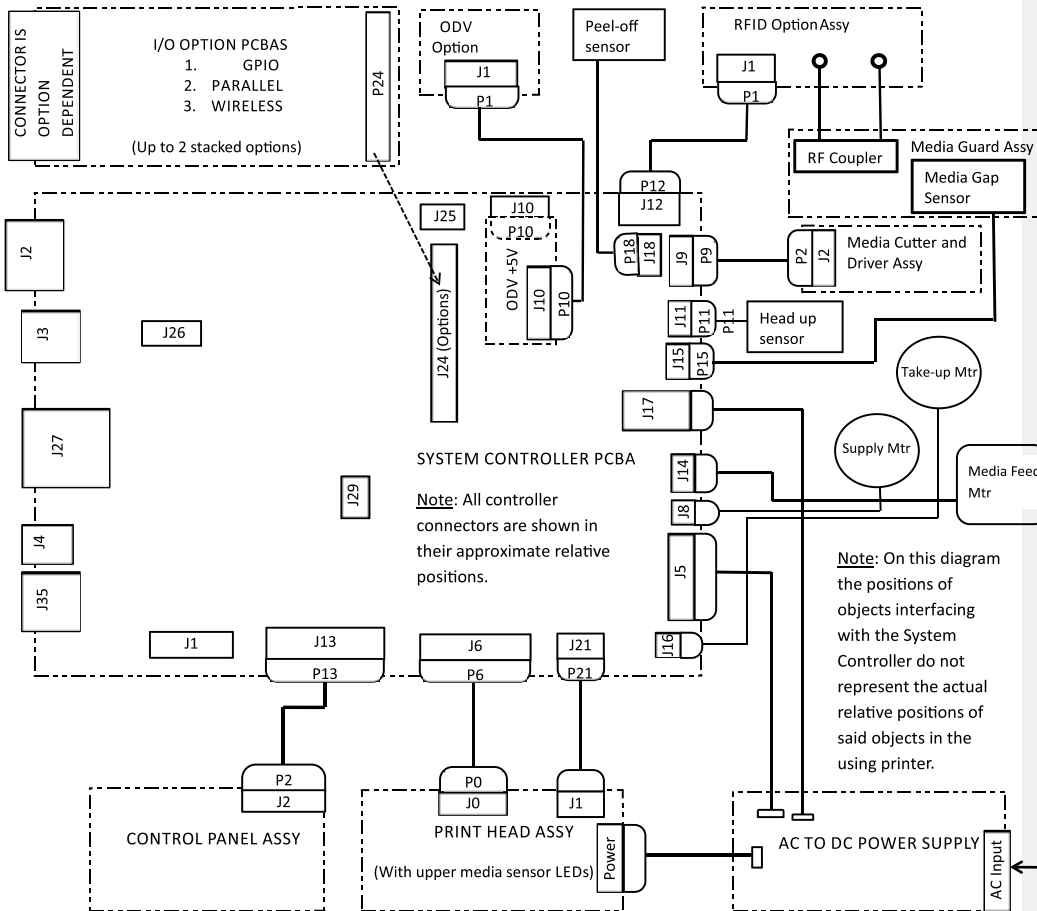


Figure 36 Wireless WIFI Card Spare Parts

Item No.	Part No.	Description	Notes
	258637-901	OPTION KIT,WIRELESS CARD,T8	Includes all items shown in <i>Figure 35</i>
1	258863-001	PCBA,WIFI	
2	211463-001	STANDOFF,M3X25,M-F,SS	
3	211471-001	SCR,M3X6X.7,BHCR,NYLON	
4	211470-001	WASHER,.120X.220X.020,NYLON	
5	211411-001	CONN,BRD STACKER,50PIN,DUAL ROW,ST,LF	
6	203281-001	SCR,M3x6X.5 SSBHCS,SS,ASTM (2) (NOT SHOWN)	Also available in
7	259014-001	CABLE ASSY,WIFI	Hardware Kit 258751-001
8	211522-001	ANTENNA,DIPOLE,2.4/5GHZ,2DB,SMARP	

A Wire Data

T8 System Interconnect Diagram (PN 258512-001 Version V1 Controller) **NOTE:** Version V2 Controller PN 258971-001 has 41 pin J13 Control Panel Connector located to the left of J25 Connector



System Controller Interface Connectors

Jack ref	Pins	Function
J1	20	Not used
J2	9	Host RS232, DB9
J3	6	S/W Debug, RJ25
J4	4	USB
J5	10	P/S +5V & Control
J6	34	Print Head Signal
J8*	2	Rib Supply Mtr
J9	7	Media Cutter
J10	10	ODV
J11	3	Head Open (Up)
J12	6	RFID, RJ25
J13*	30	Control Panel
J14	4	Media Feed Mtr
J15	6	Gap Sensor (flex)
J16*	2	Rib Take-up Mtr
J17	6	P/S +24V, +48V
J18	5	Peel-off Sensor
J21	3	Media Sensor LEDs
J24	50	Options Interface
J25	4	Not used
J26	10	Not used
J27	10	SD Memory
J29	3	Security Key
J35	8	Ethernet, RJ45

NOTE: J8 and J16 connectors are the same type. Be sure the two associated ribbon motors are connected properly. J13 on 258971-001 Version V2 Controller PCBA has 41 pins.

T8 System Interconnect Connector Pin-outs

J2 Host RS232	
Pin #	Signal Name
1	DCD
2	RXD
3	TXD
4	DTR
5	GND
6	DSR
7	RTS
8	CTS
9	N/C

J9 Media Cutter	
Pin #	Signal Name
1	24 Volts
2	GND
3	5 Volts
4	Media_Cut_Run
5	Media_Cut_Dir
6	Cut_Done
7	Ncut_Ena

J14 Media Feed Mtr	
Pin #	Signal Name
1	PHA
2	<u>PHA</u>
3	PHB
4	<u>PHB</u>

J4 USB	
Pin #	Signal Name
1	VBus
2	D-
3	D+
4	GND

J5 Power Supply +5 V & Cnt	
Pin #	Signal Name
1	GND
2	5 Volts (TP41)
3	24 VON
4	N_ESM
5	PS_ID0
6	NFAN
7	NTEMP_HI
8	PS_ID1
9	5 Volts (TP41)
10	GND

J8 and J16 Ribbon Motors	
Pin #	Signal Name
1	R_OUT (1, 2) A
2	R_OUT (1, 2) B

J27 SD Memory	
Pin #	Signal Name
1	SD3_DAT3
2	SD3_CMD
3	VSS1 (GND)
4	VDD (3.3 V)
5	SD3_CLK
6	VSS2 (GND)
7	SD3_DAT0
8	SD3_DAT1
9	SD3_DAT2

J10 ODV (On Controller)	
Pin #	Signal Name
1	PEEL
2	GND
3	ODV_TXD
4	GND
5	ODV_RXD
6	F_24 Volts
7	Page_Sync
8	F_24 Volts
9	Line_Sync
10	Mark_Sync

J11 Head Open	
Pin #	Signal Name
1	GND
2	HEAD_UP
3	GND

J12 RFID	
Pin #	Signal Name
1	GND
2	GND
3	RFID RXD
4	RFID TXD
5	GND
6	24 Volts

J35 Ethernet RJ45	
Pin #	Signal Name
1	TD+
2	TD-
3	RD+
4	CT_T
5	CT_R
6	RD-
7	N/C
8	Chassis

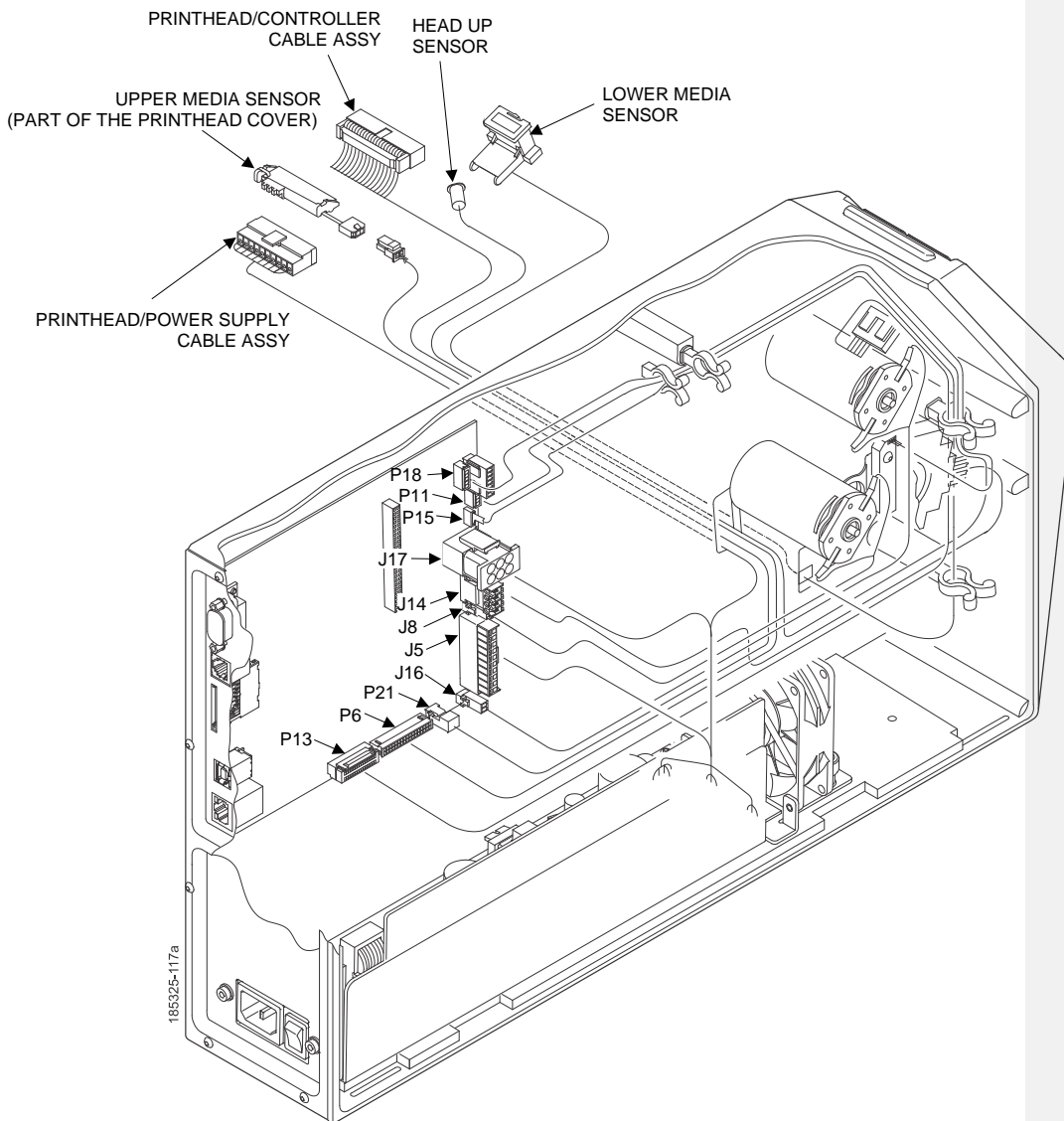
J15 Gap Sensor (flex)	
Pin #	Signal Name
1	LED Supply
2	LED Rtn
3	4.2 Volts
4	GND
5	MG_SENSOR
6	Negative 5 volts

J17 Power Supply 24V, 48V	
Pin #	Signal Name
1	48 Volts (TP39)
2	GND
3	24 Volts (TP42)
4	48 Volts (TP39)
5	GND
6	24V_SW

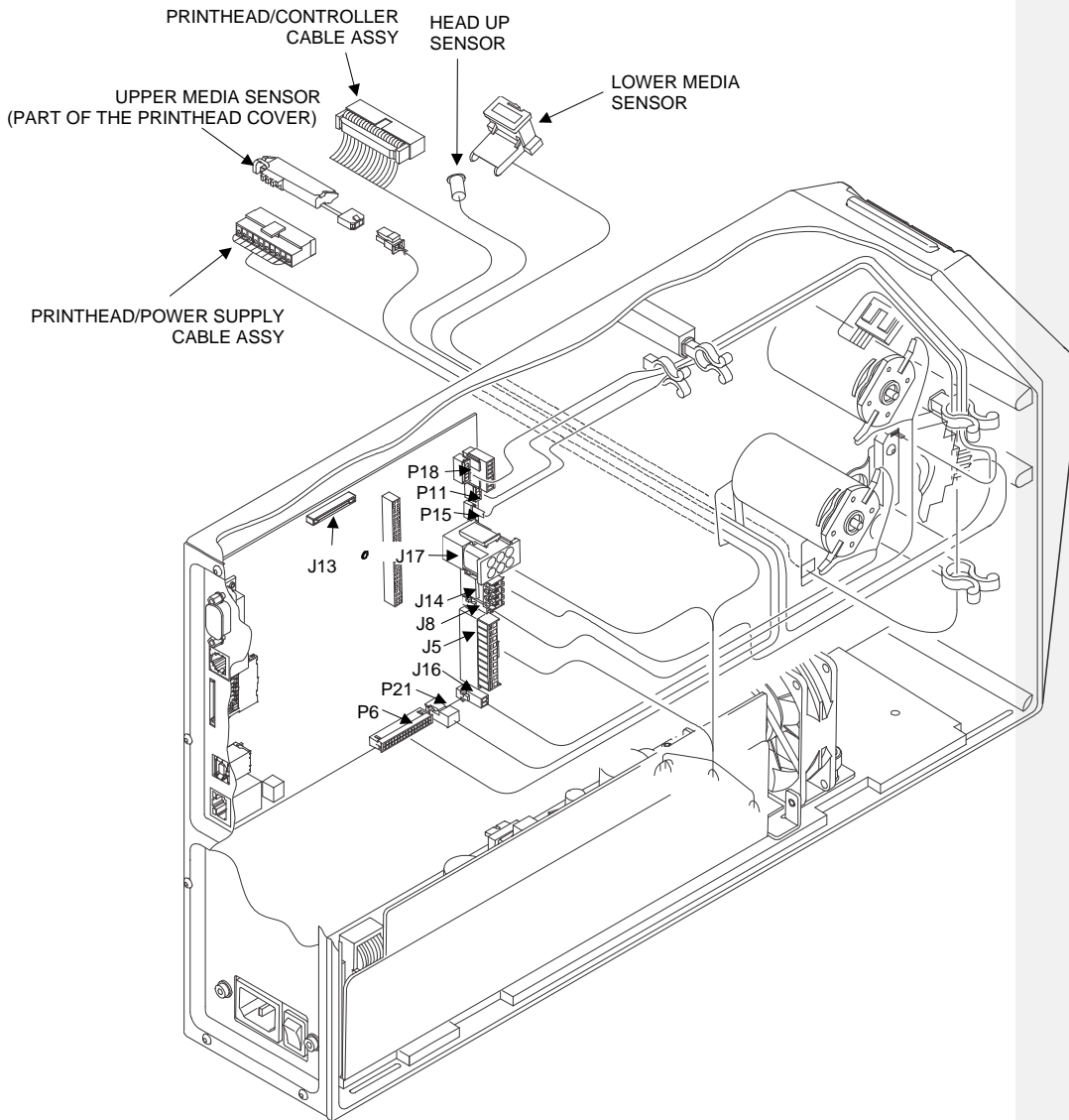
J18 Peel-off Sensor	
Pin #	Signal Name
1	5 Volts
2	PEEL
3	GND
4	N/C
5	N/C

J21 Media Sensor LEDs	
Pin #	Signal Name
1	Sens_LED_Rtn
2	Sens_LED_Sply
3	Sens_LED_Rtn

Cable Routing (Version V1 Controller PCBA)

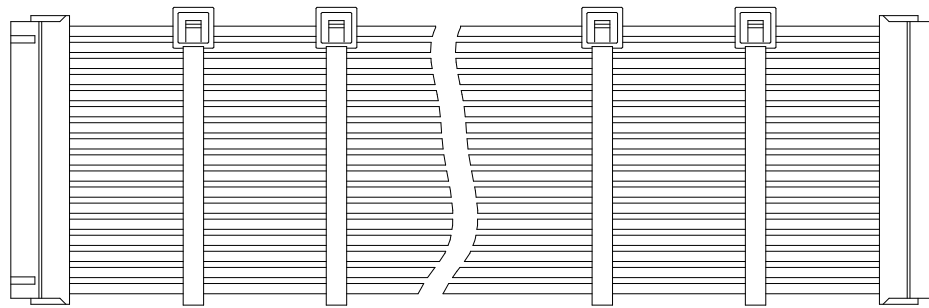


Cable Routing (Version V2 Controller PCBA)



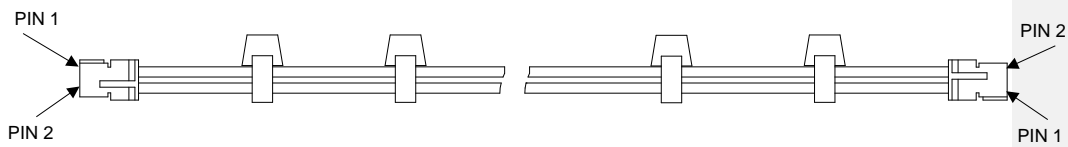
Cable Assembly, Printhead/Controller

258433-001



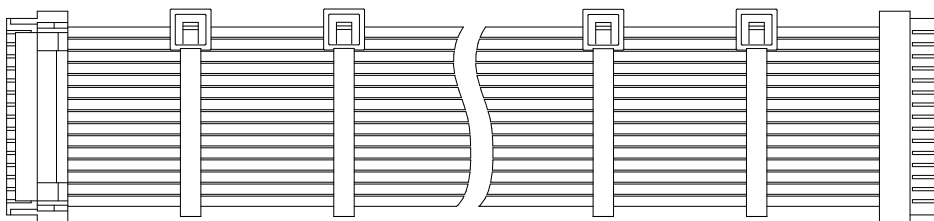
P6

P0



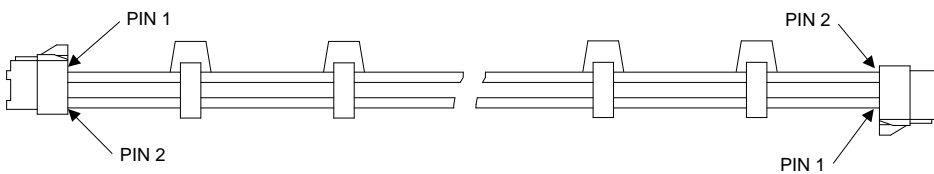
Cable Assembly, Control Panel (Version V1)

258434-001



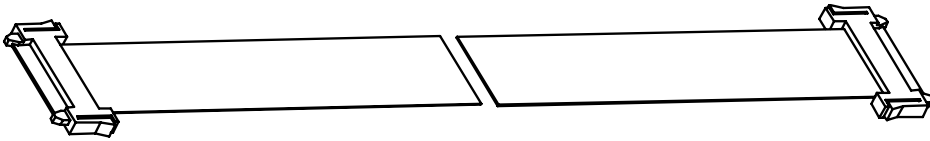
P2

P13

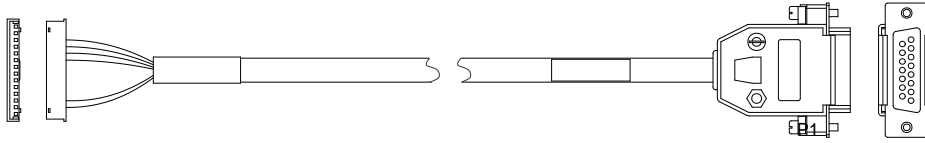


Cable Assembly, Control Panel (Version V2)

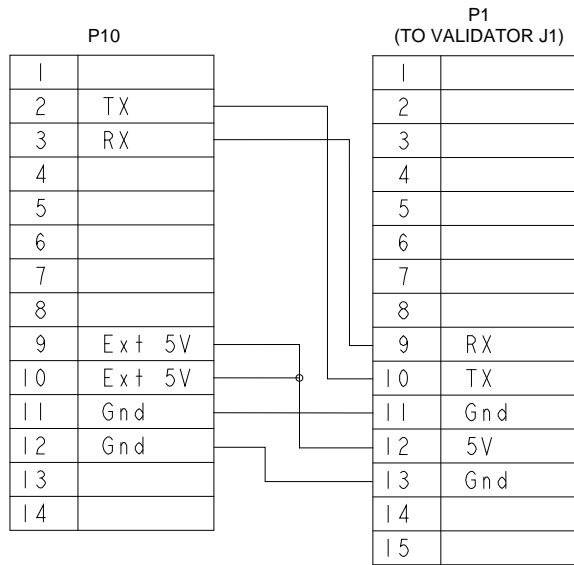
211496-001



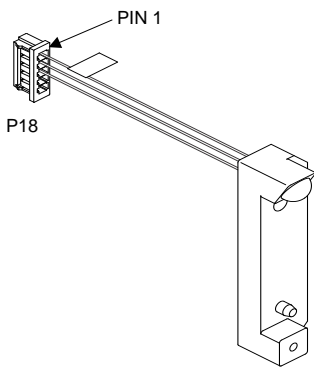
Cable Assy, PV100-2 ODV to ODV Interface PCBA
253617-001



P10

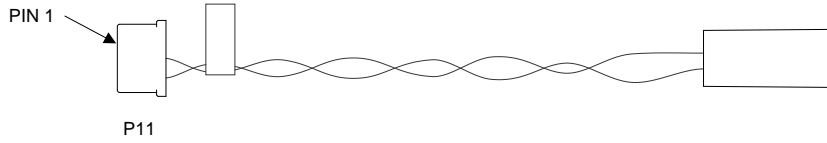


Sensor, Label Taken
258345-001



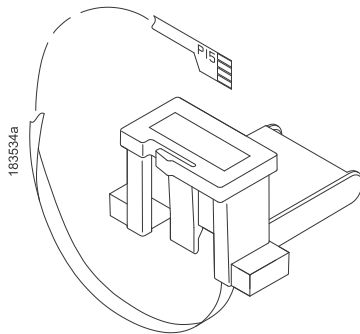
Wire Table		
Pin	Signal	Wire Color
1	Vcc	Red
2	Vout	Blue
3	Ground	Black
4		N/A
5		N/A

Sensor, Head Up
171746-001



WIRE TABLE		
PIN	SIGNAL	WIRE COLOR
1	N/A	N/A
2	Vout	White
3	Ground	White

Media Sensor Assembly, Lower
254428-001



T8000 Wire Table	
P15 Pin	SIGNAL
1	REF LED DRIVE
2	REF LED SINK
3	VDD
4	GND
5	MG SENSOR
6	VEE

