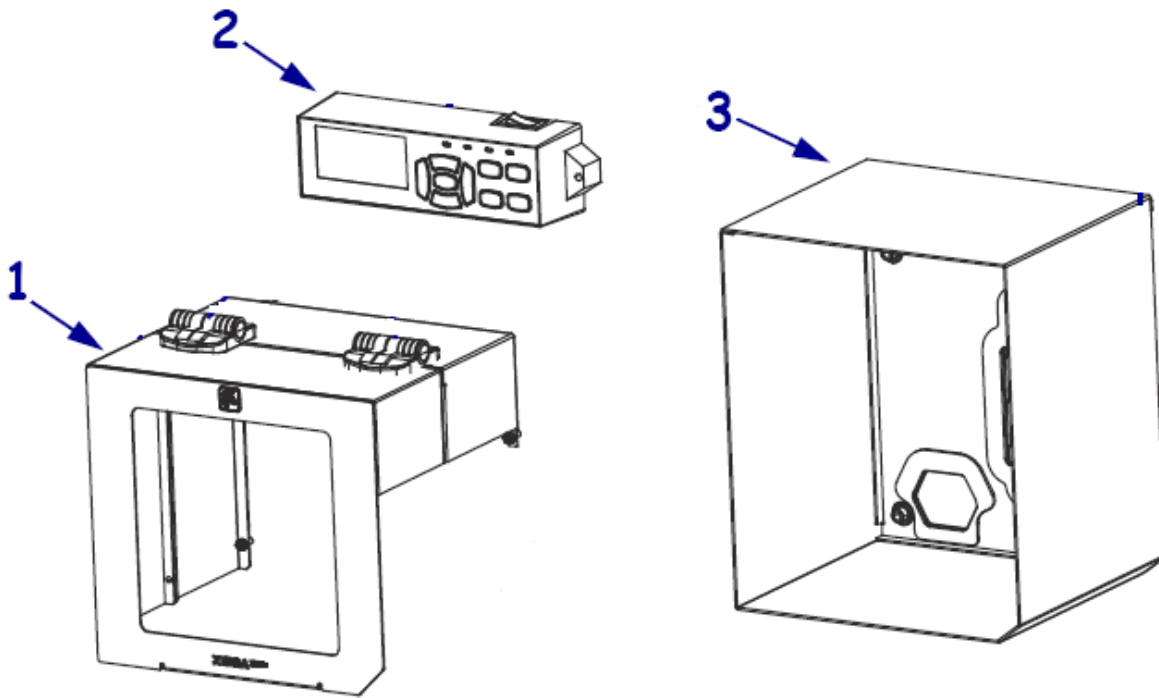
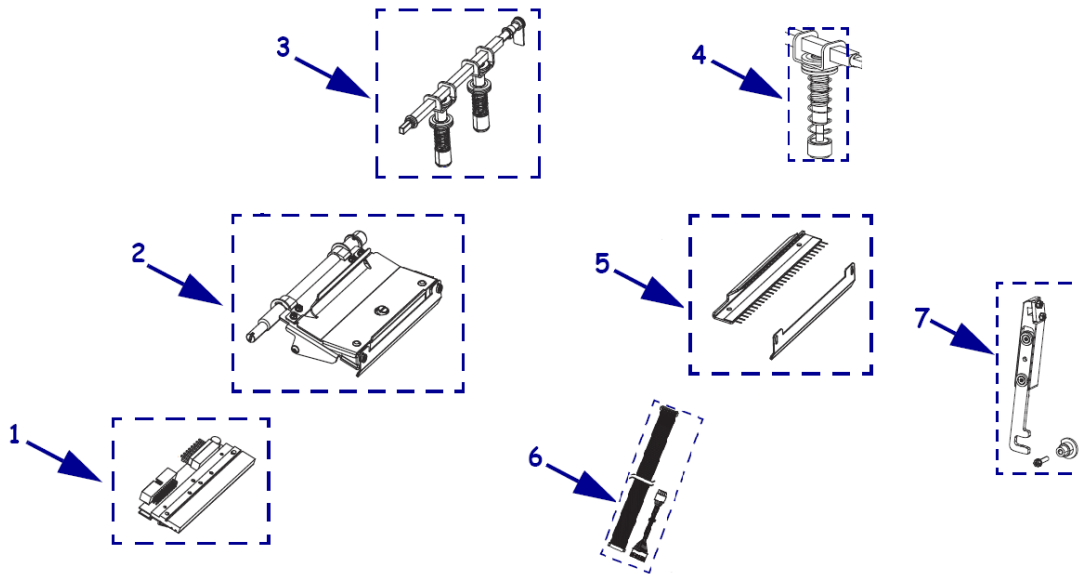


**Outer Casing**



Item Number	Description	Part Number	Kit Quantity
1	Kit Media Cover ZE500-4 RH (includes window and hinges)	P1046696-076	1
1	Kit Media Cover ZE500-4 LH (includes window and hinges)	P1046696-077	1
1	Kit Media Cover ZE500-6 RH (includes window and hinges)	P1046696-078	1
1	Kit Media Cover ZE500-6 LH (includes window and hinges)	P1046696-079	1
	Kit Window for Media Cover ZE500 Series	P1046696-080	1
	Kit Hinges for Media Cover ZE500 Series	P1046696-081	2
2	Kit Control Panel ZE500 Series (includes cable)	P1046696-082	1
	Kit Hardware to Enable Deported Control Panel ZE500 Series	P1046696-002	1
3	Kit Electronics Cover ZE500 RH Series (includes screws)	P1046696-083	1
3	Kit Electronics Cover ZE500 LH Series (includes screws)	P1046696-084	1
	Kit Screws for Electronics Cover ZE500 Series	P1046696-085	4

**Print Mechanism**



Item Number	Description	Part Number	Kit Quantity
1	Kit Printhead 203 dpi ZE500-4 RH & LH (Standard life printhead)	P1046696-099	1
1	Kit Printhead 300 dpi ZE500-4 RH & LH (Standard life printhead)	P1046696-016	1
1	Kit Extended Life Printhead for Direct Thermal high-volume printing 203 dpi ZE500-4 RH & LH	P1079036-005	1
1	Kit Extended Life Printhead for Direct Thermal high-volume printing 300 dpi ZE500-4 RH & LH	P1079036-006	1
1	Kit Printhead 203 dpi ZE500-6 RH & LH	P1004236	1
1	Kit Printhead 300 dpi ZE500-6 RH & LH	P1004237	1
2	Kit Print Mechanism ZE500-4 RH	P1046696-115	1
2	Kit Print Mechanism ZE500-4 LH	P1046696-116	1
2	Kit Print Mechanism ZE500-6 RH	P1046696-117	1
2	Kit Print Mechanism ZE500-6 LH	P1046696-118	1
3	Kit Pivot Bar and Toggle Assemblies ZE500-4 RH & LH	P1046696-009	1
3	Kit Pivot Bar and Toggle Assemblies ZE500-6 RH & LH	P1046696-010	1
4	Kit Toggle Assemblies ZE500 Series	P1046696-011	2
5	Kit Ribbon Strip Plate & Ribbon Static Brush ZE500-4 RH & LH	P1046696-043	1
5	Kit Ribbon Strip Plate & Ribbon Static Brush ZE500-6 RH & LH	P1046696-044	1
6	Kit Cables for Printhead (power, data, ground) ZE500 Series	P1046696-007	1
7	Kit Latch for Print Mechanism ZE500 Series	P1046696-008	1
	Kit Ground Contact for Print Mechanism ZE500 Series	P1046696-107	1

### Printhead dpi conversion kits

ZE500 Series printers will have either a **Standard Life Media Drive System** installed or an **Extended Life Media Drive System** installed. These different types of drive systems require ordering different part numbers. Please read the notes below to determine the correct part number to order based on the type of media drive system that is currently installed on the ZE500 printer in question.

The absence of the extended life media drive system identification label indicates a standard life drive system is installed.



The presence of the extended life media drive system identification label indicates an extended life drive system is installed.



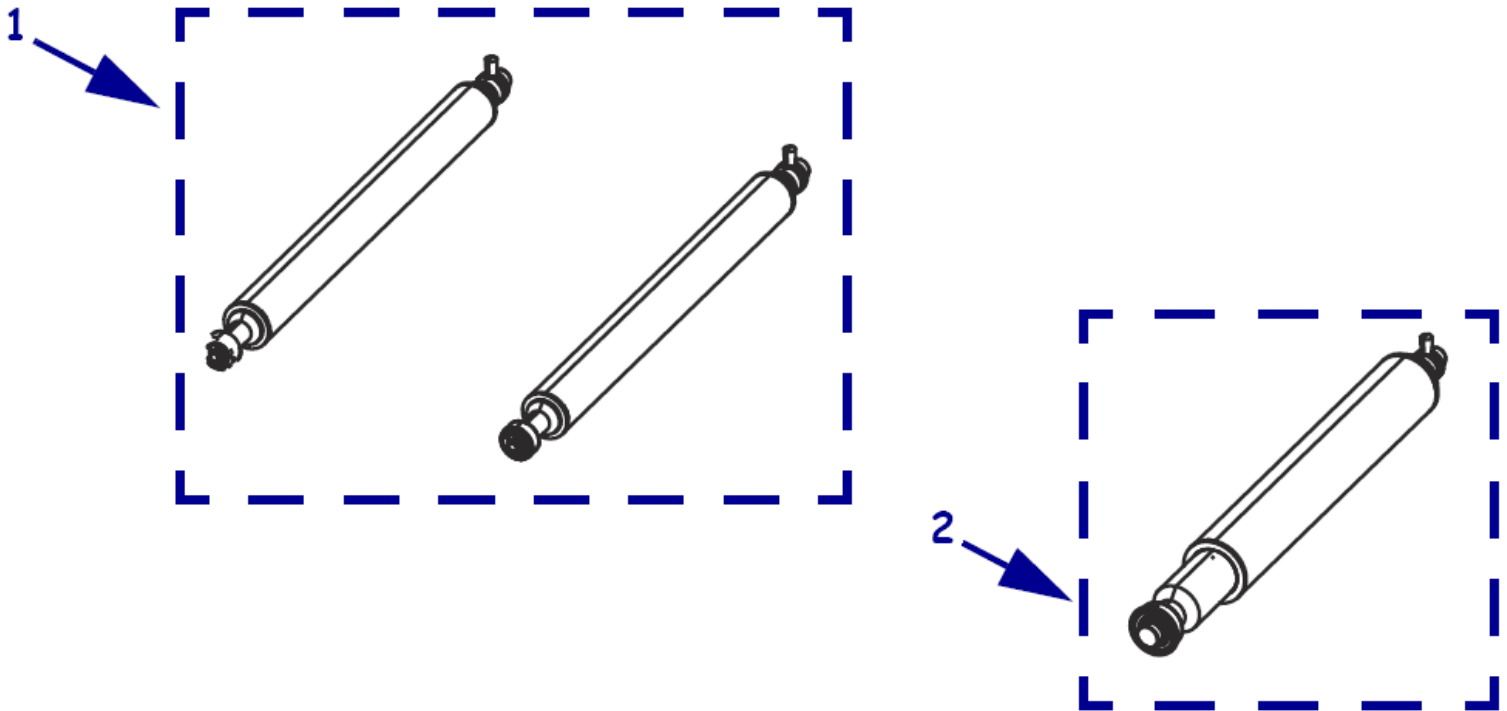
- Determine the type of media drive system that is currently installed on the printer by verifying the presence or absence of the Extended Life Media Drive System label. ZE500 printers that currently have the extended life media drive system installed can be identified by the presence of a label affixed to the drive system cover displaying the text “**Extended Life Media Drive System**”. The absence of this label indicates that a standard life media drive system is currently installed on the printer.

**Additional Information:**

- ZE500 printers with serial numbers greater than 67J160800058 for 4 inch wide models and 68J160800073 for 6 inch wide models have an Extended Life Media Drive System installed.
- ZE500 printers with serial numbers less than 67J160800058 (for 4") and 68J160800073 (for 6") shipped with a standard life media drive system installed, but these printers may have been upgraded to use an extended life media drive system via the installation of one of the extended life media drive system kits.

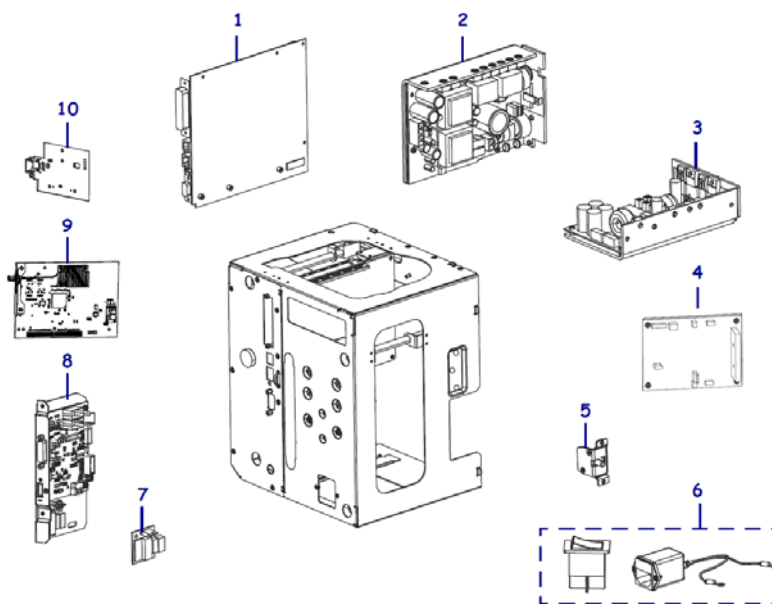
Item Number	Description	Standard Life Media Drive System Part	Extended Life Media Drive System	Kit Qty
		Number	Part Number	
	Kit Convert 203 to 300dpi ZE500-4 RH & LH	P1046696-003	P1046696-140	1
	Kit Convert 300 to 203dpi ZE500-4 RH & LH	P1046696-004	P1046696-141	1
	Kit Convert 203 to 300dpi ZE500-6 RH & LH	P1046696-005	P1046696-142	1
	Kit Convert 300 to 203dpi ZE500-6 RH & LH	P1046696-006	P1046696-143	1

**Platen, Pinch and Peel Rollers**



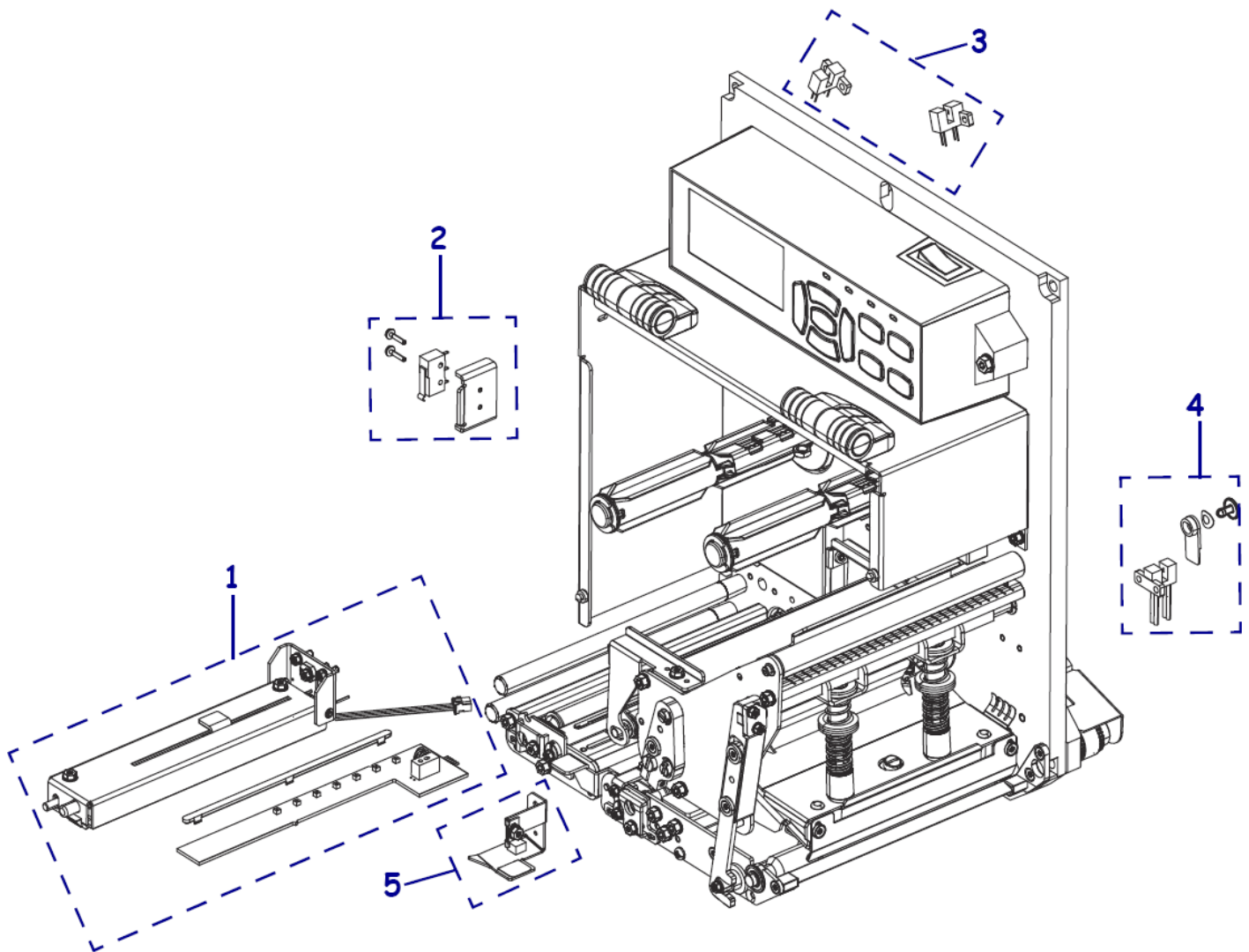
Item Number	Description	Part Number	Kit Quantity
1	Kit Pinch and Peel Rollers ZE500-4 RH & LH	P1046696-059	2
1	Kit Pinch and Peel Rollers ZE500-6 RH & LH	P1046696-060	2
2	Kit Platen Roller ZE500-4 RH & LH	P1046696-072	1
2	Kit Platen Roller ZE500-6 RH & LH	P1046696-073	1

**Electronics**



Item Number	Description	Part Number	Kit Quantity
1	Kit Main Logic Board 64MB ZE500 Series	P1046696-017	1
2	Kit AC Power Supply ZE500 Series	P1046696-021	1
3	Kit DC Power Supply ZE500 Series	P1046696-132	1
4	Kit Ribbon Motor Control PCBA ZE500 Series. This item is only for RH or LH printers with PCBA P1061330-01 currently installed.	P1046696-134	1
4	Kit Ribbon Motor Control PCBA ZE500 RH Series. This item is only for RH printers with PCBA 57311-002 currently installed. All parts included in this kit must be installed together at the same time as a complete set.	P1046696-135	1
4	Kit Ribbon Motor Control PCBA ZE500 LH Series. This item is only for LH printers with PCBA 57311-002 currently installed. All parts included in this kit must be installed together at the same time as a complete set.	P1046696-137	1
5	Kit Latch for Electronics Chassis ZE500 Series	P1046696-087	1
6	Kit Power Entry Module and Power Switch ZE500 Series	P1046696-026	1
7	Kit Voltage Regulator PCBA ZE500 Series	P1046696-020	1
8	Kit Applicator Interface 5V/24-28V ZE500 Series	P1046696-018	1
9	Kit ZebraNet Wireless b/g PrintServer ZE500 Series (includes magnetic antenna mount)	P1046696-001	1
10	Kit Internal ZebraNet 10/100 PrintServer (Ethernet) ZE500 Series	79823	1
	Kit Electronics Cables ZE500 Series (includes various power & data cables used throughout the printer)	P1046696-025	1
	Kit Replacement Antenna for b/g Wireless PrintServer	P1032276	1
	Kit Replacement Magnetic Antenna Mount (Antenna not included)	39518M	1
	Kit Slot Covers for Options ZE500 Series	P1046696-086	1
	Kit Mounting Plates/Brackets for PCBAs (includes brackets for the MLB, Ribbon Motor PCBA & Applicator PCBA) ZE500 Series	P1046696-088	1

**Sensors**

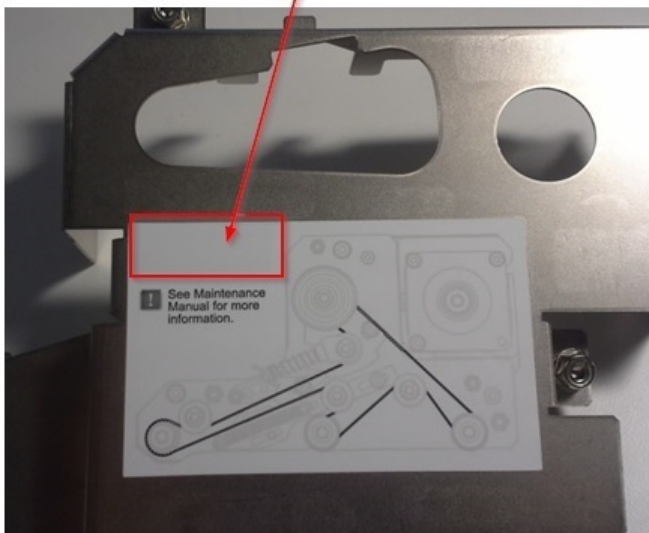


Item Number	Description	Part Number	Kit Quantity
1	Kit Media Sensor ZE500-4 RH	P1046696-027	1
1	Kit Media Sensor ZE500-4 LH	P1046696-028	1
1	Kit Media Sensor ZE500-6 RH	P1046696-029	1
1	Kit Media Sensor ZE500-6 LH	P1046696-030	1
2	Kit Media Door Open Sensor ZE500 Series	P1046696-032	1
3	Kit Encoder Sensors for Ribbon Drive System ZE500 Series	P1046696-034	2
4	Kit Printhead Open Sensor ZE500 Series	P1046696-033	1
5	Kit Ribbon Sensor ZE500 Series	P1046696-031	1

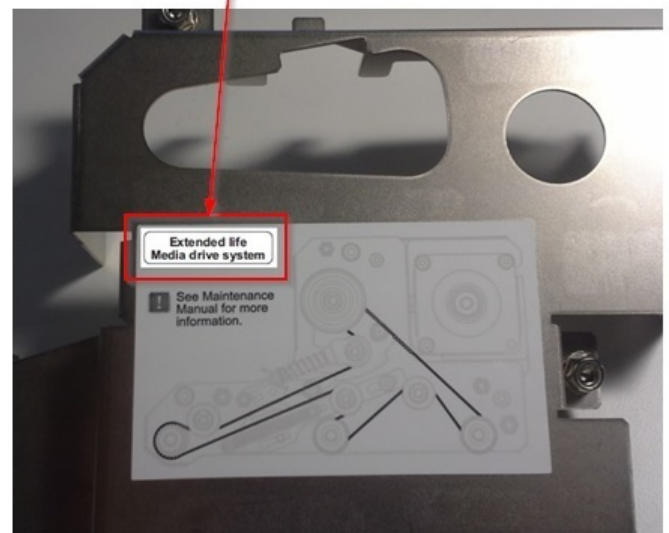
## Media Drive System

ZE500 Series printers will have either a **Standard Life Media Drive System** installed or an **Extended Life Media Drive System** installed. These different types of drive systems require ordering different replacement part numbers. Please read the notes below to determine the correct replacement part numbers to order based on the type of media drive system that is currently installed on the ZE500 printer in question.

The absence of the extended life media drive system identification label indicates a standard life drive system is installed.



The presence of the extended life media drive system identification label indicates an extended life drive system is installed.

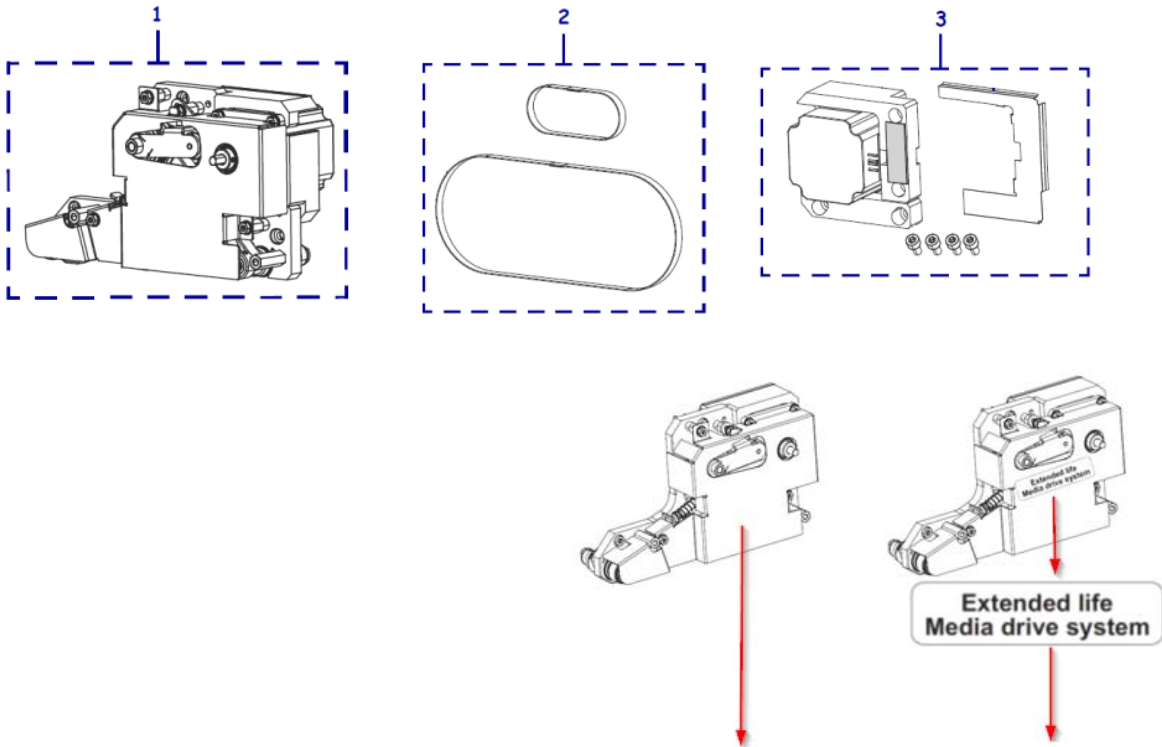


- Determine the type of media drive system that is currently installed on the printer by verifying the presence or absence of the Extended Life Media Drive System label. ZE500 printers that currently have the extended life media drive system installed can be identified by the presence of a label affixed to the drive system cover displaying the text “**Extended life Media drive system**”. The absence of this label indicates that a standard life media drive system is currently installed on the printer.

### Additional Information:

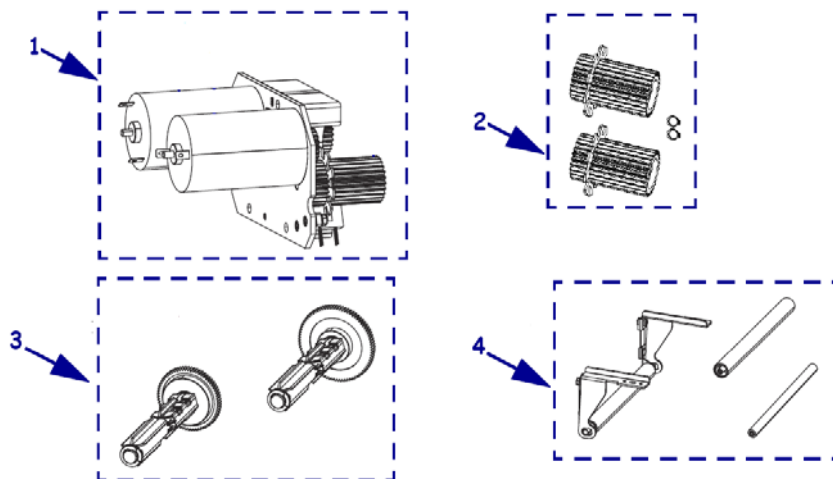
- ZE500 printers with serial numbers greater than 67J160800058 for 4 inch wide models and 68J160800073 for 6 inch wide models have an Extended Life Media Drive System installed.
- ZE500 printers with serial numbers less than 67J160800058 (for 4") and 68J160800073 (for 6") shipped with a standard life media drive system installed, but these printers may have been upgraded to use an extended life media drive system via the installation of one of the extended life media drive system kits.
- Be sure to select the correct part numbers for the drive system type currently installed on the printer in question. See the part number table on the next page.

**Media Drive System Continued**



Item Number	Description	Standard Life Media Drive System Part Number	Extended Life Media Drive System Part Number	Kit Qty
1	Kit Media Drive System 203 dpi ZE500 RH Series	Discontinued (order P1046696-120)	P1046696-120	1
1	Kit Media Drive System 300 dpi ZE500 RH Series	Discontinued (order P1046696-121)	P1046696-121	1
1	Kit Media Drive System 203 dpi ZE500 LH Series	Discontinued (order P1046696-122)	P1046696-122	1
1	Kit Media Drive System 300 dpi ZE500 LH Series	Discontinued (order P1046696-123)	P1046696-123	1
2	Kit Media Drive Belts ZE500 Series.	P1046696-050	P1046696-124	2
3	Kit Media Drive Motor ZE500 RH Series.	P1046696-125	P1046696-125	1
3	Kit Media Drive Motor ZE500 LH Series.	P1046696-126	P1046696-126	1
	Kit Couplers for Media Rollers ZE500 RH Series	P1046696-102	P1046696-102	3
	Kit Couplers for Media Rollers ZE500 LH Series	P1046696-103	P1046696-103	3
	Kit Media Drive Pulleys 203 dpi ZE500 Series.	P1046696-104	P1046696-127	1
	Kit Media Drive Pulleys 300 dpi ZE500 Series.	P1046696-105	P1046696-128	1
	Kit Hardware for Media Drive System ZE500 Series	P1046696-106	P1046696-129	1
	Kit Idler Pulleys ZE500 Series.	P1046696-108	P1046696-130	5

**Ribbon Drive System**

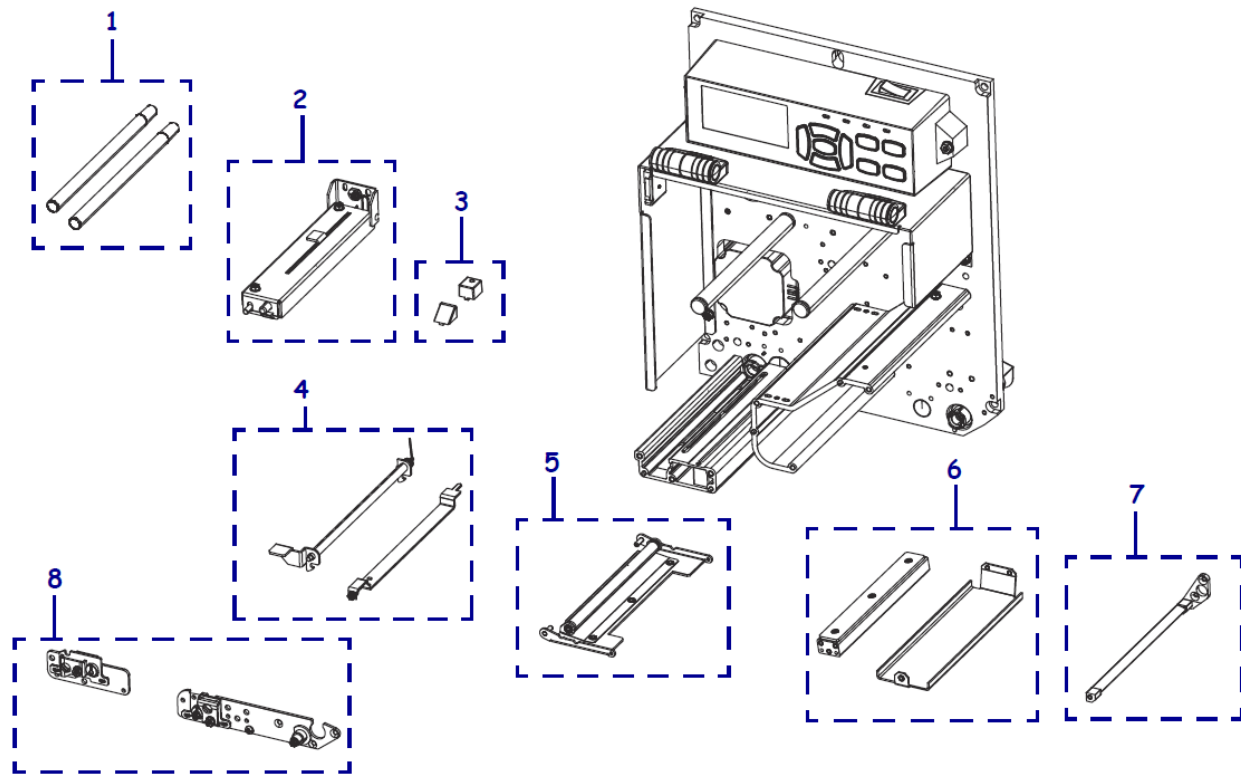


Item Number	Description	Part Number	Kit Quantity
1	Kit Ribbon Drive System ZE500 RH Series. This item is only for RH printers with ribbon drive motor 44197-102 currently installed. All parts included in this kit must be installed at the same time as a complete set.	P1046696-135	1
1	Kit Ribbon Drive System ZE500 RH Series. This item is only for RH printers with ribbon drive motor 44197-502 currently installed.	P1046696-136	1
1	Kit Ribbon Drive System ZE500 LH Series. This item is only for LH printers with ribbon drive motor 44197-102 currently installed. All parts included in this kit must be installed at the same time as a complete set.	P1046696-137	1
1	Kit Ribbon Drive System ZE500 LH Series. This item is only for LH printers with ribbon drive motor 44197-502 currently installed.	P1046696-138	1
2	Kit Drive Gears for Ribbon Spindles ZE500 Series	P1046696-040	2
	Kit Mounting Hardware for Ribbon Drive System ZE500 Series	P1046696-045	1
3	Kit Ribbon Spindles (Supply & Take-Up) ZE500-4 RH & LH	P1046696-037	2
3	Kit Ribbon Spindles (Supply & Take-Up) ZE500-6 RH & LH	P1046696-038	2
	Kit Shield for the Ribbon Take Up Spindle ZE500 Series	P1046696-131	1
4	Kit Ribbon Rollers ZE500-4 RH & LH	P1046696-041	1
4	Kit Ribbon Rollers ZE500-6 RH & LH	P1046696-042	1

**Covers for Media Drive System and Ribbon Spindles**

Item Number	Description	Part Number	Kit Quantity
	Kit Covers for Media Drive System & Ribbon Spindle Drive ZE500 RH Series	P1046696-091	1
	Kit Covers for Media Drive System & Ribbon Spindle Drive ZE500 LH Series	P1046696-092	1

**Media Path Components**



Item Number	Description	Part Number	Kit Quantity
1	Kit Media Guide Posts ZE500-4 RH & LH	P1046696-053	2
1	Kit Media Guide Posts ZE500-6 RH & LH	P1046696-054	2
2	Kit Upper Segmented Pinch Roller Assembly ZE500-4 RH	P1046696-055	1
2	Kit Upper Segmented Pinch Roller Assembly ZE500-4 LH	P1046696-056	1
2	Kit Upper Segmented Pinch Roller Assembly ZE500-6 RH	P1046696-057	1
2	Kit Upper Segmented Pinch Roller Assembly ZE500-6 LH	P1046696-058	1
3	Kit Media Guides ZE500 Series	P1046696-061	1
4	Kit Latch & Deflector ZE500-4 RH	P1046696-111	1
4	Kit Latch & Deflector ZE500-4 LH	P1046696-112	1
4	Kit Latch & Deflector ZE500-6 RH	P1046696-113	1
4	Kit Latch & Deflector ZE500-6 LH	P1046696-114	1
5	Kit Peel Bracket Assembly ZE500-4 RH & LH	P1046696-109	1
5	Kit Peel Bracket Assembly ZE500-6 RH & LH	P1046696-110	1
6	Kit Platen Support and Guard for Printhead ZE500-4 RH & LH	P1046696-068	1
6	Kit Platen Support and Guard for Printhead ZE500-6 RH & LH	P1046696-069	1
7	Kit Peel Bar ZE500-4 RH & LH	P1046696-074	1
7	Kit Peel Bar ZE500-6 RH & LH	P1046696-075	1
8	Kit Roller Plates ZE500 RH Series	P1046696-070	1
8	Kit Roller Plates ZE500 LH Series	P1046696-071	1

**Packaging**

Item Number	Description	Part Number	Kit Quantity
	Kit Packaging ZE500 Series RH & LH	P1046696-095	1

Item Number	Description	Part Number	Kit Quantity
	Kit Assorted Hardware (screws, washers, etc..) ZE500 Series	P1046696-096	1