

# Parts List

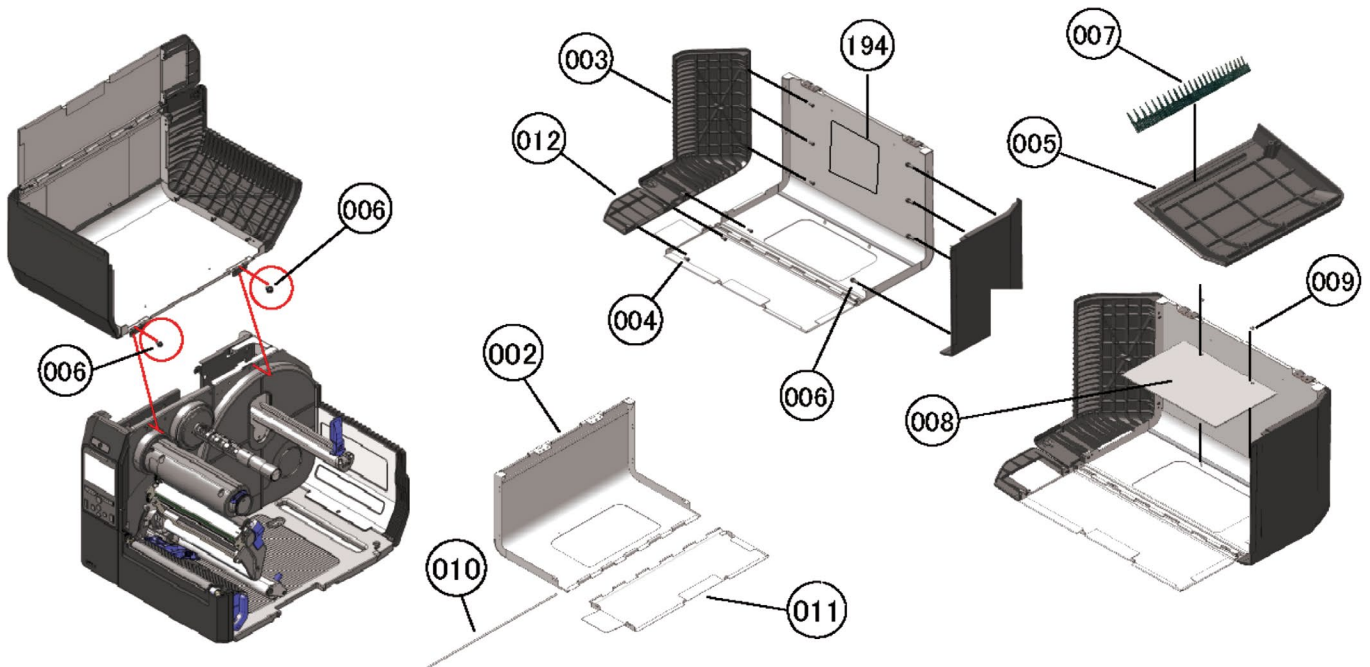
For printer model:

## CL6NX



No	Part No.	Description	Note
002	R32163402	OPEN COVER TOP SET	
003	P56208301	REAR OPEN COVER	
004	MH2300822	BIND HEAD P TIGHT SCREW	
005	P56176601	FRONT COVER TOP	
006	MD4401022	PAN HEAD SCREW+SW+WL	
007	P56231500	SHEET (THUNDER) W176	
008	P53097001	WINDOW	
009	MV8300030	PUSH NUT	
010	P53599000	HINGE PIN (SUB COVER)	
011	P53103004	SUB OPEN COVER	
012	P53111000	SUB REAR OPEN COVER	
194	Q04253000	ROUTE STICKER	

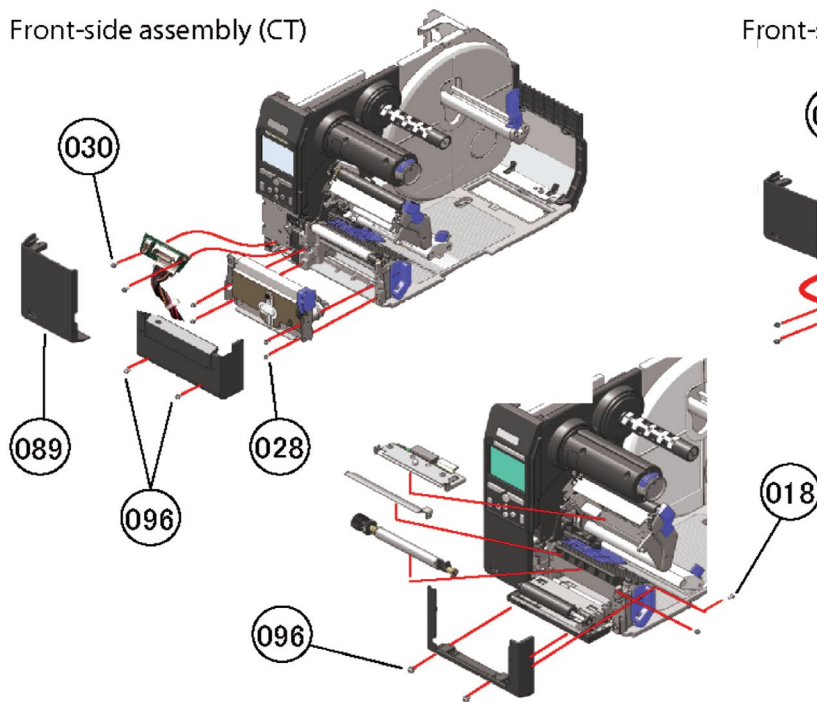
Fig 01



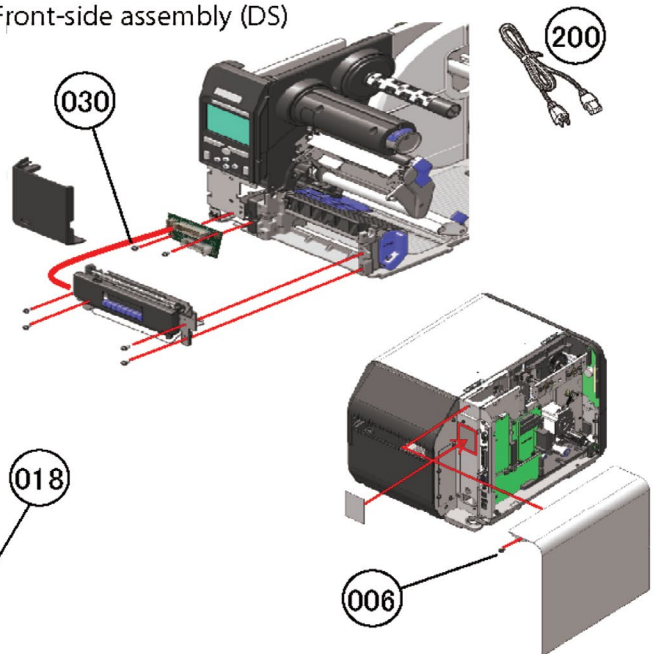
No	Part No.	Description	Note
006	MD4401022	PAN HEAD SCREW+SW+WL	
018	MD4300622	PAN HEAD SCREW+SW+WL	
028	MD3300822	PAN HEAD SCREW+SW+WS	
030	MD3300622	PAN HEAD SCREW+SW+WS	
089	P53096000	FRONT COVER UNDER LH	
096	MD3401028	PAN HEAD SCREW+SW+WS	
200	H00878001	POWER CORD (EX1)-LF	

Fig 02

Front-side assembly (CT)

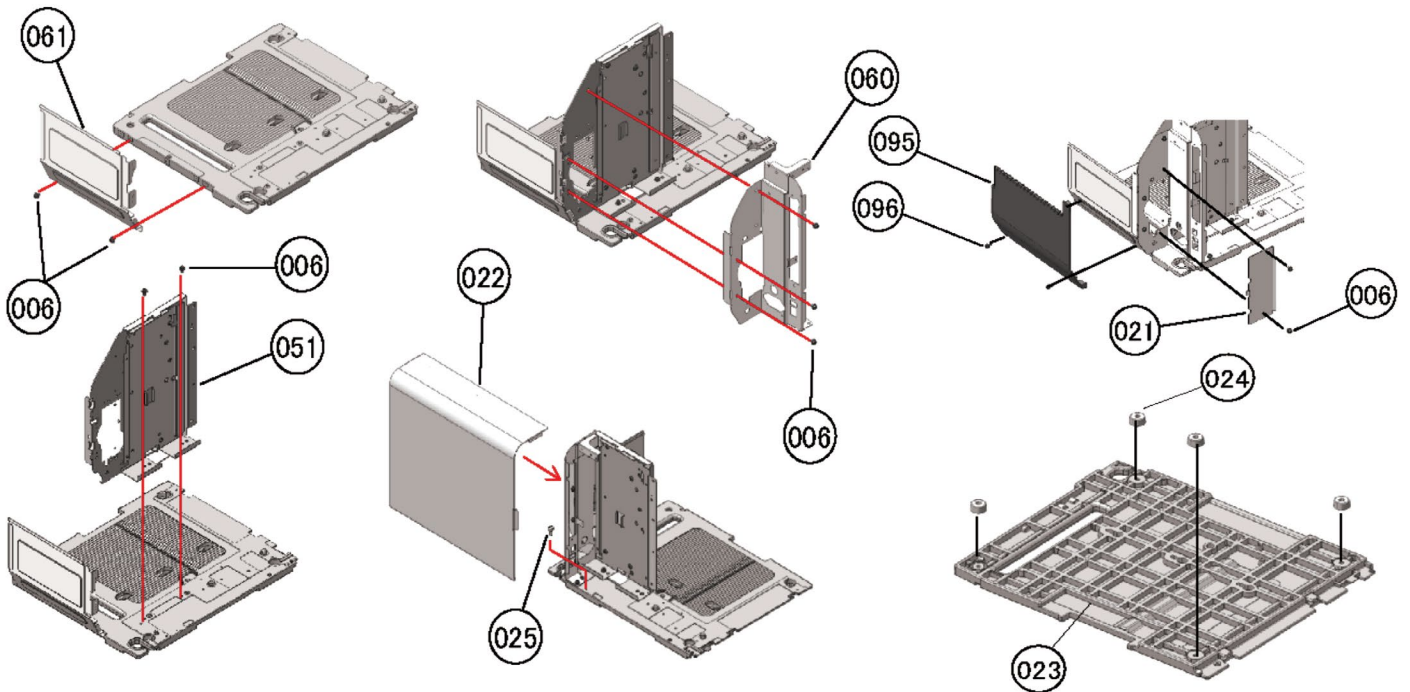


Front-side assembly (DS)



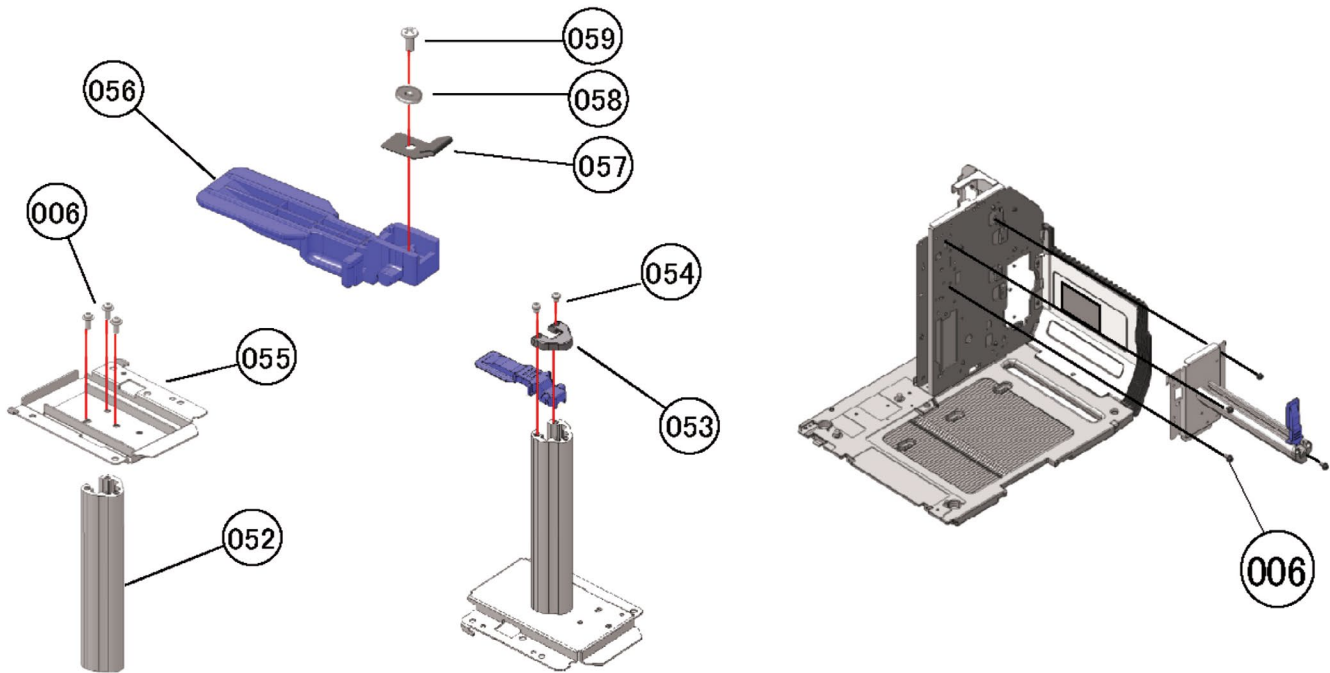
No	Part No.	Description	Note
006	MD4401022	PAN HEAD SCREW+SW+WL	
021	P56208401	DIS BLIND COVER (RW)	
022	R27582001	COVER LH SET	
023	P56176803	BASE FRAME	
024	PT6750101	CASE LEG	
025	P53598000	PIN (COVER LH)	
051	R32356301	CENTER PLATE SET	
060	R32285303	REAR PANEL LH (SILK)	
061	P56225001	REAR PANEL RH	
095	P56209901	REAR COVER	
096	MD3401028	PAN HEAD SCREW+SW+WS	

Fig 03



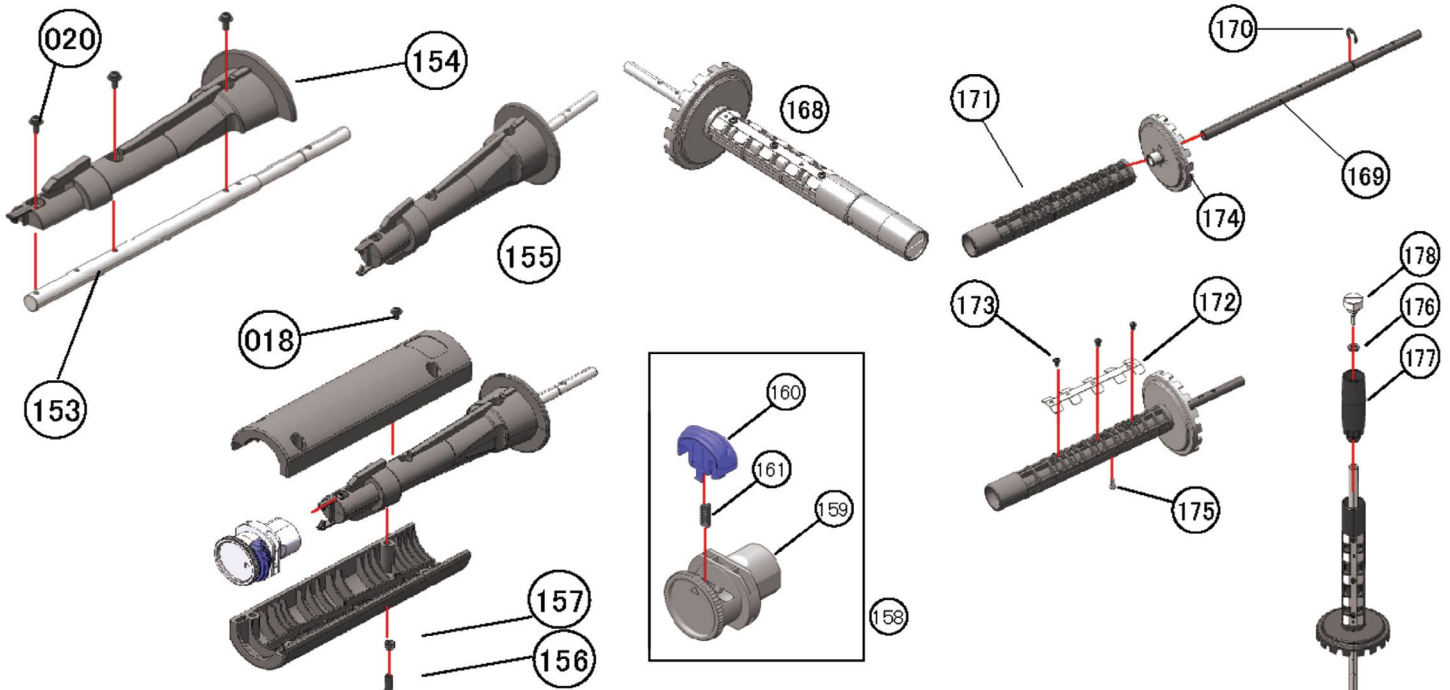
No	Part No.	Description	Note
006	MD4401022	PAN HEAD SCREW+SW+WL	
052	P56209400	LABEL HOLDER	
053	P53125000	LABEL HOLDER CAP	
054	MA0400822	PAN HEAD SCREW	
055	R30543001	LABEL HOLDER SUPPORT SET	
056	P53122001	LABEL HOLDER GUIDE RH	
057	P56483100	LABEL HOLDER GUIDE RH SP	
058	NA1030022	PLAIN WASHER	
059	MH0300822	PAN HEAD P TIGHT SCREW	

Fig 04



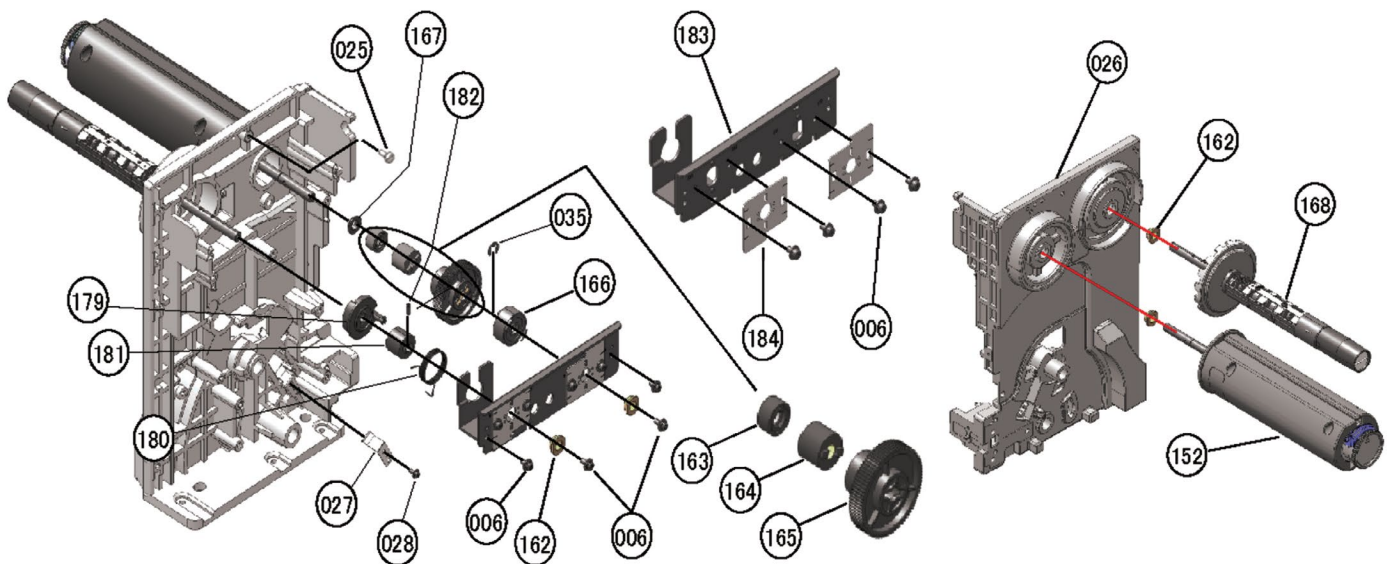
No	Part No.	Description	Note
018	MD4300622	PAN HEAD SCREW+SW+WL	
020	MD4300822	PAN HEAD SCREW+SW+WL	
153	P56213201	SHAFT (RIBBON CORE)	
154	P56213302	RIBBON CORE-IN	
155	R32170500	RIBBON CORE (A) S/A	
156	P40495000	SHAFT (SLIDE)	
157	P40494000	SPRING (SLIDE)	
158	R29805000	RELEASE BUTTON S/A	
159	P53002002	RELEASE BUTTON COVER	
160	P53001003	RELEASE BUTTON	
161	P53644000	RIBBON RELEASE SPRING	
168	R32170800	RIBBON UNWIND S/A	
169	P56213601	SHAFT(RIBBON BOSS)	
170	ND0080030	E-SNAP RING	
171	P53006000	RIBBON BOSS	
172	P00626010	SPRING (RIBBON BOSS)	
173	MH0300522	PAN HEAD P TIGHT SCREW	
174	P53005000	DISK PLATE	
175	MA0300622	PAN HEAD SCREW	
176	NB0060022	SPRING WASHER	
177	P56226001	RIBBON BOSS CAP	
178	P53642000	RIBBON BOSS SCREW	

Fig 05



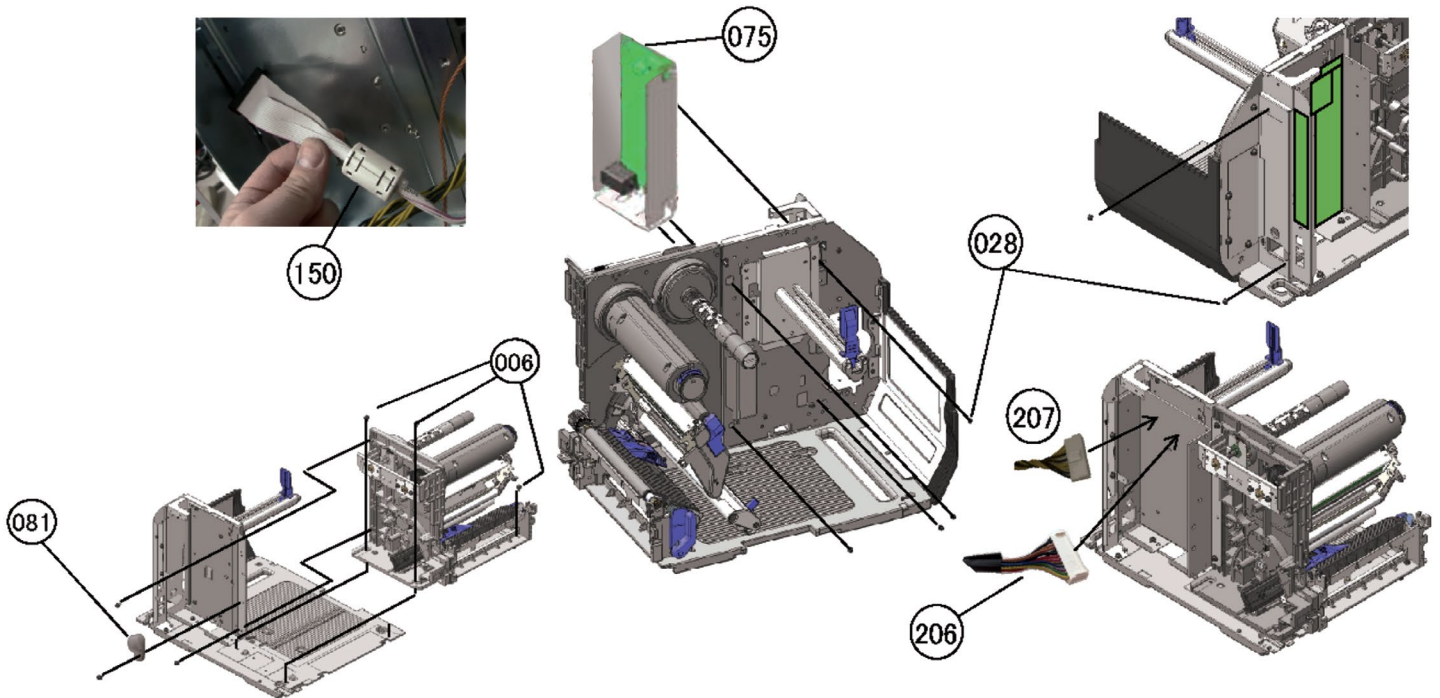
No	Part No.	Description	Note
006	MD4401022	PAN HEAD SCREW+SW+WL	
025	P53598000	PIN (COVER LH)	
026	P52952004	CENTER FRAME	
027	P53139000	SENSOR CASE TENSION	
028	MD3300822	PAN HEAD SCREW+SW+WS	
035	ND0060030	E SNAP RING	
152	R32170300	RIBBON REWIND S/A	
162	PT1112080	BALL SUPPORTER	
163	P11461000	ONEWAY CLUTCH	
164	P56354100	TORQUE LIMITTER	Recommended Spare Parts
165	P52962001	GEAR C (0_6*81)	
166	P56344800	ONE-WAY LIMITTER	
167	P32582000	BUSH	
168	R32170800	RIBBON UNWIND S/A	
179	P11280010	BF STOPPER	
180	P56412101	BF SPRING	
181	P12267000	TORQUE LIMITER	Recommended Spare Parts
182	MA0200822	PAN HEAD SCREW	
183	P56225402	RIBBON FRAME	
184	P56217900	AJ PLATE (RIBBON SH)	

Fig 06



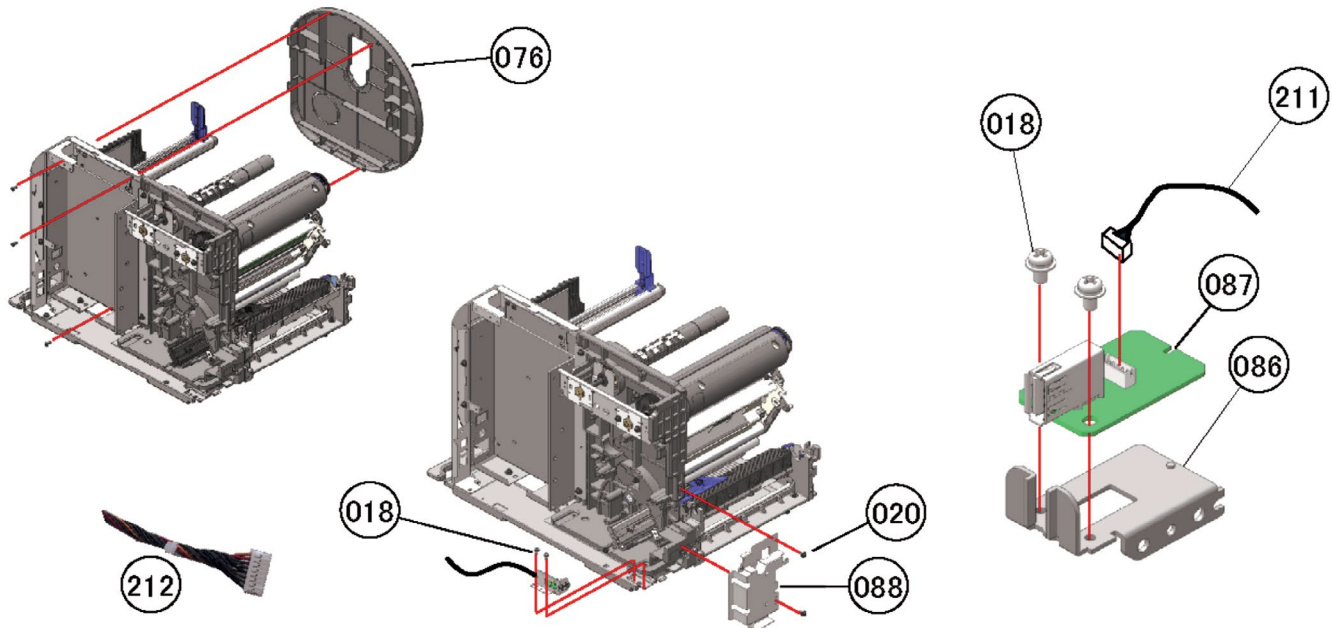
No	Part No.	Description	Note
006	MD4401022	PAN HEAD SCREW+SW+WL	
028	MD3300822	PAN HEAD SCREW+SW+WS	
075	K00517900	POWER UNIT-LF	Recommended Spare Parts
081	JG100141A	NYLON CLAMP	
150	K00396000	FERRITE CORE-LF	
206	R32197300	POWER SUPPLY CABLE SET-LF	
207	R32114800	HEAD POWER CABLE SET-LF	

Fig 07



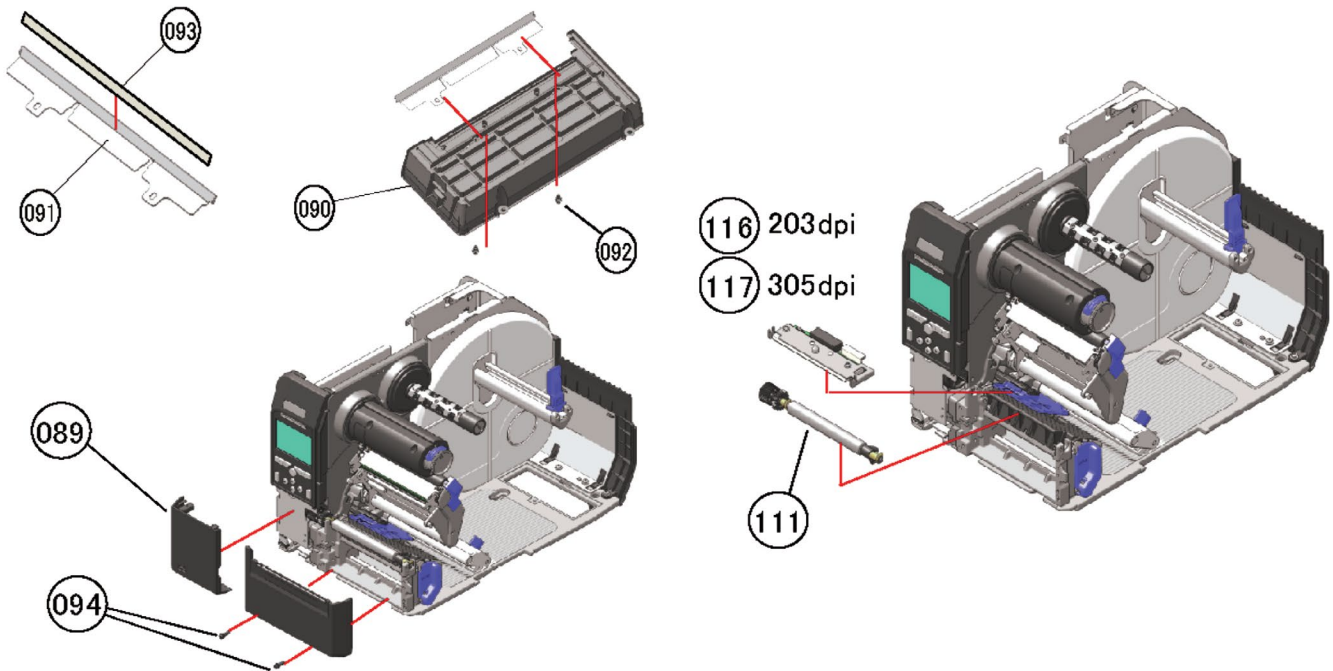
No	Part No.	Description	Note
018	MD4300622	PAN HEAD SCREW+SW+WL	
020	MD4300822	PAN HEAD SCREW+SW+WL	
076	P53128002	LABEL HOLDER GUIDE LH	
086	P53115000	USB PCB BR	
087	R28364000	CL4NX USB PCB ASSY	
088	P53114001	CONT PCB BR	
211	R28426000	USB HOST CABLE SET-LF	
212	R28425000	OPTION CABLE SET-LF	

Fig 08



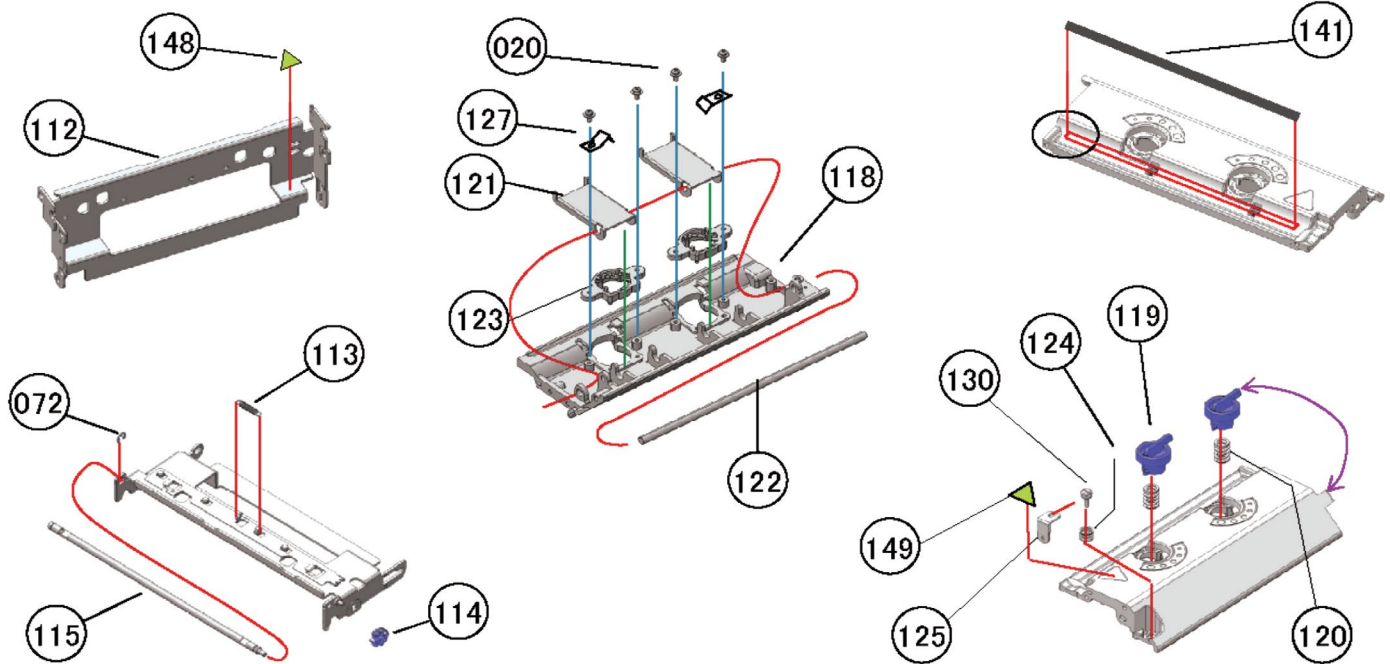
No	Part No.	Description	Note
089	P53096000	FRONT COVER UNDER LH	
090	P56176700	FRONT COVER UNDER RH	
091	P56217001	TEAR OFF CUTTER	
092	MD4300522	PAN HEAD SCREW+SW+WL	
093	P56209800	SHEET (TEAR OFF)	
094	MD3401428	PAN HEAD SCREW+SW+WS	
111	R32174100	PLATEN S/A(B)	Recommended Spare Parts
116	R32169600	HEAD SUB ASSY(8)	Recommended Spare Parts
117	R32169900	HEAD SUB ASSY(12)	Recommended Spare Parts

Fig 09



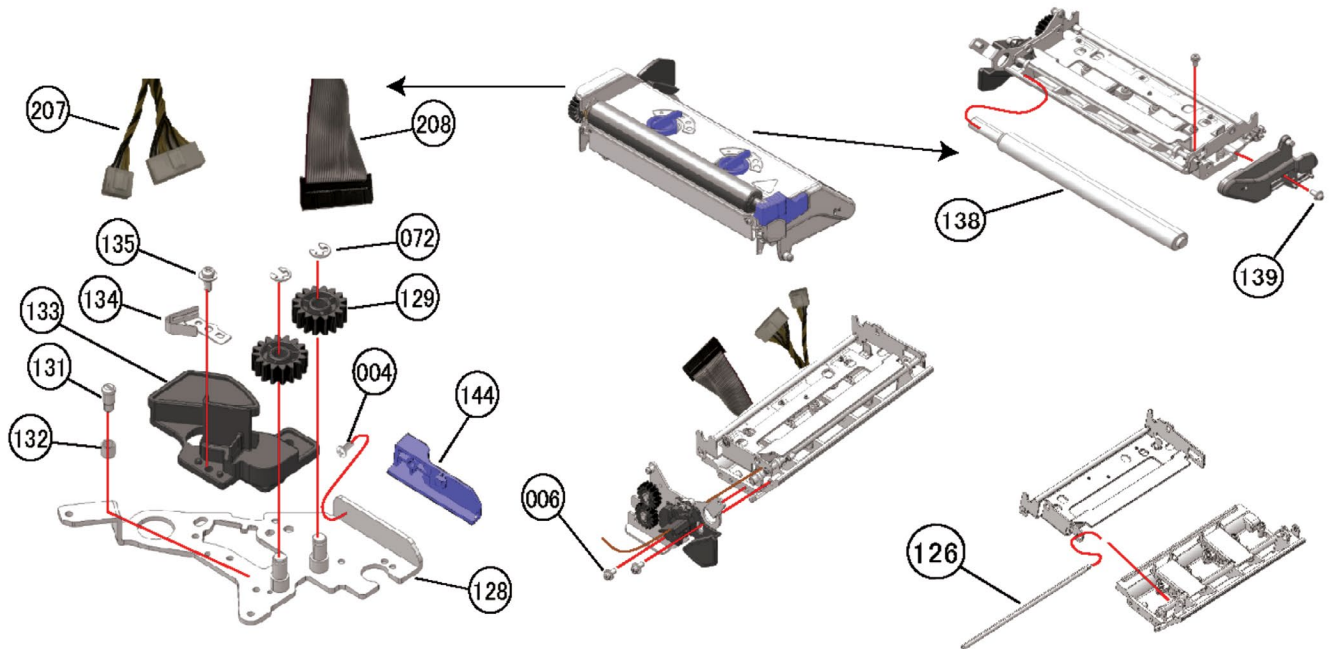
No	Part No.	Description	Note
020	MD4300822	PAN HEAD SCREW+SW+WL	
072	ND0040030	E SNAP RING	
112	R32165405	HEAD BASE PLATE SET	
113	P56310900	SPRING (RELEASE)	
114	P52999001	HEAD_AJ_KNOB	
115	P56211100	SHAFT (HEAD AJ)	
118	P56177002	HEAD FRAME	
119	P52982000	HEAD PRESSURE KNOB	
120	P56240700	SPRING (HEAD)	
121	P56217800	HEAD PRESSURE ARM	
122	P56212400	SHAFT (ARM)	
123	P56212500	HEAD PRESSURE	
124	P53626000	SPRING (HEAD AJ)	
125	P52991000	AJ PLATE (HEAD)	
127	K00533900	FINGER	
130	P53627000	HEAD AJ SCREW	
141	P56412201	SHEET (RIBBON ROLLER)	
148	QC6524200	STICKER (CAUTION HOT)	
149	Q04255000	STICKER (CAUTION)	

Fig 10



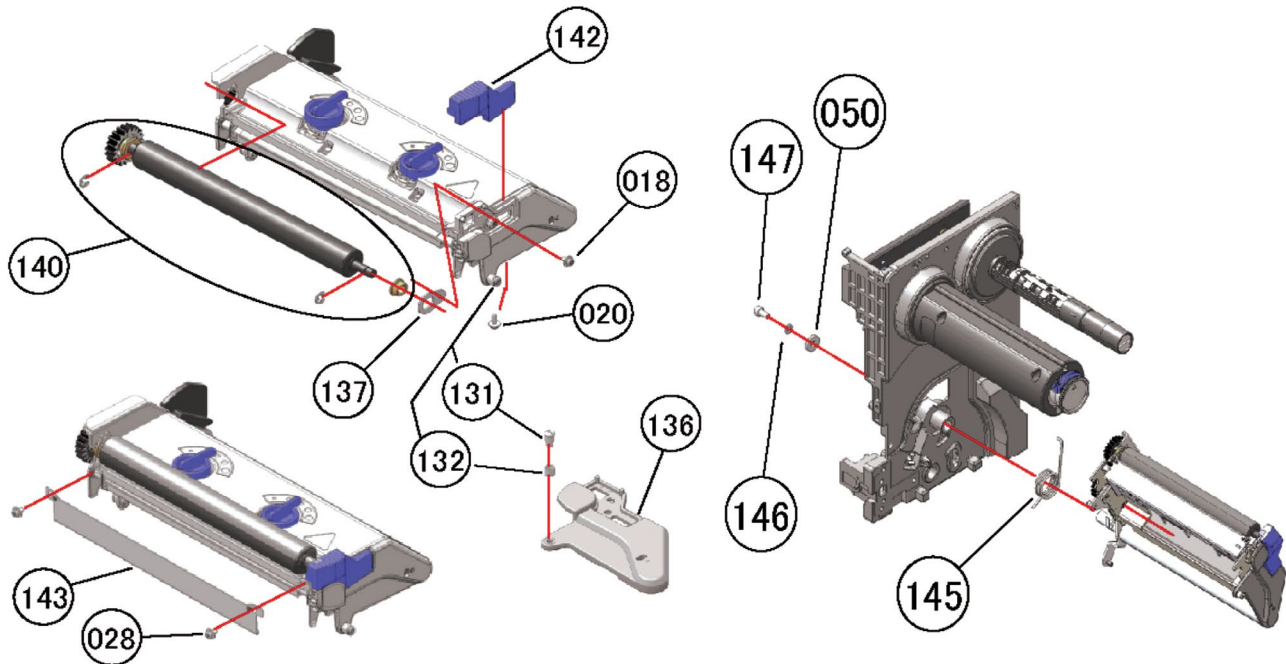
No	Part No.	Description	Note
004	MH2300822	BIND HEAD P TIGHT SCREW	
006	MD4401022	PAN HEAD SCREW+SW+WL	
072	ND0040030	E SNAP RING	
126	P56212600	SHAFT (HEAD BASE)	
128	R27444004	HEAD FRAME LH SET	
129	P52989000	GEAR H (1_25*16)	
131	P53625000	HEAD LOCK SCREW	
132	P41929000	COLLAR (5*6*4.8)	
133	P56212702	HEAD HARNESS COVER	
134	P52987001	SENSOR HOLD SP	
135	MD4301022	PAN HEAD SCREW+SW+WL	
138	P56212800	SHAFT (HEAD)	
139	MD3401022	PAN HEAD SCREW+SW+WS	
144	P56349001	HEAD CLOSE LEVER LH	
207	R32114800	HEAD POWER CABLE SET-LF	
208	R28428001	HEAD SIGNAL CABLE SET-LF	

Fig 11



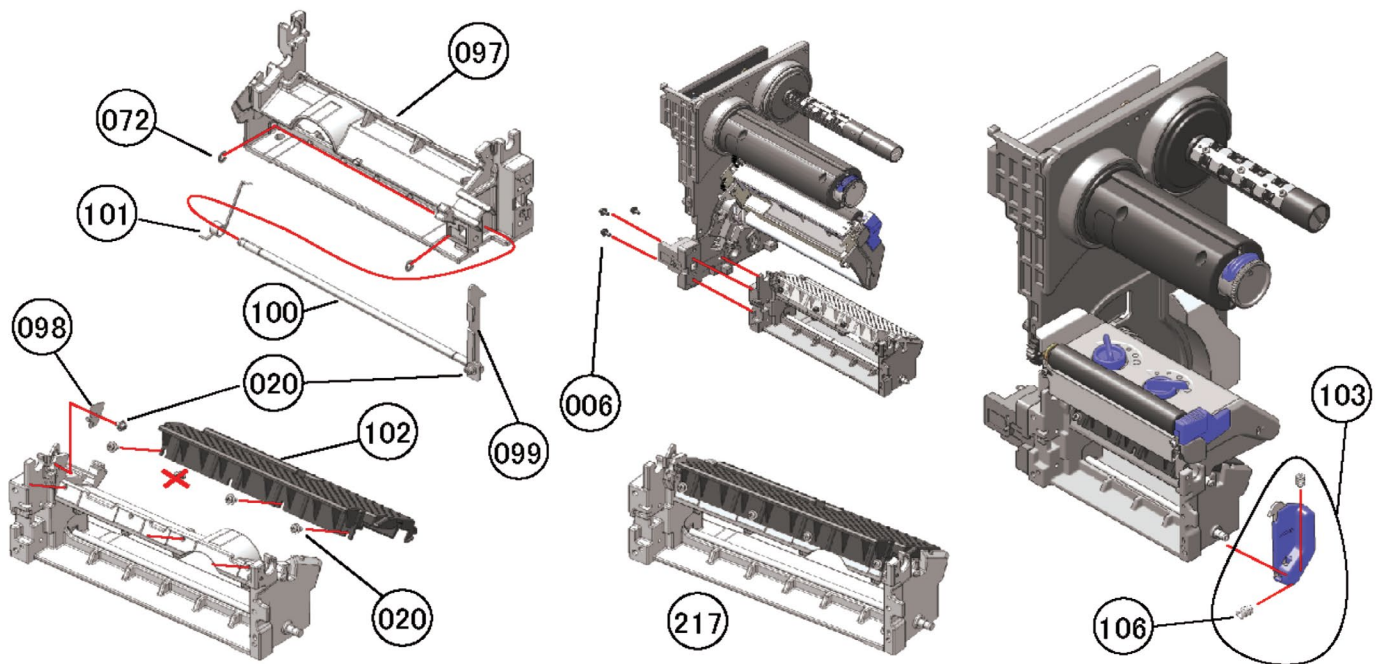
No	Part No.	Description	Note
018	MD4300622	PAN HEAD SCREW+SW+WL	
020	MD4300822	PAN HEAD SCREW+SW+WL	
028	MD3300822	PAN HEAD SCREW+SW+WS	
050	PA0720110	COLLAR (5*16*2.3)	
131	P53625000	HEAD LOCK SCREW	
132	P41929000	COLLAR (5*6*4.8)	
136	P52966000	HEAD FRAME RH	
137	P52988000	AJ PLATE (RIBBON ROLLER)	
140	R32170100	RIBBON ROLLER S/A	
142	P52984000	HEAD CLOSE LEVER	
143	P56213001	AJ PLATE (RIBBON)	
145	P56213100	SPRING (HEAD UP)	
146	NB0050022	SPRING WASHER	
147	MN1501030	HEX BOLT	

Fig 12



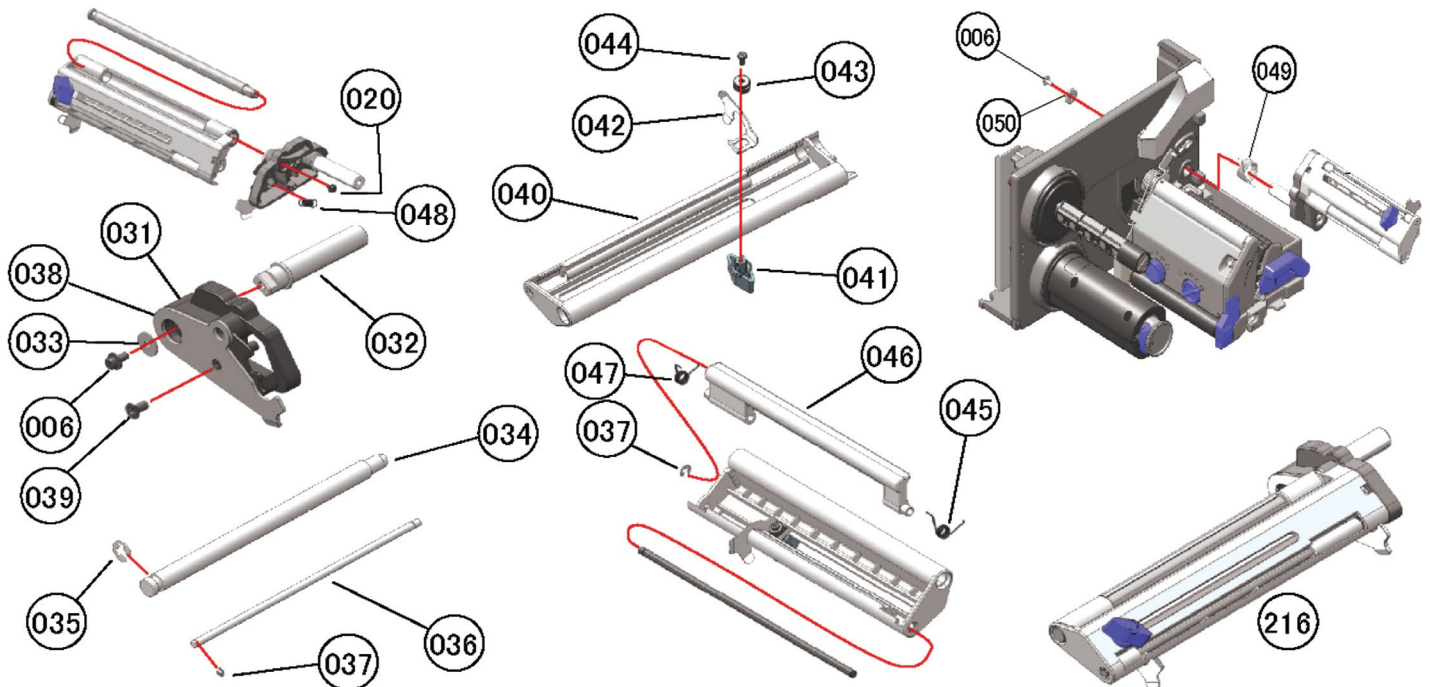
No	Part No.	Description	Note
006	MD4401022	PAN HEAD SCREW+SW+WL	
020	MD4300822	PAN HEAD SCREW+SW+WL	
072	ND0040030	E SNAP RING	
097	P56176902	ENGINE FRAME	
098	P52973000	LABEL GUIDE LH (F)	
099	P52954001	HEAD LOCK PLATE LH	
100	P56210000	SHAFT (HOOK)	
101	P53616000	SPRING (HOOK)	
102	P56210100	MEDIA GUARD	
103	R30541001	HEAD LOCK ASSY	
106	MJ1400522	HEX SOCKET SET SCREW (W-POINT)	
217	R32163800	ENGINE ASSY	

Fig 13



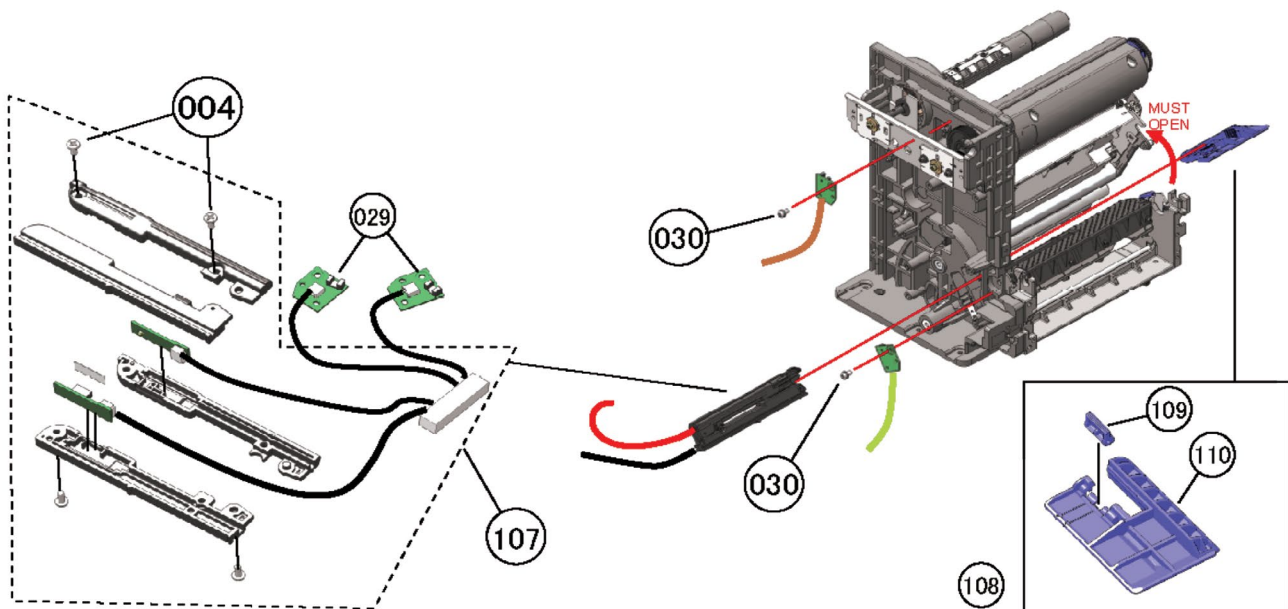
No	Part No.	Description	Note
006	MD4401022	PAN HEAD SCREW+SW+WL	
020	MD4300822	PAN HEAD SCREW+SW+WL	
031	P52970002	DAMPER BASE	
032	P53638000	SHAFT (DAMPER BASE)	
033	PA0730320	WASHER (4.2*14*1)	
034	P56208500	SHAFT (DAMPER A)	
035	ND0060030	E SNAP RING	
036	P56208600	SHAFT (DAMPER B)	
037	ND0030030	E SNAP RING	
038	P56208700	LABEL GUIDE LH (DAMPER)	
039	MA1300622	FLAT HEAD SCREW	
040	P56208800	DAMPER HOLDER TOP	
041	P53121004	LABEL GUIDE LEVER	
042	P53127000	LABEL GUIDE RH	
043	P53123001	LABEL GUIDE STOPPER	
044	MH0301022	PAN HEAD P TIGHT SCREW	
045	P56208901	SPRING (DAMPER B RH)	
046	P56209000	DAMPER HOLDER UNDER	
047	P56209101	SPRING (DAMPER B LH)	
048	P56209201	SPRING (DAMPER A)	
049	P53637001	SPRING (DAMPER BASE)	
050	PA0720110	COLLAR (5*16*2.3)	
216	R32163500	DAMPER ASSY	

Fig 14



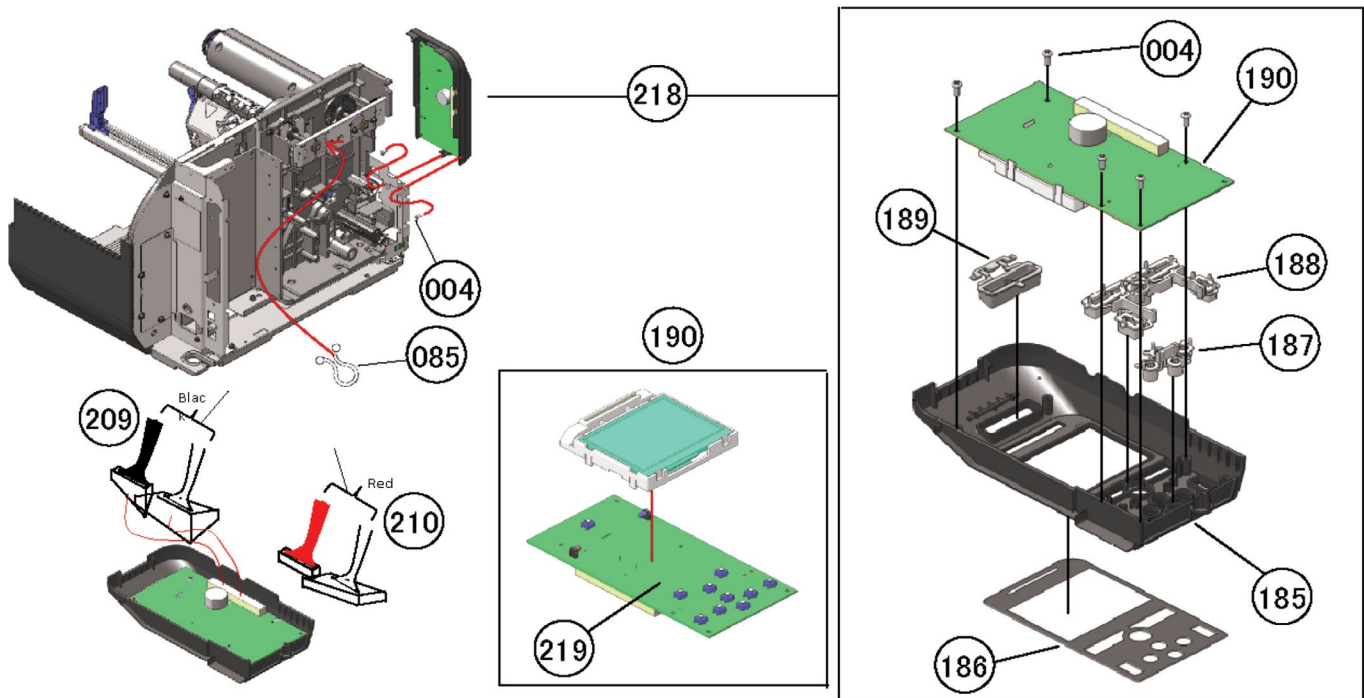
No	Part No.	Description	Note
004	MH2300822	BIND HEAD P TIGHT SCREW	
029	R28363000	CL4NX HO RB PCB SET -LF	Recommended Spare Parts
030	MD3300622	PAN HEAD SCREW+SW+WS	
107	R32164000	SENSOR S/A-LF	
108	R32444500	LABEL SENSOR ASSY	
109	P53012000	SENSOR GUIDE LEVER	
110	P56226100	LABEL SENSOR GUIDE	

Fig 15



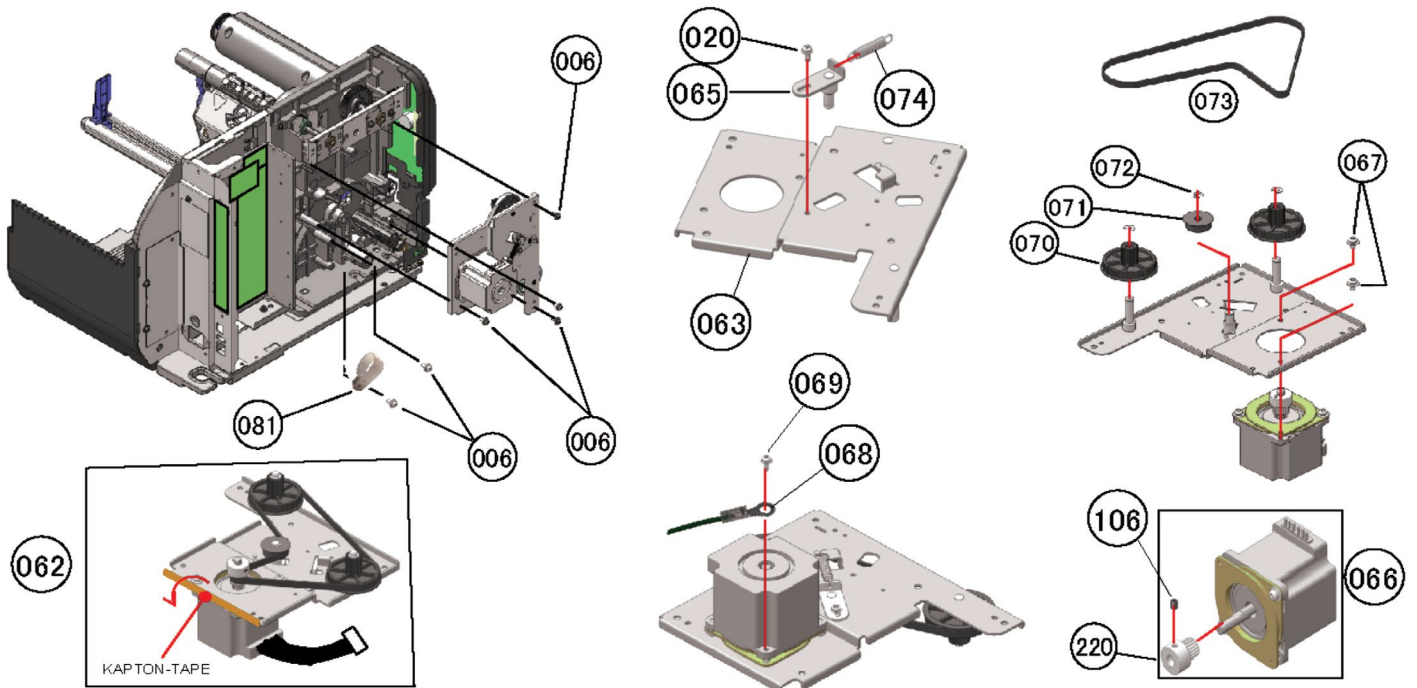
No	Part No.	Description	Note
004	MH2300822	BIND HEAD P TIGHT SCREW	
085	P55073000	OMEGA LOCK	
185	R32285401	CONT FRAME (SILK)	
186	P53118000	CONT FRAME SHEET	
187	R29808000	CONT KEY UNDER (SILK)	
188	R29019000	CONT KEY TOP (SILK)	
189	P53112001	POWER KEY	
190	R32393301	CL6NX KB PCB ASSY	
209	R28430000	KB CABLE SET-LF	
210	R30254000	KB CABLE (NON-BT) SET-LF	
218	R32171100	CONTROL PANEL ASSY	
219	R32393201	CL6NX KB PCB SUB ASSY	Recommended Spare Parts

Fig 16



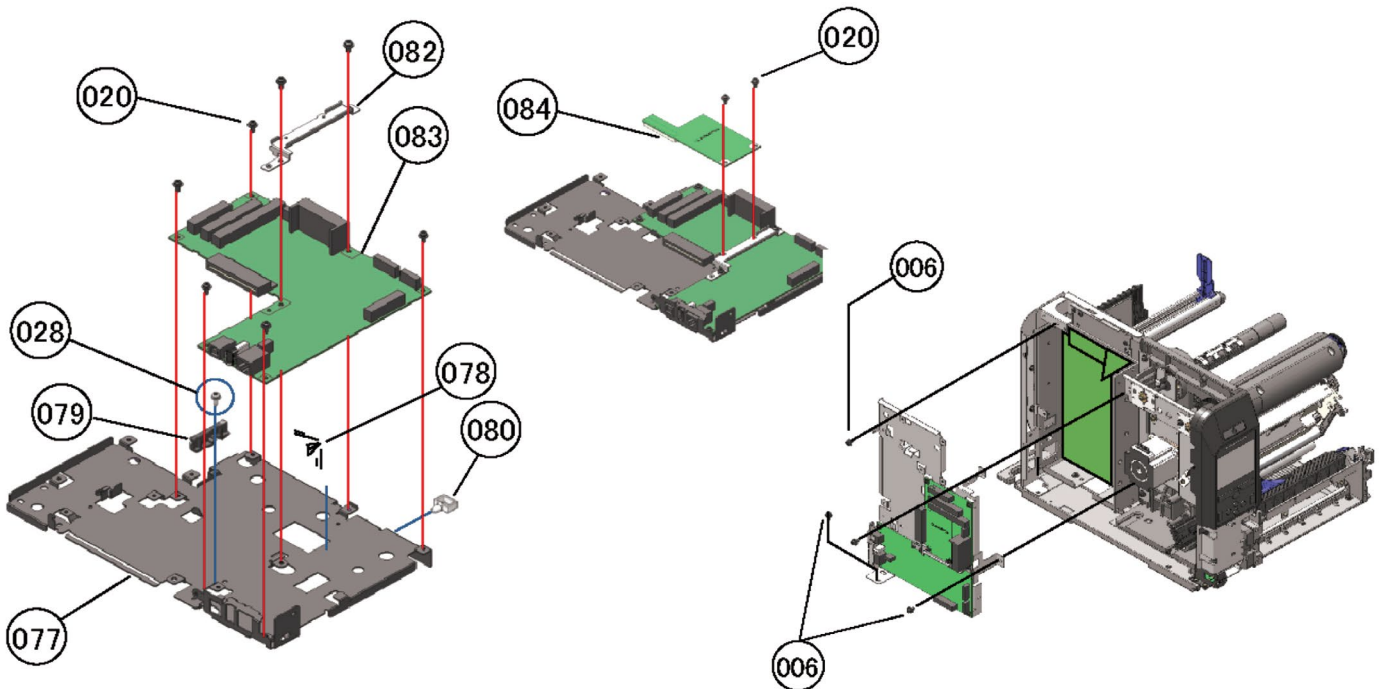
No	Part No.	Description	Note
006	MD4401022	PAN HEAD SCREW+SW+WL	
020	MD4300822	PAN HEAD SCREW+SW+WL	
062	R29788000	GEAR BRACKET ASSY	
063	R27637000	GEAR FRAME SET	
065	R27442000	TENSION BR SET	
066	R29789000	MOTOR S/A	
067	MD4400822	PAN HEAD SCREW+SW+WL	
068	R13541000	FG CABLE-195 SET-LF	
069	MD0400622	PAN HEAD SCREW-LF	
070	P52963000	GEAR/PULLEY (0.6*20/67)	
071	P44208000	TENSION ROLLER	
072	ND0040030	E SNAP RING	
073	P53988000	TIMING BELT	Recommended Spare Parts
074	P53618000	SPRING (IDOLE)	
081	JG100141A	NYLON CLAMP	
106	MJ1400522	HEX SOCKET SET SCREW (W-POINT)	
220	P53646000	MO PULLEY	

Fig 17



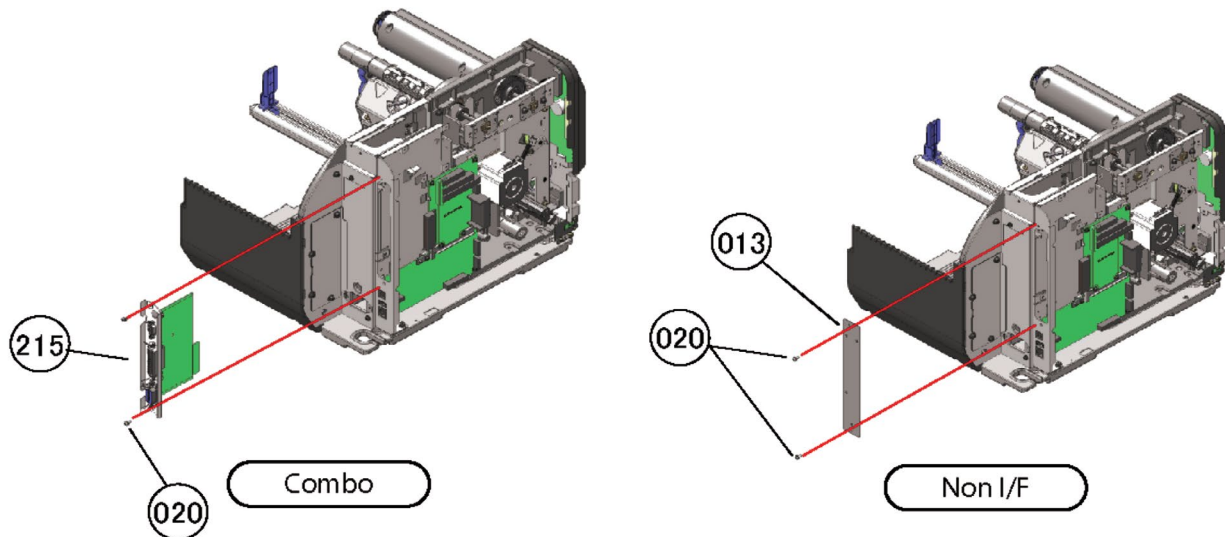
No	Part No.	Description	Note
006	MD4401022	PAN HEAD SCREW+SW+WL	
020	MD4300822	PAN HEAD SCREW+SW+WL	
028	MD3300822	PAN HEAD SCREW+SW+WS	
077	P52979002	MAIN PCB BR	
078	P55724000	HEAT CONDUCTION PAD	
079	P52981000	I/F GUIDE RAIL	
080	P54964000	CABLE SADDLE	
082	P56209703	MAIN PCB SUB BR	
083	R32241602	CLNX-CONT PCB ASSY-LF	Recommended Spare Parts
084	R32262401	CLNX-FPGA PCB ASSY-LF	Recommended Spare Parts

Fig 18



No	Part No.	Description	Note
013	P54785001	IF COVER (STD)	
020	MD4300822	PAN HEAD SCREW+SW+WL	
215	R30542000	I/F COVER ASSY	Recommended Spare Parts

Fig 19



**SATO AMERICA  
CORPORATE**  
10350-A Nations Ford Rd  
Charlotte, NC 28273  
Phone: (704) 644-1650  
Fax: (704) 644-1662  
sales-sallc@sato-global.com

**LABEL MANUFACTURING, SERVICE & SALES**  
UNITED STATES MEXICO CENTRAL AMERICA  
CANADA CARIBBEAN

©2016 SATO America. All rights Reserved. • Specifications subject to change without notice • Any unauthorized reproduction of this content, in part or whole, is strictly prohibited • SATO is a registered trademark of SATO Corporation and its subsidiaries in Japan, the U.S. and other countries. All other trademarks are the property of their respective owners. • Rev B