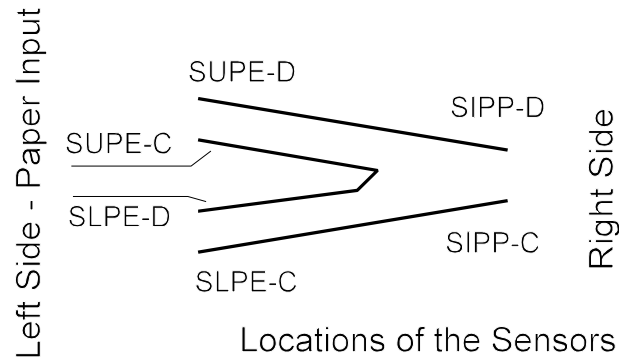
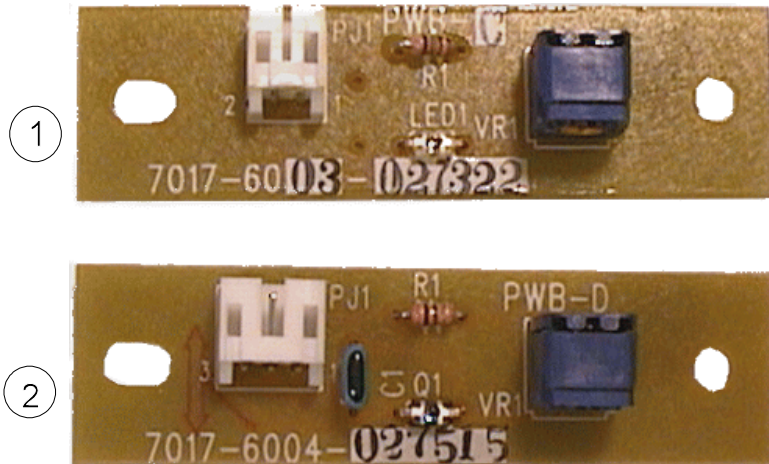


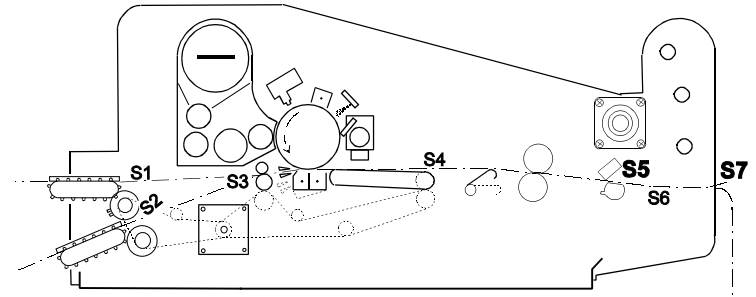
.31 Kit Sensor 1



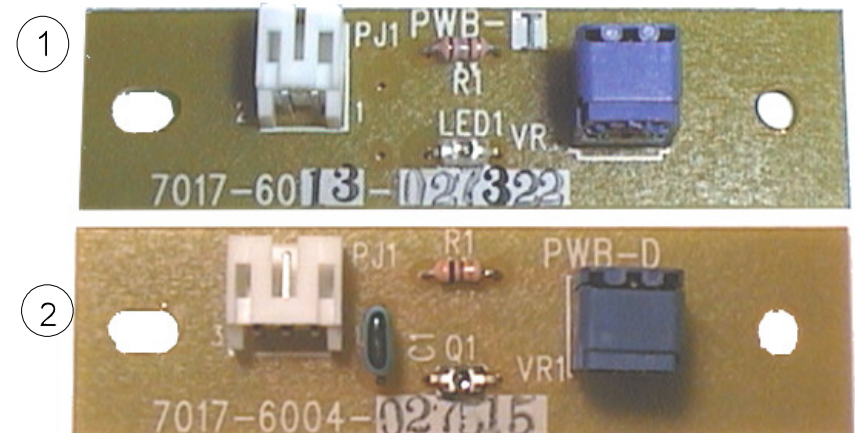
Locations of the Sensors



3.32 Kit Sensor 2



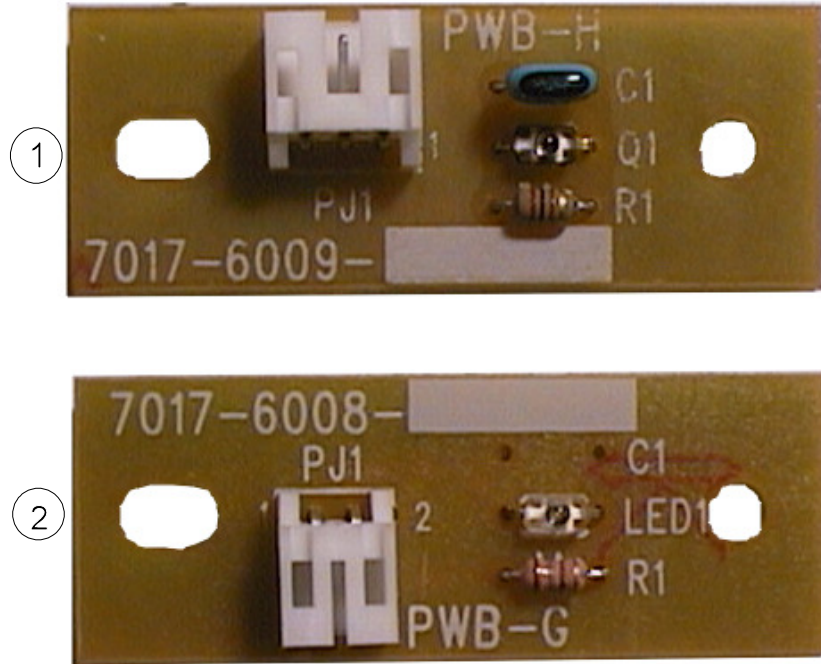
Used for Sensor S5 SPP - Paper Path
Sensor S7 SEPF - Empty Paper Fanfold



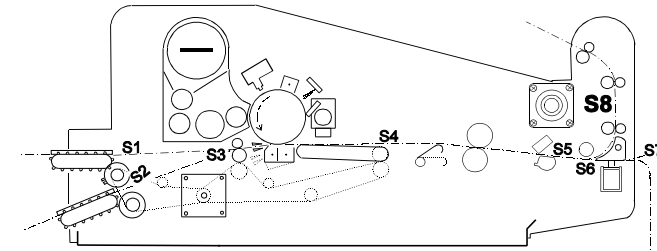
Pos	Parts Name	QTY	Order Number	4050	4050 MICR	4050 XP	4060
	Kit Sensor 1	1	8707 900 00031	x	x	x	x
	Kit Sensor 1 R	1	RoHS 8707 900 00219	x	x	x	x

Pos	Parts Name	QTY	Order Number	4050	4050 MICR	4050 XP	4060
	Kit Sensor 2		8707 900 00032	x	x	x	x
	Kit Sensor 2 R		RoHS 8707 900 00220	x	x	x	x

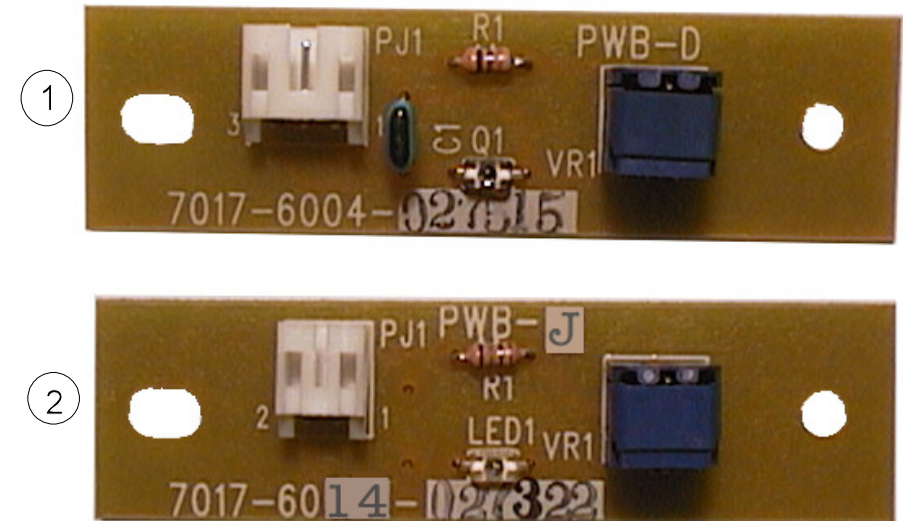
3.33 Kit Sensor 3
used for Waste Bottle



3.34 Kit Sensor 4



Sensor S8 SEPC - Empty Paper Cutsheet



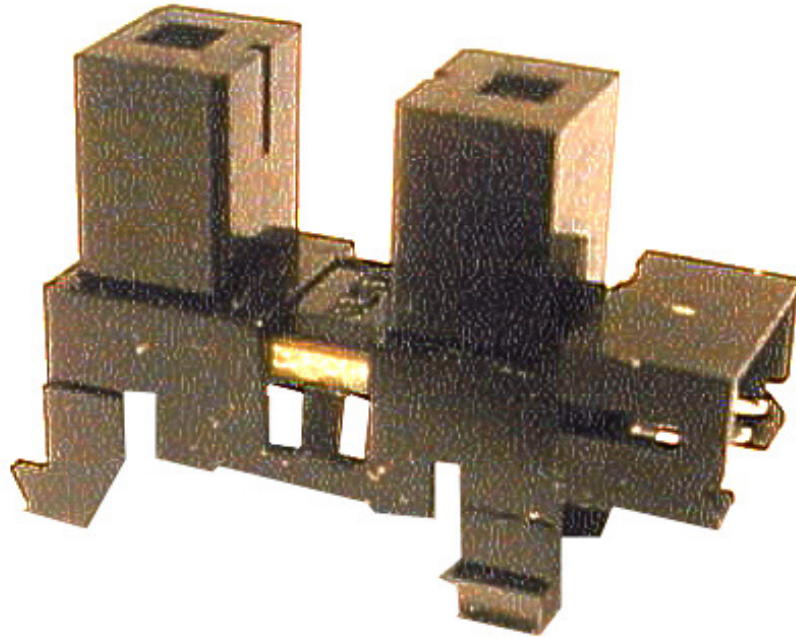
Pos	Parts Name	QTY	Order Number				
				4050	4050 MICR	4050 XP	4060
	Kit Sensor 3	1	8707 900 00033	x	x	x	x
	Kit Sensor 3 R	1	8707 900 00221	x	x	x	x

Pos	Parts Name	QTY	Order Number				
				4050	4050 MICR	4050 XP	4060
	Kit Sensor 4	1	8707 900 00034	x	x	x	
	Kit Sensor 4 R	1	8707 900 00222	x	x	x	

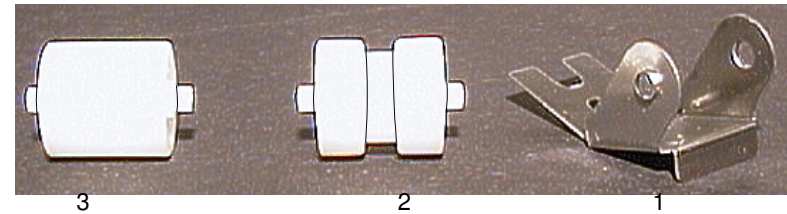


3.35 Light Sensors

used for 4x Bufferarm



3.36 Kit Press. Ex. Rollers



Pos	Parts Name	QTY	Order Number				
				4050	4050 MICR	4050 XP	4060
	Light Sensors	5	8707 900 00035	x	x	x	x
	Light Sensors R	5	RoHS 8707 900 00223	x	x	x	x

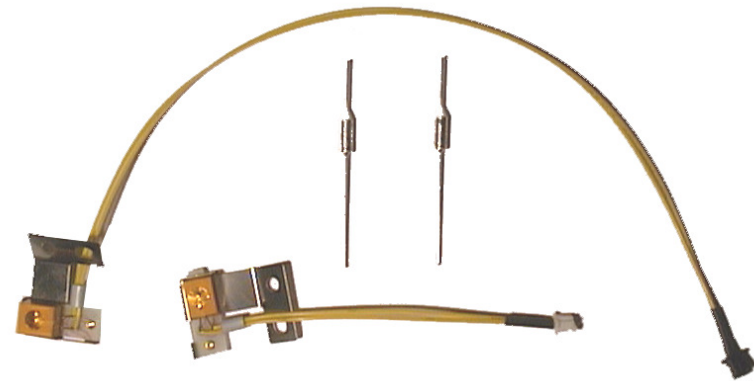
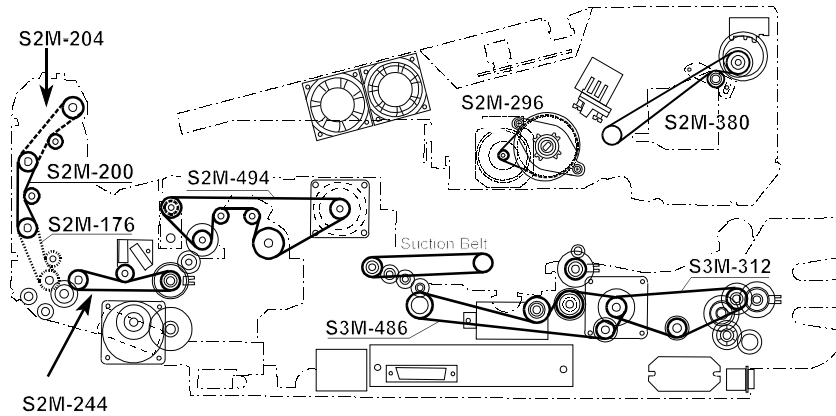
3-35

Pos	Parts Name	QTY	Order Number				
				4050	4050 MICR	4050 XP	4060
	Kit Press. Ex. Rollers		8707 900 00036	x	x	x	

3-36

3.37 Kit Belt 2

3.38 Kit Fuse & Thermistors

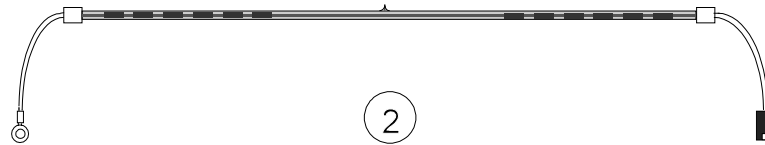
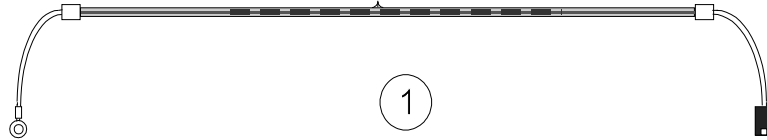


Pos	Parts Name	QTY	Order Number	Order Number			
				4050	4050 MICR	4050 XP	4060
	Kit Belt 2		8707 900 00110				
	S2M-494 (Fuser Drive)	1		x	x	x	x
	S3M-486 (Suction Unit)	1		x	x	x	x
	S3M-312 (Tractor Drive)	1		x	x	x	x
	S2M-296 (OPC Drive)	1		x	x	x	x
	S2M-380 (Developer)	1		x	x	x	x
	S2M-244 (Exit Drive)	1		x	x	x	x
	S2M-200 (Upper Output)	1		x	x	x	
	S2M-176 (Upper Output)	1		x	x	x	
	S2M-204 (Upper Output)	1		x	x	x	

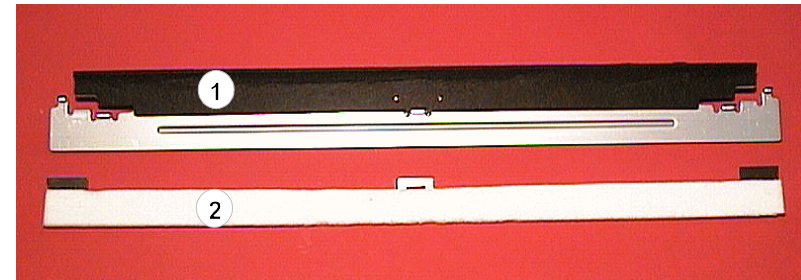
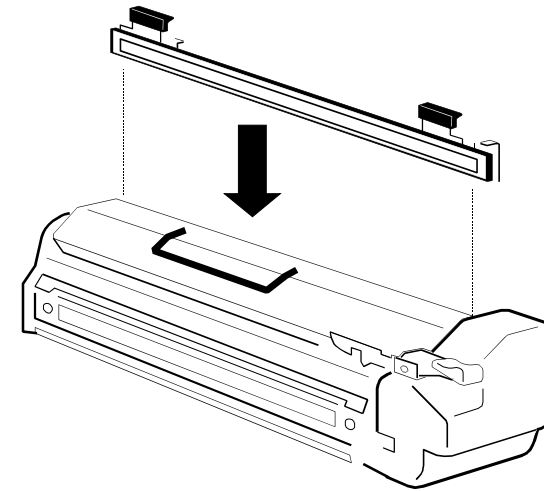
Pos	Parts Name	QTY	Order Number	Order Number			
				4050	4050 MICR	4050 XP	4060
	Kit Fuse & Thermistor		8707 900 00038	x	x	x	x
	Kit Fuse & Thermistor R		RoHS 8707 900 00224	x	x	x	x



3.39 Kit Heat Lamps



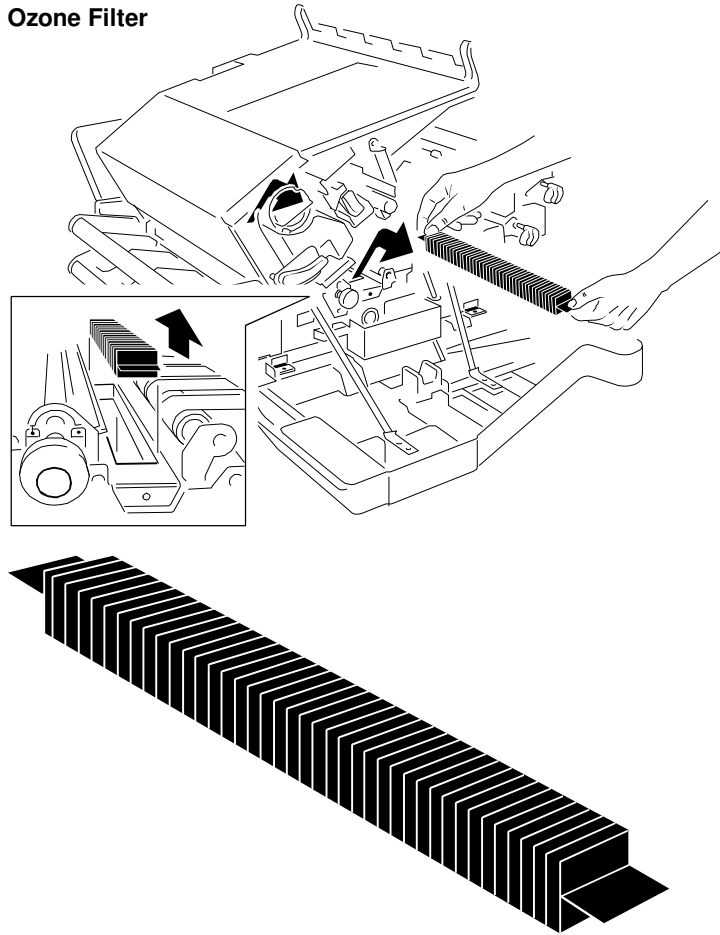
3.40 Kit Fuser Cleaner



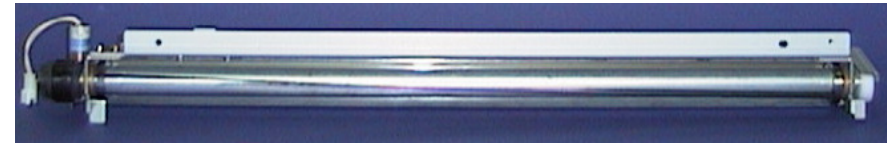
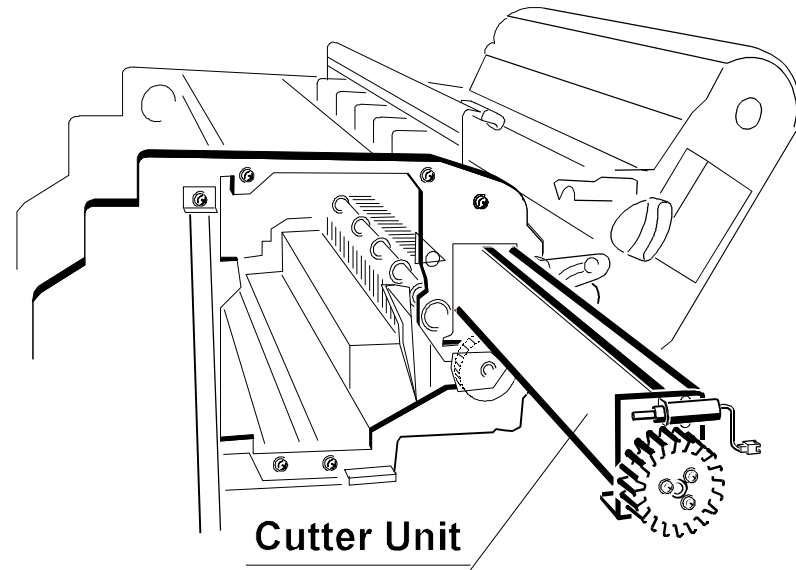
Pos	Parts Name	QTY	Order Number	4050	4050 MICR	4050 XP	4060
	Kit Heat Lamps	230V	8707 900 00039	x	x	x	x
		120V	8707 900 00040	x	x	x	x
		100V	8707 900 00041	x	x	x	
1	Heat Lamp 1	1					
2	Heat Lamp 2	1					

Pos	Parts Name	QTY	Order Number	4050	4050 MICR	4050 XP	4060
	Kit Fuser Cleaner 2		8707 900 00123	x	x	x	x
1	Fuser Cleaner Platen	1					
2	Fuser Cleaner Felt	5					
	Kit Fuser Cleaner 2 R		RoHS 8707 900 00253	x	x	x	x

3.41 Kit Ozone Filter



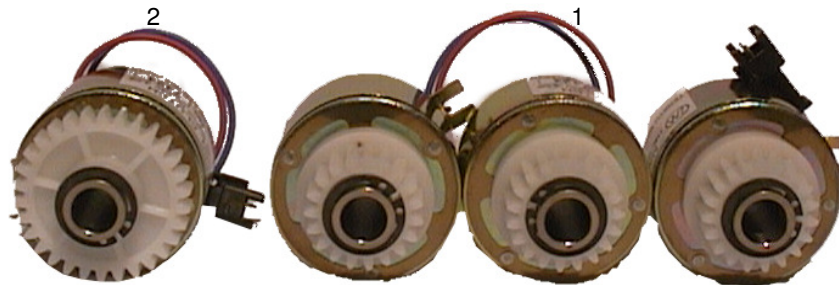
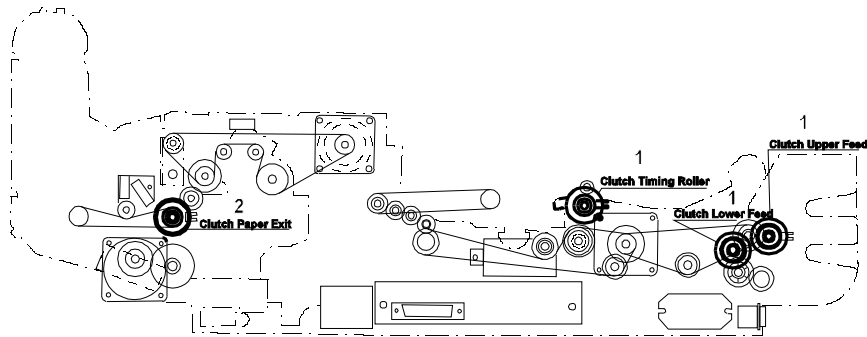
3.42 Cutter Unit



Pos	Parts Name	QTY	Order Number	Order Number			
				4050	4050 MICR	4050 XP	4060
	Kit Ozone Filter Lower	5	8707 900 00043	x	x	x	x

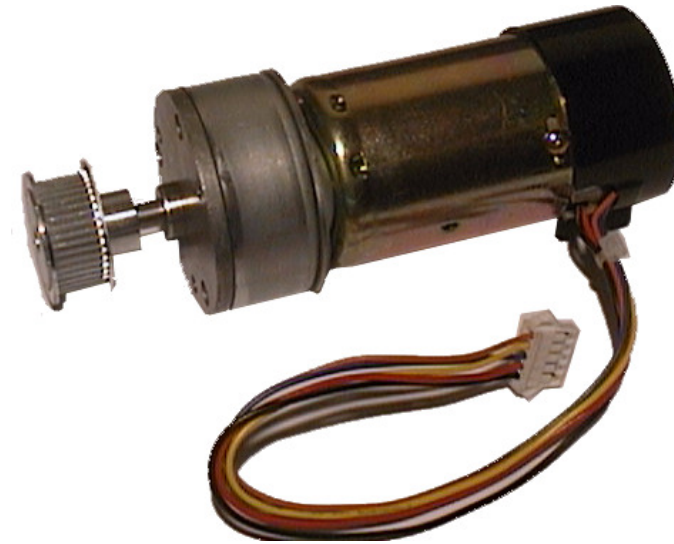
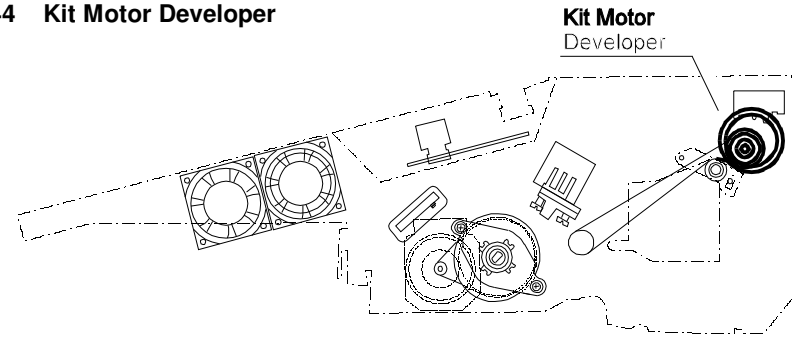
Pos	Parts Name	QTY	Order Number	Order Number			
				4050	4050 MICR	4050 XP	4060
	Cutter Unit	1	8707 900 00050	x	x	x	x
	Cutter Unit R	1	RoHS 8707 900 00225	x	x	x	x

3.43 Kit Clutches



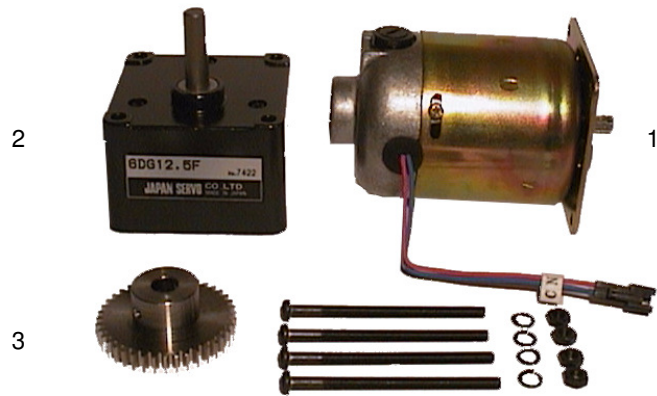
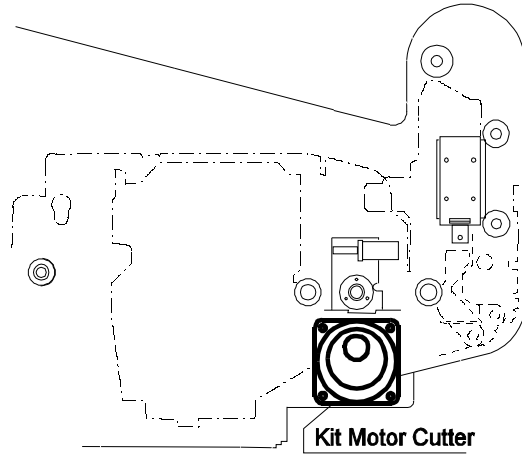
Pos	Parts Name	QTY	Order Number	4050	4050 MICR	4050 XP	4060
	Kit Clutches		8707 900 00051	x	x	x	x
	Kit Clutches R		8707 900 00226	x	x	x	x
1	Clutch Paper Feed	3					
2	Clutch Paper Exit	1					

3.44 Kit Motor Developer



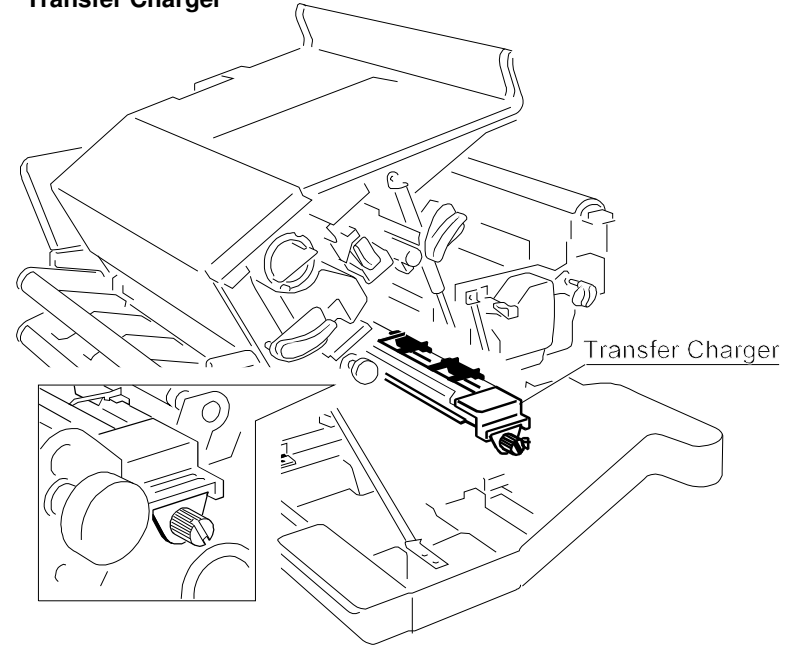
Pos	Parts Name	QTY	Order Number	4050	4050 MICR	4050 XP	4060
	Kit Motor Developer	1	8707 900 00052	x	x	x	
	Kit Motor Developer R	1	8707 900 00227	x	x	x	
	Kit Motor Developer 4060		8707 900 00102				x
	Kit Motor Developer 4060 R		8707 900 00242				x

3.45 Kit Motor Cutter



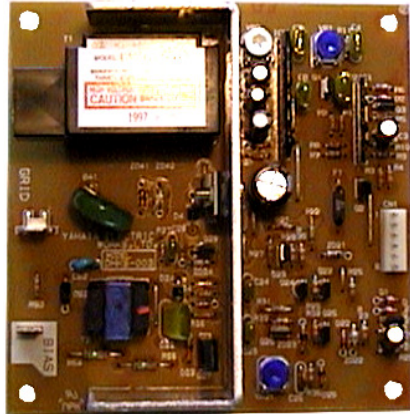
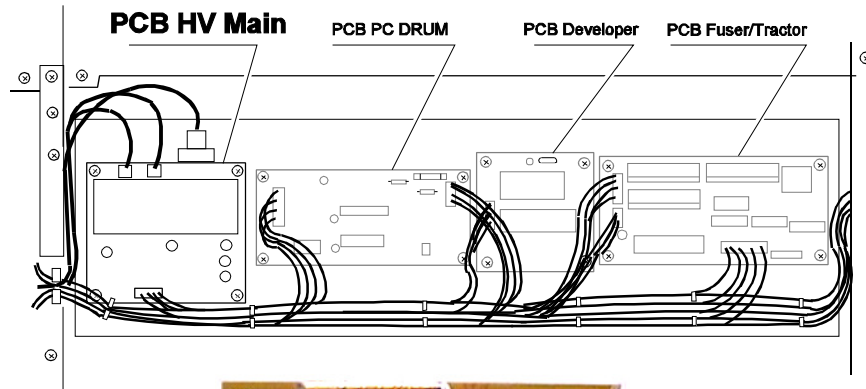
Pos	Parts Name	QTY	Order Number	Order Number			
				4050	4050 MICR	4050 XP	4060
	Kit Motor Cutter		8707 900 00053	x	x	x	
	Kit Motor Cutter R		8707 900 00228	x	x	x	
	Kit Motor Cutter 4060		8707 900 00103				x
	Kit Motor Cutter 4060 R		8707 900 00243				x

3.46 Transfer Charger

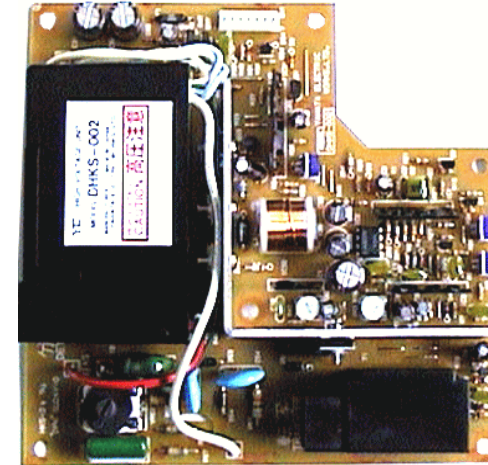
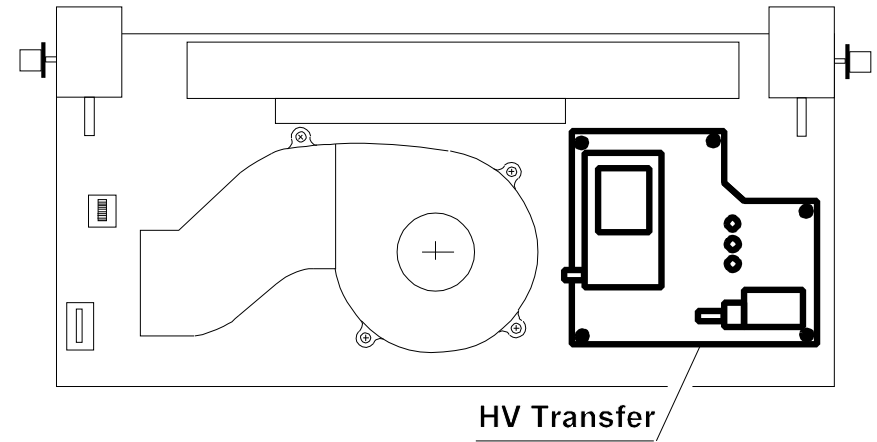


Pos	Parts Name	QTY	Order Number	Order Number			
				4050	4050 MICR	4050 XP	4060
	Transfer Charger	1	8707 900 00060	x	x	x	x

3.47 PCB HV Main



3.48 PCB HV Transfer

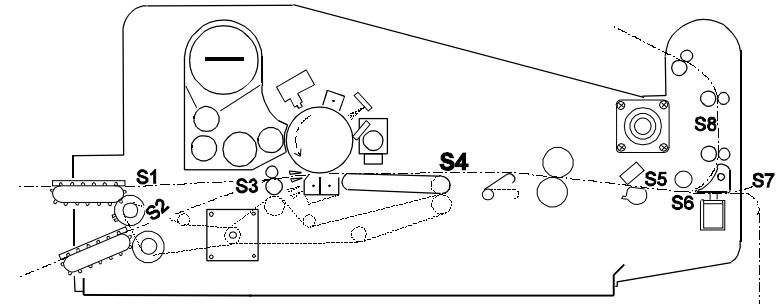
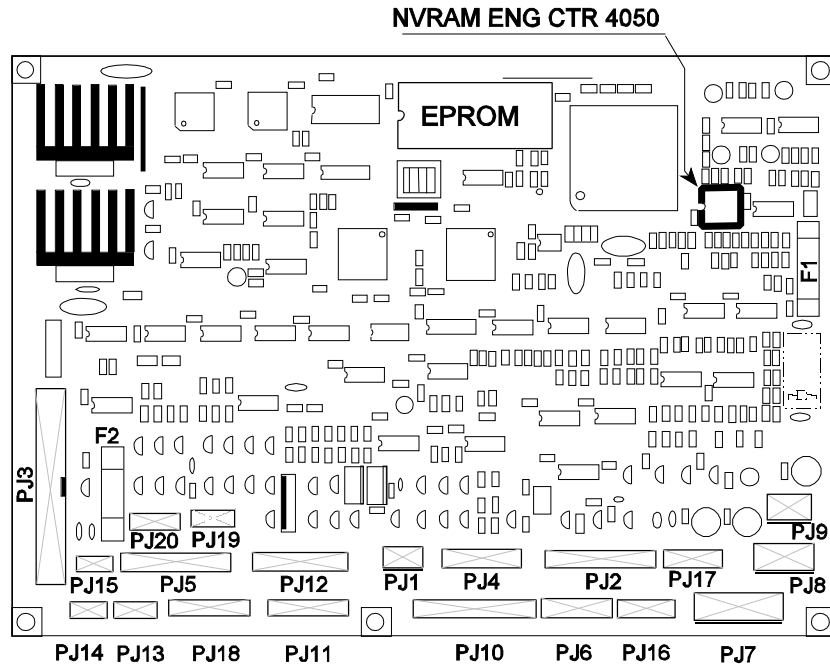


Pos	Parts Name	QTY	Order Number				
				4050	4050 MICR	4050 XP	4060
	PCB HV Main	1	8707 900 00061	x		x	
	PCB HV Main R	1	8707 900 00229	x		x	
	PCB HV Main 4050 MICR	1	8707 900 00108		x		
	PCB HV Main 4050 MICR R	1	8707 900 00245				
	PCB HV Main 4060	1	8707 900 00101				x
	PCB HV Main 4060 R	1	8707 900 00241				x
	PCB HV Main 4060 MICR	1	8707 900 00122				x
	PCB HV Main 4060 MICR R	1	8707 900 00252				x

Pos	Parts Name	QTY	Order Number				
				4050	4050 MICR	4050 XP	4060
	PCB HV Transfer	1	8707 900 00062	x	x	x	x
	PCB HV Transfer R	1	8707 900 00230	x	x	x	x

3.49 NVRAM Engine CTR

3.50 SSPJ Sensor



Sensor S4 SSPJ - Suction Area Paper Jam

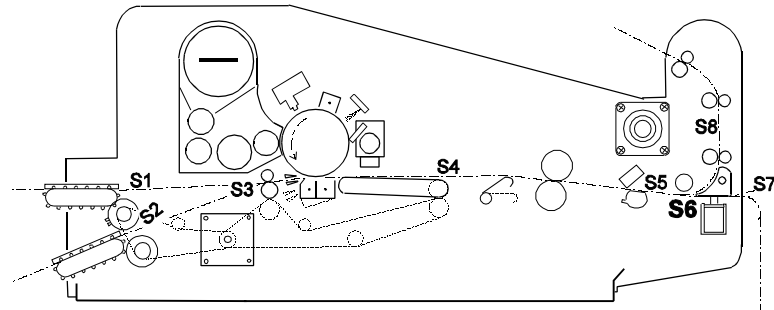


Pos	Parts Name	QTY	Order Number	Order Number			
				4050	4050 MICR	4050 XP	4060
	NVRAM Engine CTR	1	8707 900 00063	x			

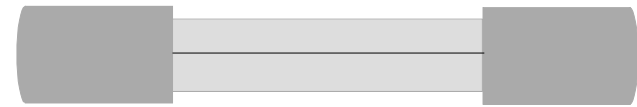
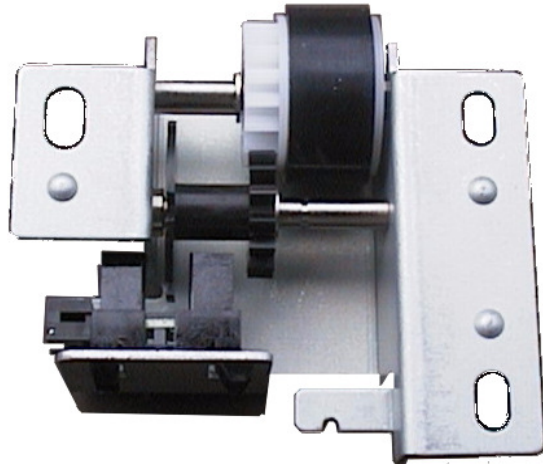
Pos	Parts Name	QTY	Order Number	Order Number			
				4050	4050 MICR	4050 XP	4060
	Sensor SSPJ	1	8707 900 00065	x	x	x	x
	Sensor SSPJ R	1	RoHS 8707 900 00231	x	x	x	x

3.51 SPJ Sensor

3.52 Kit Fuses



Sensor S6 SPJ - Paper Jam Detection (by rotary encoder)

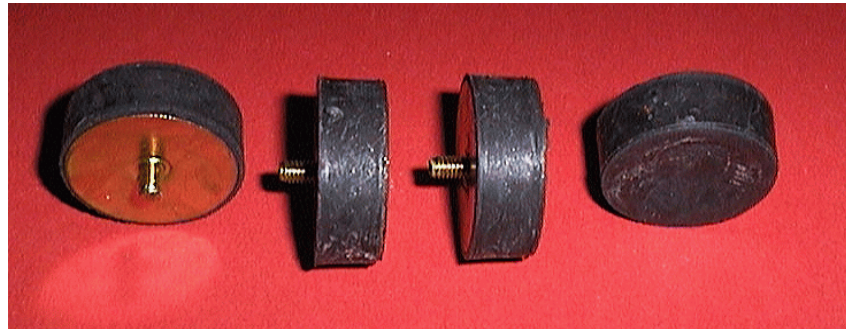


Pos	Parts Name	QTY	Order Number				
				4050	4050 MICR	4050 XP	4060
	Sensor SPJ	1	8707 900 00066	x	x	x	x
	Sensor SPJ R	1	RoHS 8707 900 00232	x	x	x	x

Pos	Parts Name	QTY	Order Number				
				4050	4050 MICR	4050 XP	4060
	Kit Fuse Eng CTR		8707 900 00067	x			
	Fuse 2A	5					
	Kit Fuse PCB PC Drum		8707 900 0068	x	x	x	x
	Fuse 2A	5					

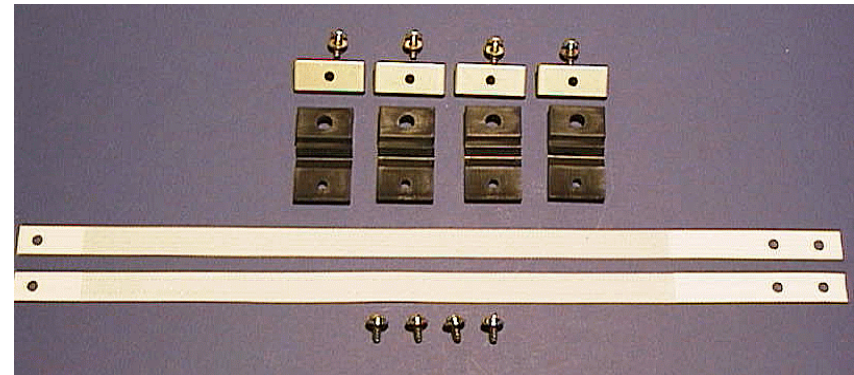


3.53 KIT RUBBER FEET



Pos	Parts Name	QTY	Order Number				
				4050	4050 MICR	4050 XP	4060
	Kit Rubber Feet	1	8707 900 00073	x	x	x	x

3.54 KIT MOUNTING PARTS FRONT COVER

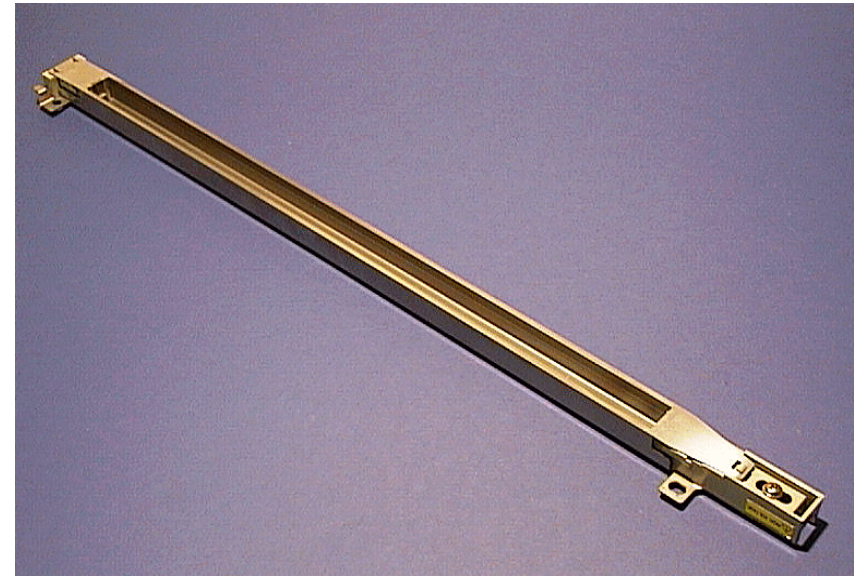
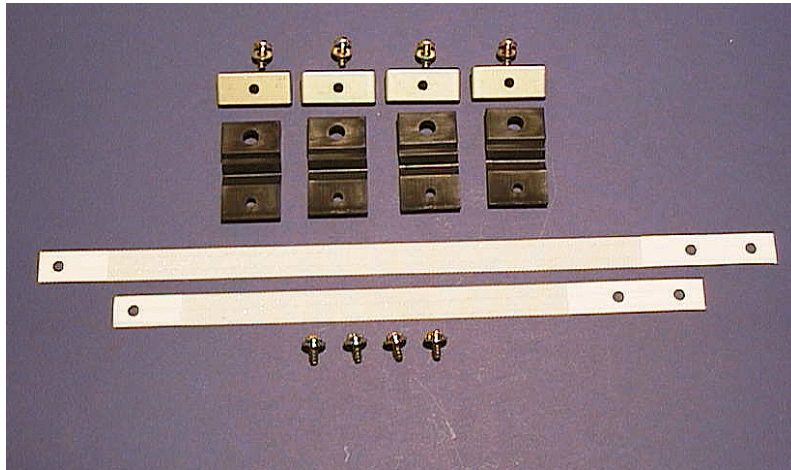


Pos	Parts Name	QTY	Order Number				
				4050	4050 MICR	4050 XP	4060
	Kit Mounting Parts Front Cover	1	8707 900 00074	x	x	x	x
	Kit Mounting Parts Front Cover R	1	RoHS 8707 900 00233	x	x	x	x

3.55 KIT MOUNTING PARTS REAR COVER

3.56 MAIN CHARGER

(Location: PC Drum)



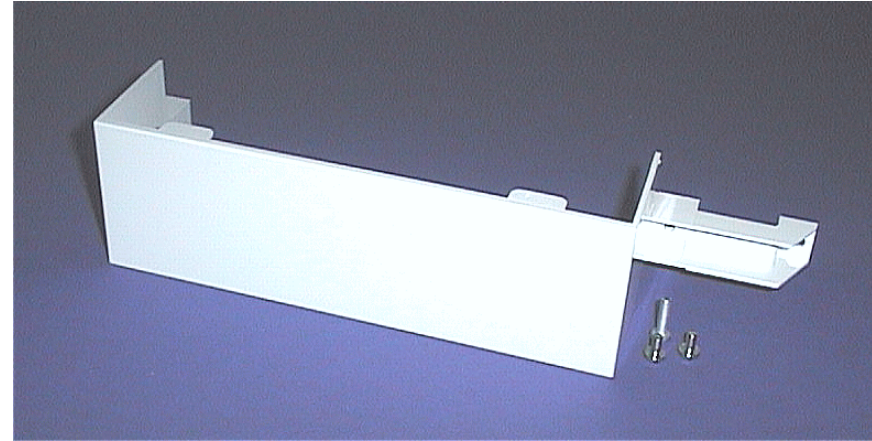
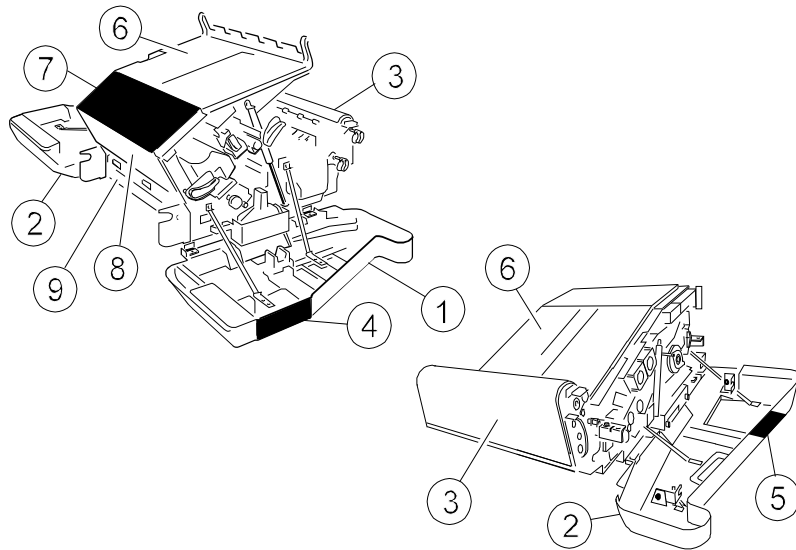
Pos	Parts Name	QTY	Order Number				
				4050	4050 MICR	4050 XP	4060
	Kit Mounting Parts Rear Cover	1	8707 900 00075	x	x	x	x
	Kit Mounting Parts Rear Cover R	1	8707 900 00234	x	x	x	x

Pos	Parts Name	QTY	Order Number				
				4050	4050 MICR	4050 XP	4060
	Main Charger	1	8707 900 00076	x	x	x	x



3.57 HOUSING

3.58 FRAME WASTE TONER BOTTLE

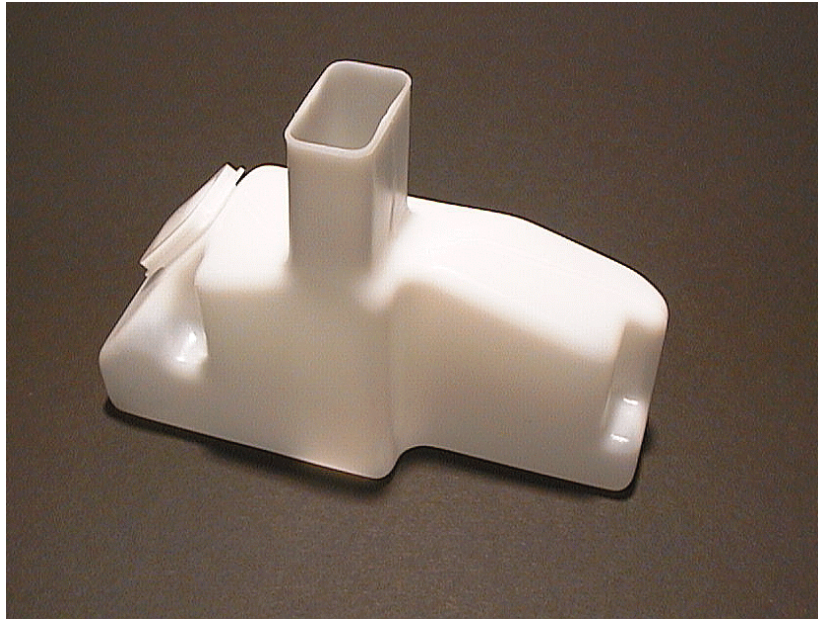


P o s	Parts Name	Q T Y	Order Number	4050	4050 MICR	4050 XP	4060
				x	x	x	x
1	Front Cover	1	8707 900 00077	x	x	x	x
1	Front Cover R	1	RoHS 8707 900 00235	x	x	x	x
2	Rear Cover	1	8707 900 00078	x	x	x	x
2	Rear Cover R	1	RoHS 8707 900 00236	x	x	x	x
3	Right Cover	1	8707 900 00079	x	x	x	x
4	Front Upper Cover (black)	1	8797 900 00080	x	x	x	
5	Rear Upper Cover (black)	1	8707 900 00081	x	x	x	
6	Top Cover	1	8707 900 00082	x	x	x	x
7	Top Cover (black) 4050	1	8707 900 00083	x	x	x	
8	Left Upper Cover	1	8707 900 00084	x	x	x	x
9	Left Lower Cover	1	8707 900 00085	x	x	x	x
4	Front Upper Cover (blue)	1	8707 900 00104				x
5	Rear Upper Cover (blue)	1	8707 900 00105				x
7	Top Cover (blue) 4060	1	8707 900 00106				x

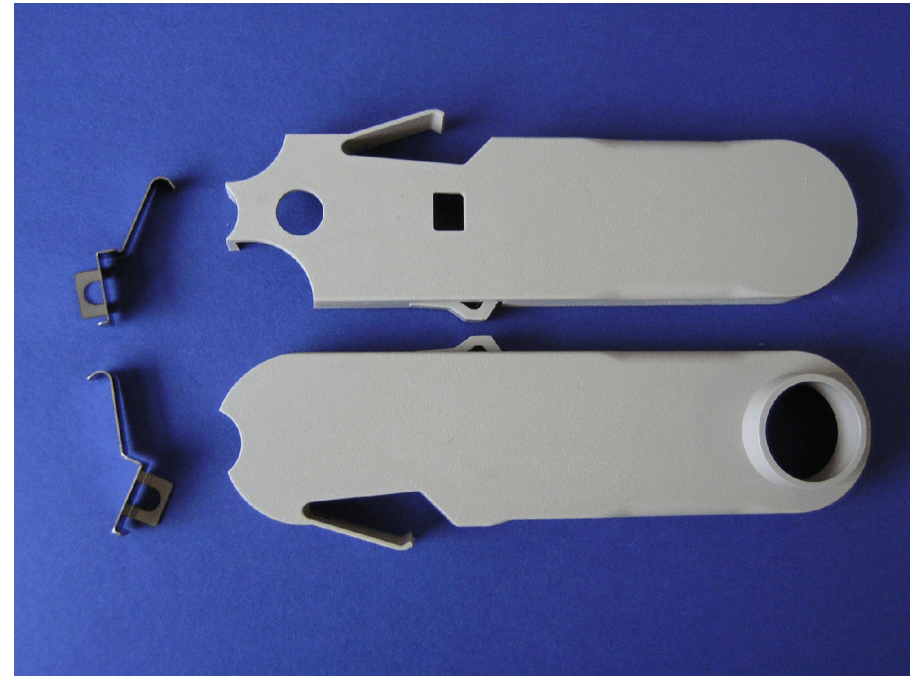
P o s	Part Number	Q T Y	Order Number	4050	4050 MICR	4050 XP	4060
				x	x	x	x
	Frame Waste Toner Bottle	1	8707 900 00086	x	x	x	x



3.59 KIT WASTE TONER BOTTLE



3.60 KIT TRACTOR COVER



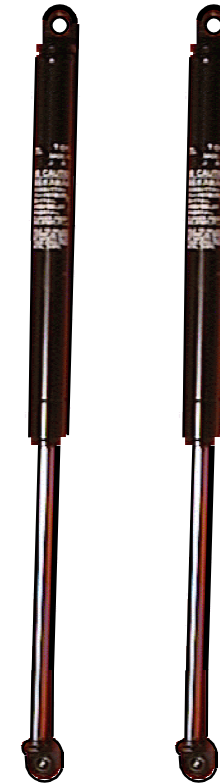
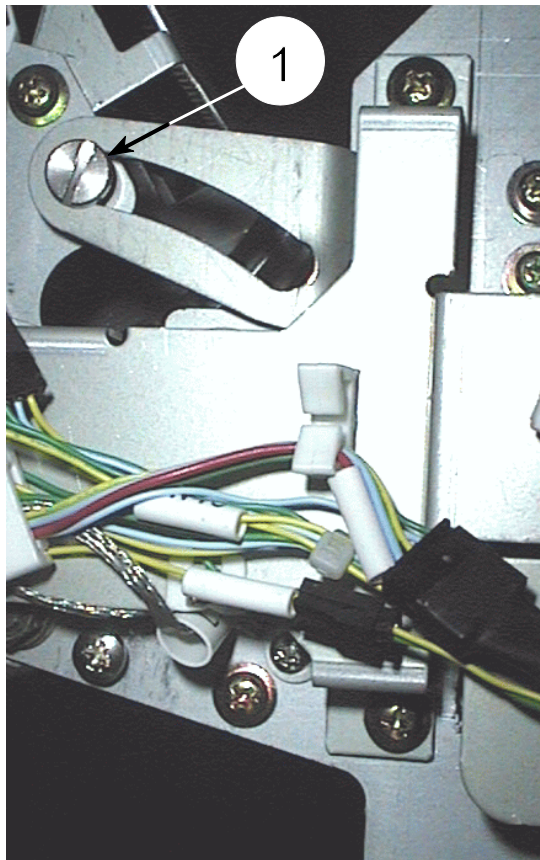
Pos	Parts Name	QTY	Order Number	4050	4050 MICR	4050 XP	4060
	Kit Waste Toner Bottle	5	8707 900 00087	x	x	x	x

Pos	Parts Name	QTY	Order Number	4050	4050 MICR	4050 XP	4060
	Kit Tractor Cover		8707 900 00088	x	x	x	x
	Tractor Side Cover Left	1					
	Spring Left	1					
	Tractor Side Cover Right	1					
	Spring Right	1					



3.61 Kit Paper Exit Stop

3.62 Kit Gas Strut

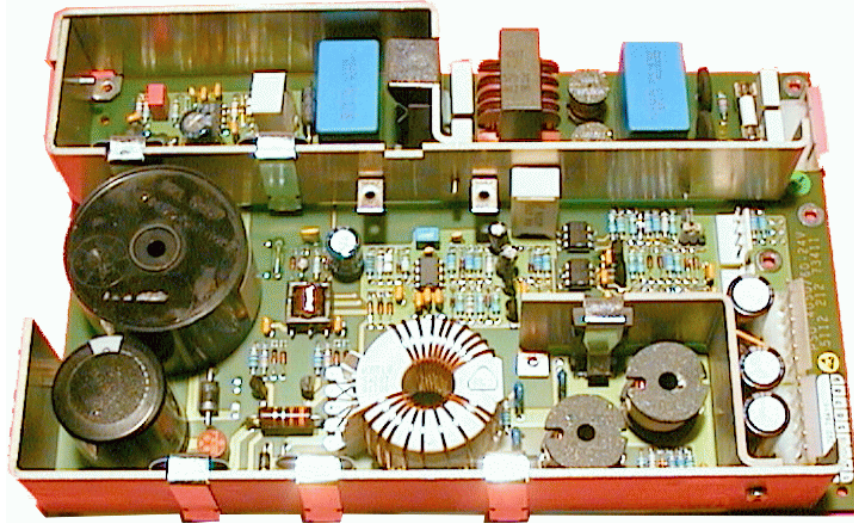


Pos	Parts Name	QTY	Order Number				
				4050	4050 MICR	4050 XP	4060
	Kit Paper Exit Stop	3	8707 900 00089	x	x	x	x
1	Bolt	6					
	Washer	12					
	Nut	6					

Pos	Part Number	QTY	Order Number				
				4050	4050 MICR	4050 XP	4060
	Kit Gas Strut		8707 900 00090	x	x	x	x
	Gas Strut	2					

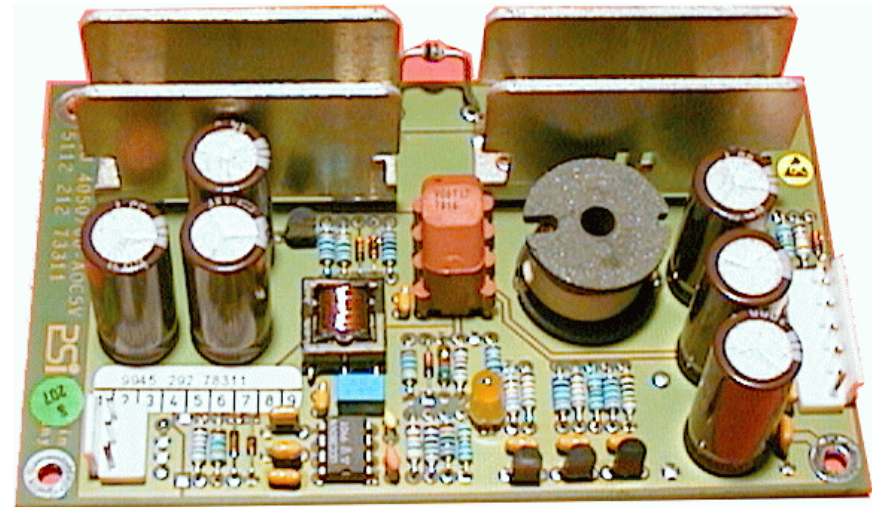
3.63 Power Supply 24 Volt 4050 / 4060

Note: The Power Supply 24 Volt is repairable.



Note: The Power Supply 24 Volt will be delivered including a fan, but it is missing in this picture!

3.64 Power Supply 5 Volt Conv. 4050 / 4060



Pos	Parts Name	QTY	Order Number				
				4050	4050 MICR	4050 XP	4060
	Power Supply 24V 4050/4060	1	8707 900 00091	x	x	x	x
	Power Supply 24V 4050/4060 R	1	RoHS 8707 900 00237	x	x	x	x

Pos	Parts Name	QTY	Order Number				
				4050	4050 MICR	4050 XP	4060
	Power Supply 5V Conv.	1	8707 900 00092	x	x	x	x
	Power Supply 5V Conv. R	1	RoHS 8707 900 00238	x	x	x	x

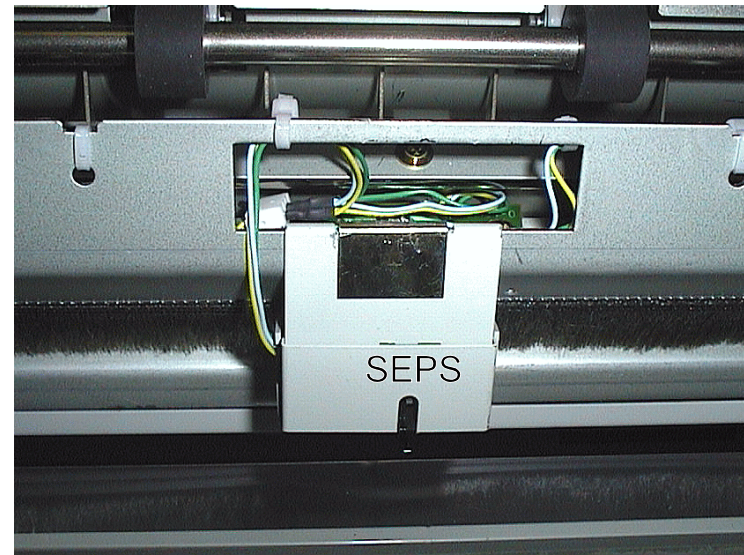
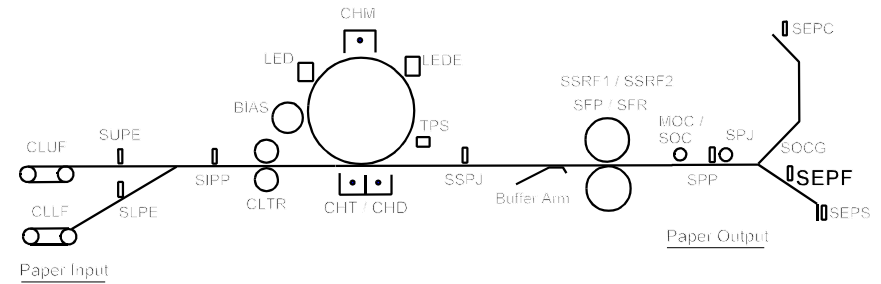
3.65 CU 4050 / 4060 PI



Note: The control unit is repairable

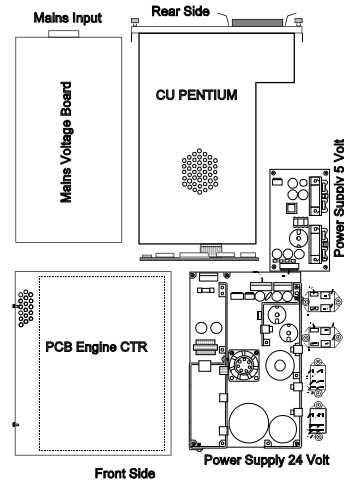
P o s	Parts Name	Q T Y	Order Number				
				4050	4050 MICR	4050 XP	4060
	CU 4050 / 4060 PI	1	8707 900 00093			x	x
	CU 4050 / 4060 PII	1	8707 900 00130			x	x
	CU 4x50/4x60 P II 3 R	1	8707 900 00270			x	x
	CU 4x50/4x60 P II 6 R	1	8707 900 00272				

3.66 Sensor Exit Paper Stacker (SEPS)

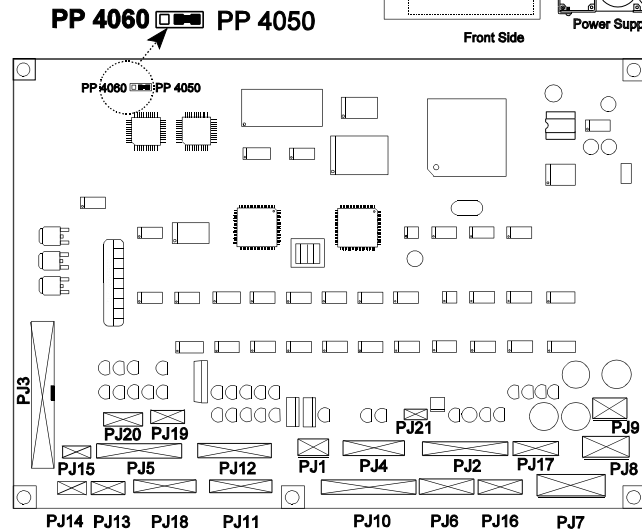


P o s	Parts Name	Q T Y	Order Number				
				4050	4050 MICR	4050 XP	4060
	Sensor Exit Paper Stacker	1	8707 900 00099	x	x	x	x
	Sensor Exit Paper Stacker R	1	8707 900 00261	x	x	x	x

3.67 PCB Engine CTR 4050 / 4060



Note: The PCB is repairable



3.68 Pulley Developer Drive 4050/4060



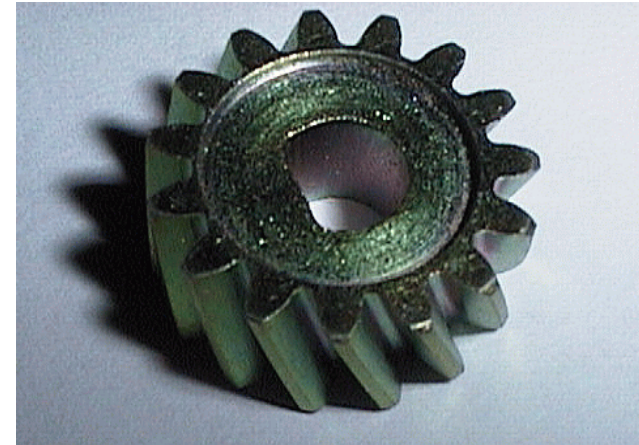
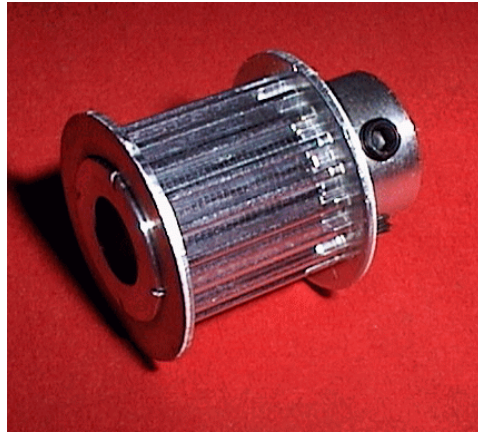
P o s	Parts Name	Q T Y	Order Number				
				4050	4050 MICR	4050 XP	4060
	PCB Engine CTR 4050/4060	1	8707 900 00107	x	x	x	x
	PCB Engine CTR 4050/4060 R	1	RoHS 8707 900 00244	x	x	x	x

P o s	Parts Name	Q T Y	Order Number				
				4050	4050 MICR	4050 XP	4060
	Pulley Developer Drive 4060	1	8707 900 00114				x
	Pulley Developer Drive 4060 R	1	RoHS 8707 900 00246				x
	Pulley Developer Drive 4050	1	8707 900 00115	x	x	x	
	Pulley Developer Drive 4050 R	1	RoHS 8707 900 00247	x	x	x	



3.69 Pulley Paper Feed

3.70 Gear Developer Drive



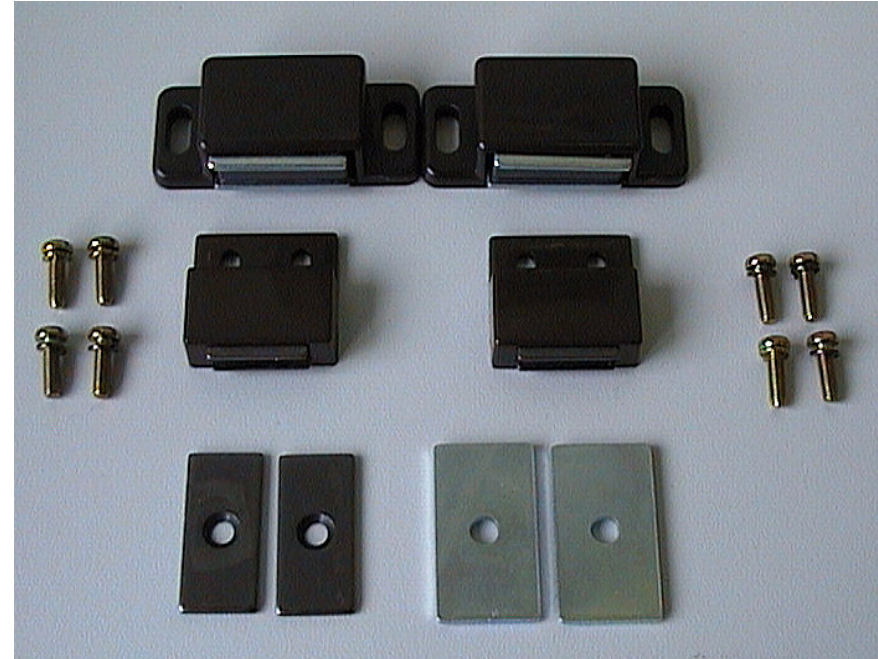
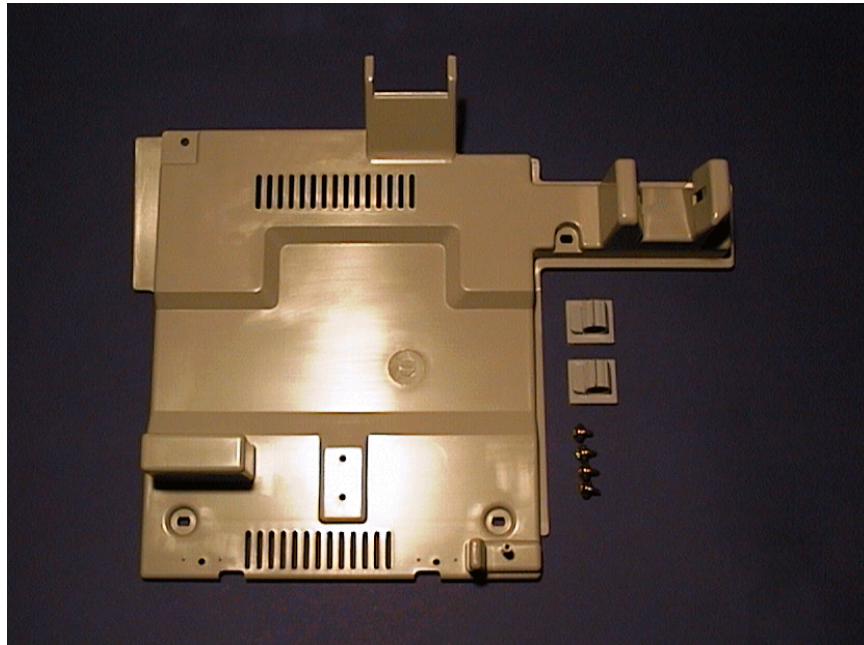
P o s	Parts Name	Q T Y	Order Number	4050	4050 MICR	4050 XP	4060
	Pulley Paper Feed	1	8707 900 00116	x	x	x	x
	Pulley Paper Feed R	1	RoHS 8707 900 00248	x	x	x	x

P o s	Parts Name	Q T Y	Order Number	4050	4050 MICR	4050 XP	4060
	Gear Developer Drive	1	8707 900 00117	x	x	x	x
	Gear Developer Drive R	1	RoHS 8707 900 00249	x	x	x	x



3.71 Inner OP Cover

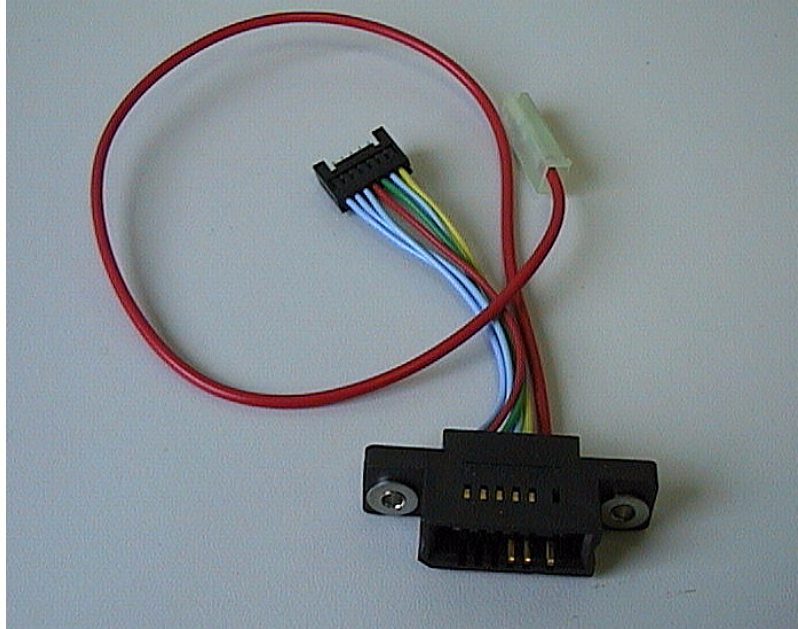
3.72 Kit Magnetic Catches



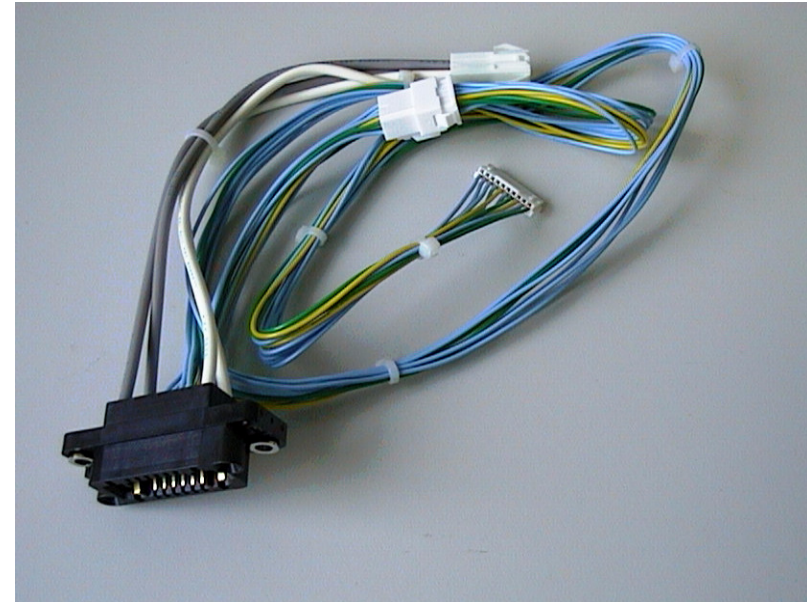
P o s	Parts Name	Q T Y	Order Number	4050	4050 MICR	4050 XP	4060
				x	x	x	x
	Inner OP Cover	1	8707 900 00118	x	x	x	x

P o s	Parts Name	Q T Y	Order Number	4050	4050 MICR	4050 XP	4060
				x	x	x	x
	Kit Magnetic Catches	1	8707 900 00119	x	x	x	x

3.73 Harness Developer Connector



3.74 Harness Fuser Connector



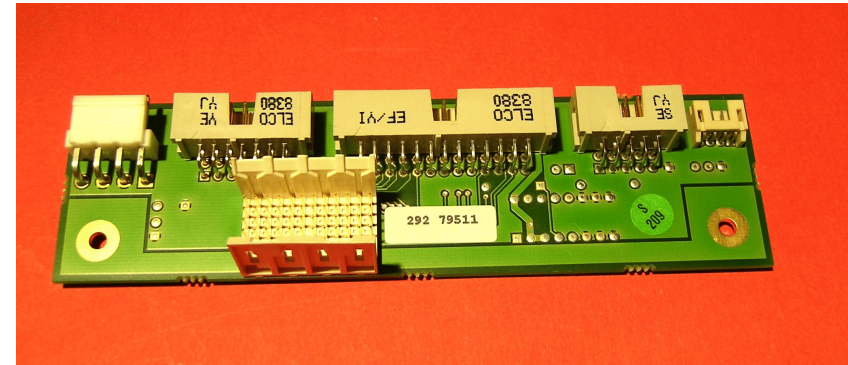
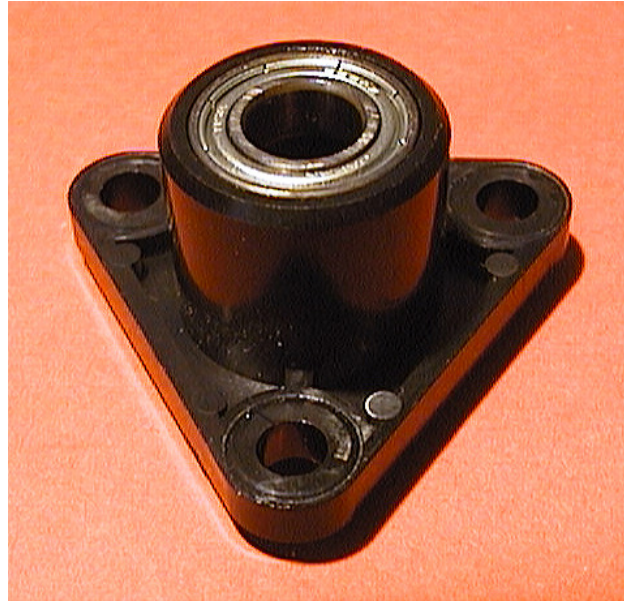
P o s	Parts Name	Q T Y	Order Number	4050	4050 MICR	4050 XP	4060
	Harness Developer Conn.	1	8707 900 00120	x		x	
	Harness Developer Conn.	1	RoHS 8707 900 00250	x		x	
	Harness Developer						
	Connector MICR/4060	1	8707 900 00141		x		x
	Harness Developer						
	Connector MICR/4060 R	1	RoHS 8707 900 00255		x		x

P o s	Parts Name	Q T Y	Order Number	4050	4050 MICR	4050 XP	4060
	Harness Fuser Connector	1	8707 900 00121	x	x	x	x
	Harness Fuser Connector R	1	RoHS 8707 900 00251	x	x	x	x



3.75 Kit Bearing Fuser Retract

3.76 PCB Backpanel 4050XP/4060



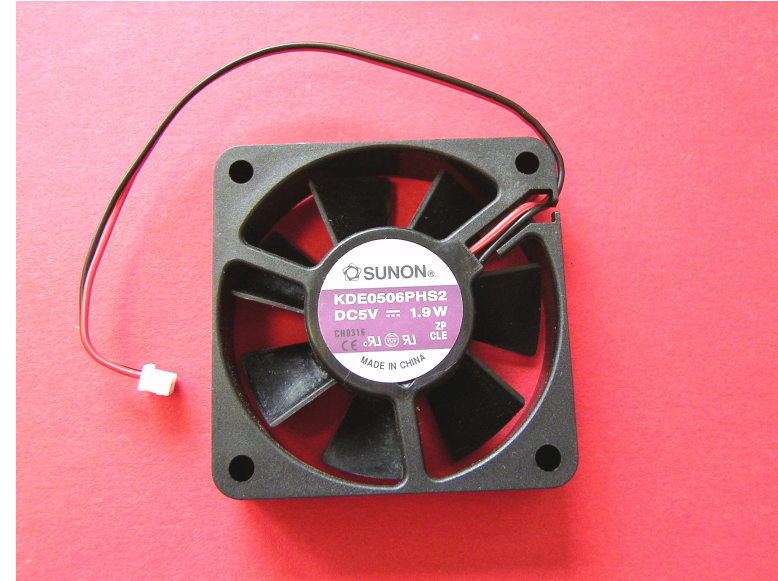
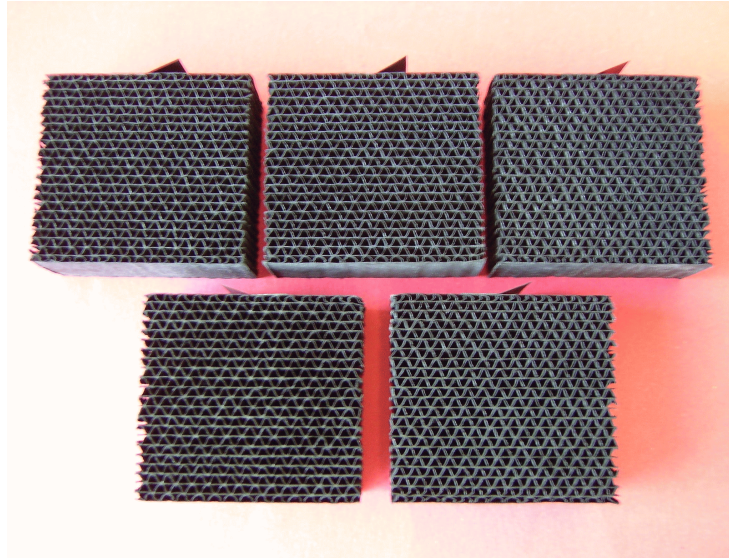
P O S	Parts Name	Q T Y	Order Number	4050	4050 MICR	4050 XP	4060
	Kit Bearing Fuser Retract	1	8707 900 00128	x	x	x	x

P O S	Part Number	Q T Y	Order Number	4050	4050 MICR	4050 XP	4060
	PCB Backpanel 4050/4060	1	8707 900 00129			x	x
	PCB Backpanel 4050/4060 R	1	RoHS 8709 900 00271			x	x



3.77 Ozone Filter Upper

3.78 Fan CU 4050XP/4060 / Fan CU 4050/4060



P o s	Parts Name	Q T Y	Order Number				
				4050	4050 MICR	4050 XP	4060
1	Ozone Filter Upper	5	8707 900 00131	x	x	x	x

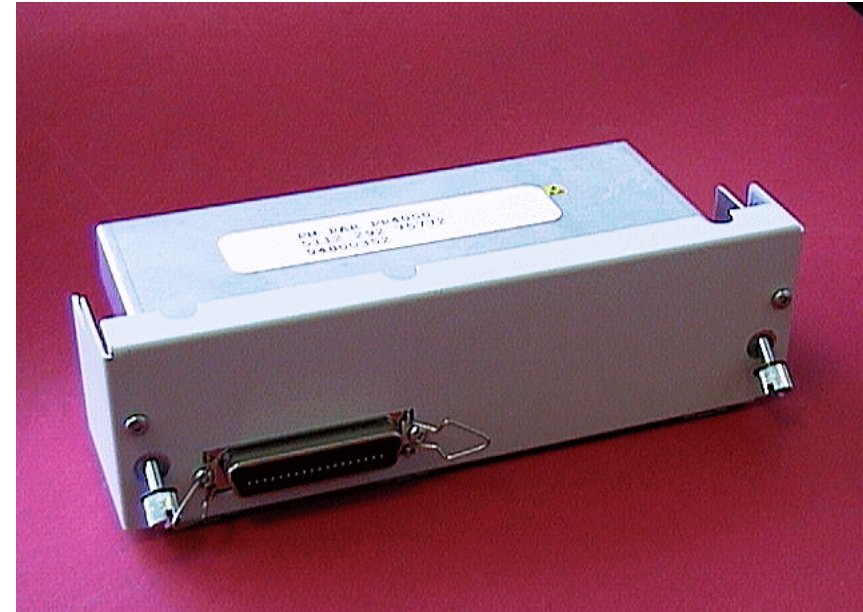
P o s	Parts Name	Q T Y	Part Number	Order Number			
					4050	4050 MICR	4050 XP 4060
1	Fan CU 4050XP/4060	1		8707 900 00132		x	x
2	Fan CU 4050 / 4060 PII	1		8707 900 00138		x	x



3.80 Clutch Cutter



3.81 PM Parallel PP4050 / PM Ethernet



Pos. 1

Pos. 2 without Illustration

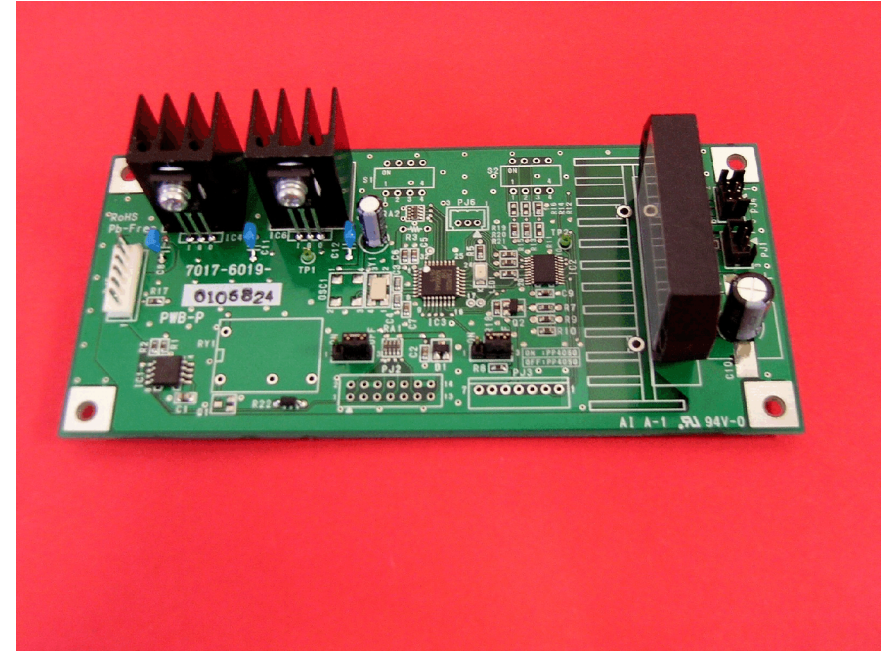
P o s	Parts Name	Q T Y	Part Number	Order Number	4050	4050 MICR	4050 XP	4060
					x	x	x	x
1	Clutch Cutter	5		8707 900 00134	x	x	x	x

P o s	Parts Name	Q T Y	Part Number	Order Number	4050	4050 MICR	4050 XP	4060
					x	x		
1	PM Parallel PP4050	1		8707 400 90101	x	x		
2	PM Ethernet 10/100 MBit	1		8707 400 90103	x	x		



3.81 Transfer Guide Assembly

3.82 Motor Driver Board PC Drum R



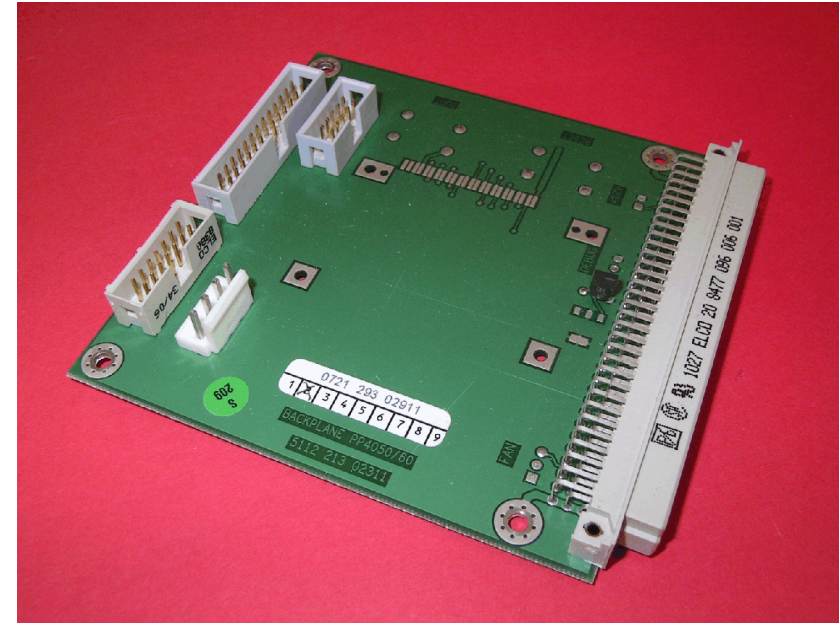
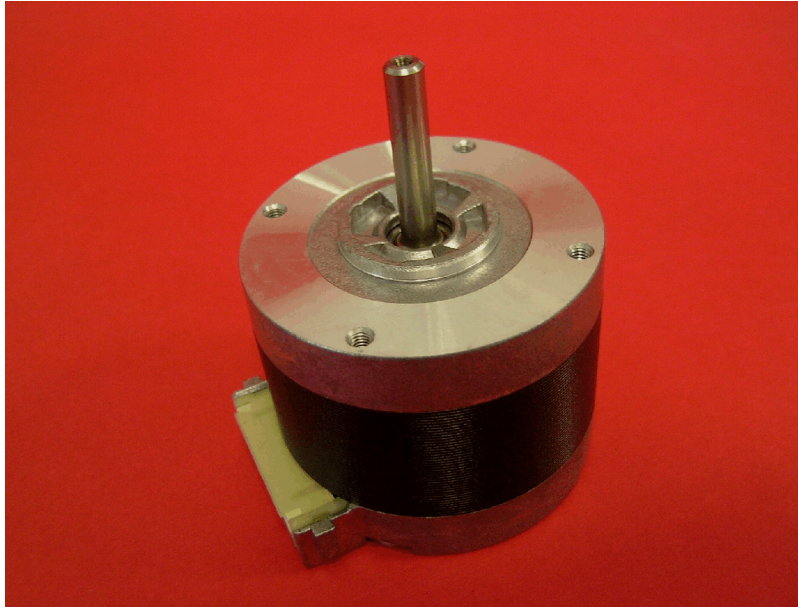
Pos	Parts Name	QTY		Order Number	Order Number			
					4050	4050 MICR	4050 XP	4060
	Transfer Guide Assembly	1		8707 900 00142	x	x	x	x
	Transfer Guide Assembly	1	RoHS	8707 900 00268	x	x	x	x

Pos	Parts Name	QTY		Order Number	Order Number			
					4050	4050 MICR	4050 XP	4060
	Motor Driver Board							
	PC Drum R	1	RoHS	8707 900 00213			x	x



3.83 Stepping Motor PC Drum R

3.84 PCB Backplane 4050XP/4060 R



Pos	Parts Name	QTY		Order Number				
					4050	4050 MICR	4050 XP	4060
	Stepping Motor							
	PC Drum R	1	RoHS	8707 900 00240			x	x

Pos	Parts Name	QTY		Order Number				
					4050	4050 MICR	4050 XP	4060
	PCB Backplane							
	4050XP/4060 R	1	RoHS	8707 900 00264			x	x

3.85 PCB CU LPC R



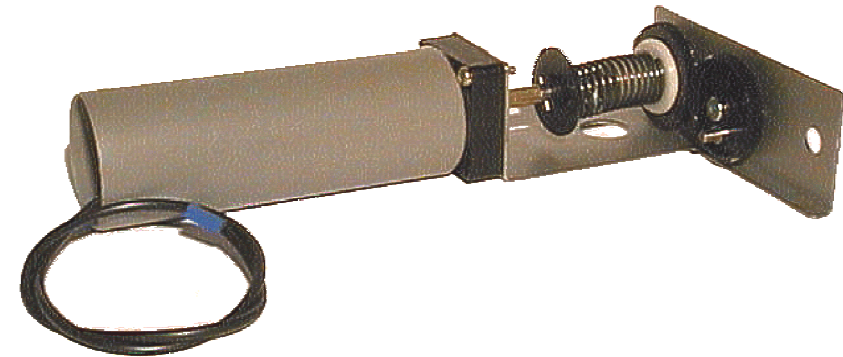
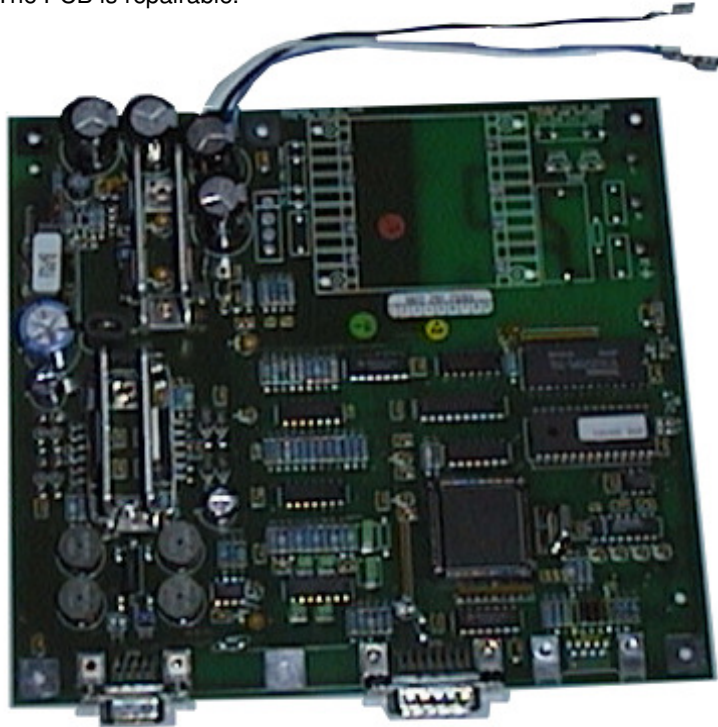
Pos	Parts Name	QTY	RoHS	Order Number	4050	4050 MICR	4050 XP	4060
							x	x
	PCB CU LPC R	1	RoHS	8707 900 00265			x	x

4. Spare Parts for the intelligent Paper Stacker (iPS)

4.2 Motor Pendulum 4050

4.1 PCB ASCO 4050

Note: The PCB is repairable.

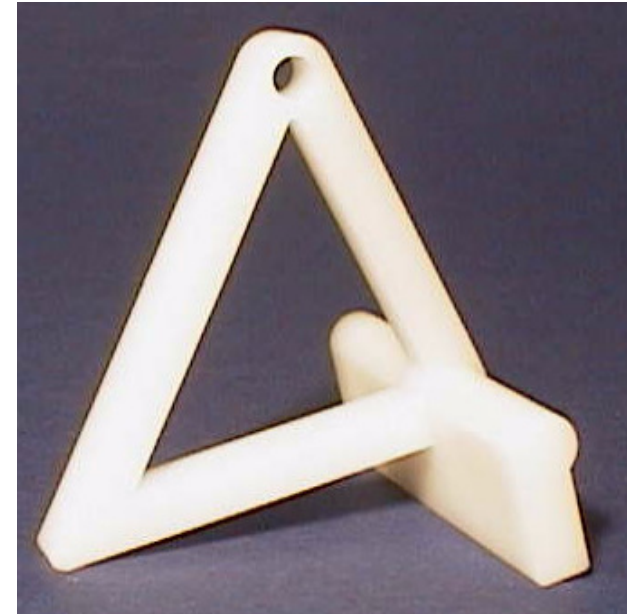
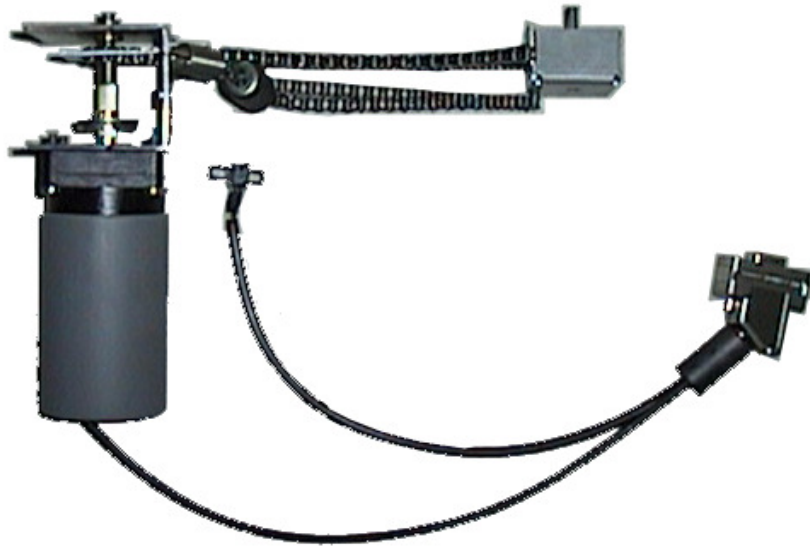


Pos	Parts Name	QTY	Order Number	iPS 4050			
	PCB ASCO 4050	1	8707 900 00055	x			

Pos	Parts Name	QTY	Order Number	iPS 4050			
	Motor Pendulum 4050	1	8707 900 00056	x			

4.3 Motor Fanfold Tray 4050

4.4 Kit Flaps 4050



Pos	Parts Name	QTY	Order Number	iPS 4050				
	Mot. Fanf. Tray 4050	1	8707 900 00057	x				

Pos	Parts Name	QTY	Order Number	iPS 4050				
	Kit Flaps iPS		8707 900 00058	x				
	Flaps	12						

4.5 Pendulum 4050

4.6 Kit Casters 4050 / Kit Casters 2

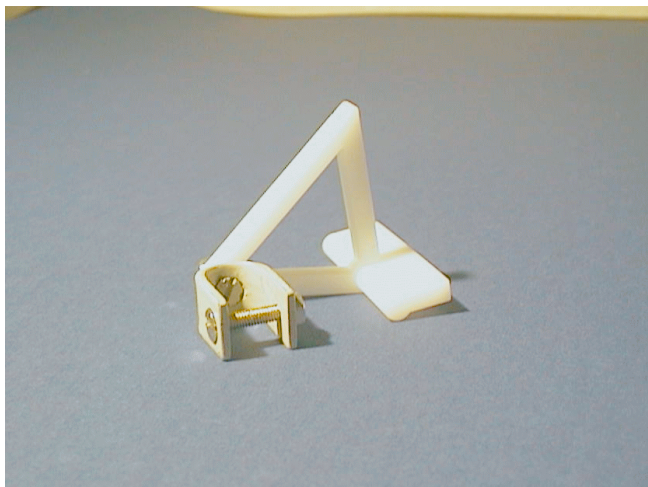


Pos	Parts Name	QTY	Order Number	iPS 4050				
	Pendulum 4050	1	8707 900 00059	x				

Pos	Parts Name	QTY	Order Number	iPS 4050	iPS4050/60			
	Kit Casters 4050		8707 900 00064	x				
	Casters	2						
	Kit Casters 2		8707 900 00135		x			
	Casters	4						

4.7 Repair Kit Flaps iPS 4050

4.8 Kit Paper Guides iPS 4050

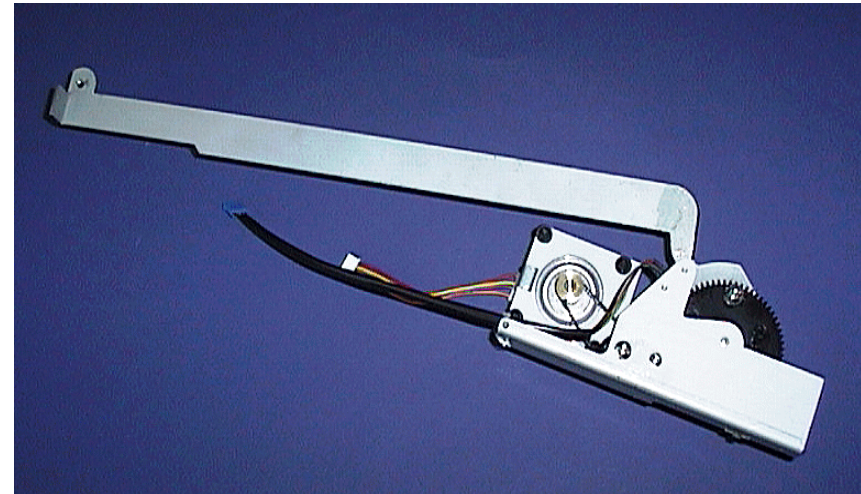
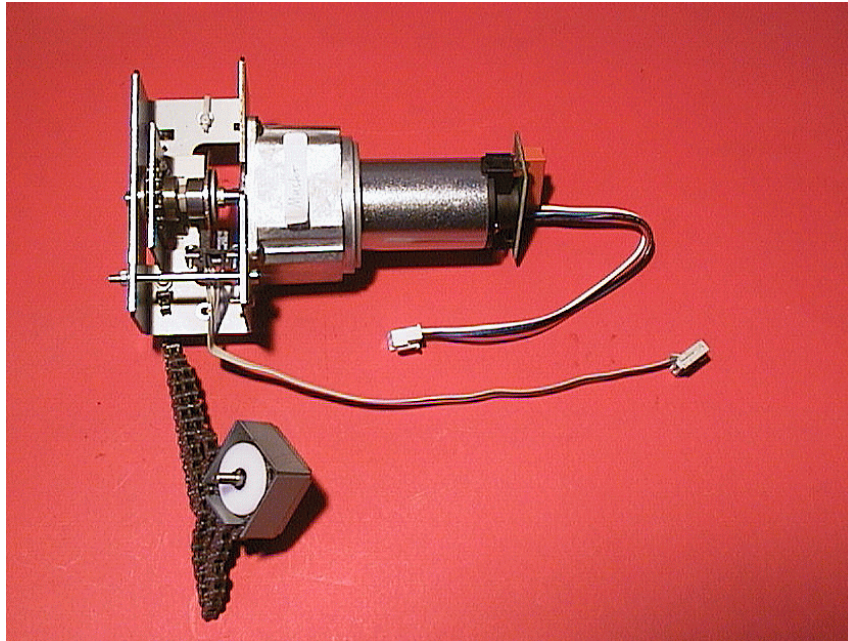


Pos	Parts Name	QTY	Order Number	iPS 4050				
	Repair Kit Flaps iPS 4050		8707 900 00071	x				
	Flaps	1						

Pos	Parts Name	QTY	Order Number	iPS 4050				
	Kit Paper Guides iPS 4050		8707 900 00072	x				
	Paper Guides	2						

4.9 Lift Motor Stacker 4050/4060

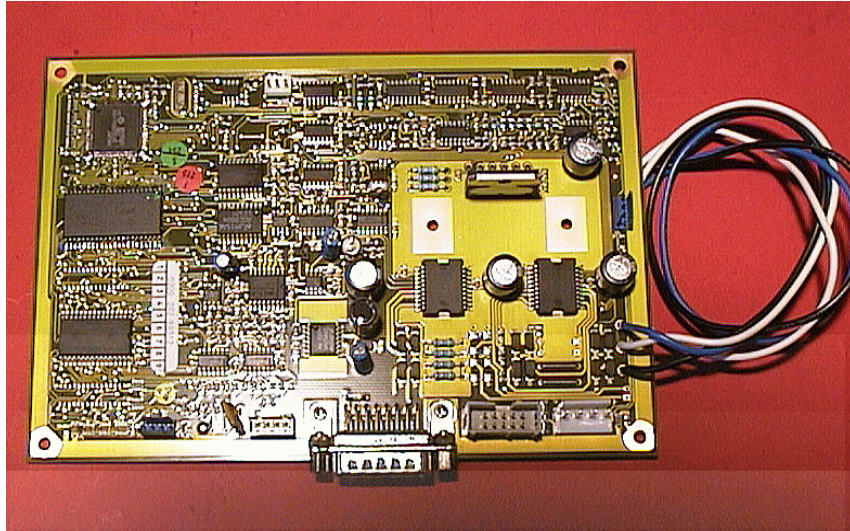
4.10 Pendulum Drive Stacker 4050/4060



P o s	Parts Name	Q T Y	Order Number	Order Number	
				IPS 4050	IPS 4050/4060
	Lift Motor Stacker 4050/4060	1	8707 900 00124	x	

P o s	Parts Name	Q T Y	Order Number	Order Number	
				IPS 4050	IPS 4050/4060
	Pendulum Drive Stacker 4050/4060	1	8707 900 00125	x	

4.11 PCB Stacker CRT 4050/4060



P o s	Parts Name	Q T Y		Order Number		IPS 4050/4060		
	PCB Stacker CRT 4050/4060	1		8707 900 00126	x			
	PCB Stacker CRT 4050/4060 R	1	RoHS	8707 900 00263	x			

4.12 Fan Stacker Electronics



P o s	Parts Name	Q T Y		Order Number		IPS 4050/4060		
	Fan Stacker Electronics	1		8707 900 00139	x			

4-13 Pendulum iPS4050/4060



P o s	Parts Name	Q T Y	Order Number	IPS 4050/4060		
	Pendulum iPS4050/4060	1	8707 900 00140	x		