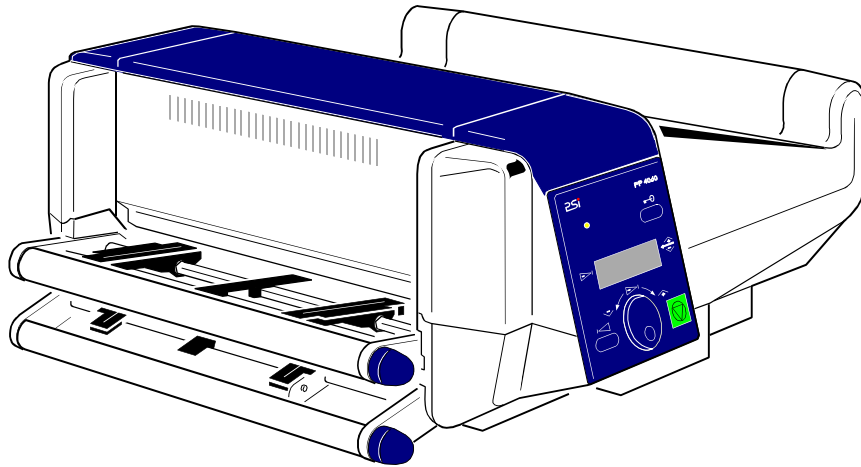


Service Information



Spare Parts Catalogue

5112 991 16875

A Publication of PSi Printer Systems international GmbH
Eiserfelder Straße 316

57080 Siegen · Germany

Pub. No. 5112 991 16875 März 2008

Order No. 8708 400 00013

Great care has been taken to ensure that the information in this handbook is accurate and complete. Should any errors or omissions be discovered, however, or should any user wish to make suggestions for improving this handbook, he is invited to send us the relevant details.

The contents of this manual are subject to change without notice.

Copyright © by **PSi Printer Systems international**.

All rights strictly reserved. Reproduction or issue to third parties in any form whatever is not permitted without written authorization from the publisher.

PP 4050 / 4060 Ersatzteilkatalog

Durch das europaweite Verbot der Verwendung von gefährlichen Stoffen (RoHS) wurden die Druckermodelle PP 4050XP und PP 4060 an diese Gesetzeslage angepasst, RoHS konforme Drucker gekennzeichnet durch eine Seriennummer S/N >xxx02000.

Das führt dazu, dass viele Ersatzteile ebenfalls angepasst wurden und nun in doppelter Ausführung im Katalog gelistet sind, bisherige Teile mit einer Bestellnummer < 8707 900 00200, neue, ROHS konforme Teile mit einer Bestellnummer > 8707 900 00200, wobei beide Ausführungen technisch völlig kompatibel sind.

Hinweis:

Aus Gründen der Materialverfügbarkeit kann es geschehen, dass zunehmend Ersatzteile mit einer Bestellnummer < 8707 900 00200 durch das entsprechend andere Teil mit der Bestellnummer 8707 900 002xx ersetzt werden.

PP4050 / 4060 Spare Parts Catalogue

Due to the regulation which prohibits the usage of certain hazardous substances throughout Europe (RoHS), the printer models PP 4050XP and PP 4060 were adapted accordingly, RoHS compliant printers characterized by a serial number S/N > xxx02000.

This causes that many spare parts were adapted as well and are now listed in the catalogue as double versions, previous parts with an order number < 8707 900 00200, new, RoHS compliant parts with a part number > 8707 900 00200 where both versions are technically fully compatible to each other.

Note:

Due to availability of material it may happen that increasingly spare parts with a P/N < 8707 900 00200 will be replaced by the corresponding part with P/N 8707 900 002xx.

Table of Contents

Table of Content	0-5	3.15	PCB Developer	3-15
Cross-Reference-List	5-10	3.16	PCB OP-Panel	3-16
List of Order Numbers	10-19	3.17	PCB CU 4050 / PCB CU 25 MHz 4050	3-17
1. Consumables	1-1	3.18	Power Supply 24V-1	3-18
1.1 Toner Kit	1-1	3.19	Power Supply 24V-2	3-19
1.2 Photo Conductor Cartridge	1-2	3.20	Power Supply 5V	3-20
1.3 Developer Kit	1-3	3.21	LED Head	3-21
1.4 Fuser Kit	1-4	3.22	Suction Unit 4050/4050MICR/4060	3-22
2. Printer Wearing Parts	2-1	3.23	Tractor Guide	3-23
2.1 Kit Gears & Pulleys 4050/4060	2-1	3.24	Power Switch	3-24
2.2 Kit Suction Belt	2-4	3.25	Relay Fuser	3-25
2.3 Kit Transport Rollers 4050/4060	2-5	3.26	Relay 24V	3-26
2.4 Kit Exit Rollers Top	2-6	3.27	SS-Relay Heat Lamp / SS-Relay Heat Lamp 2	3-27
2.5 Kit Brushes	2-7	3.28	Curcuit Breaker	3-28
2.6 Motor PC Drum	2-8	3.29	Clutch Toner Supply	3-29
2.7 Paper Rollers	2-9	3.30	Kit Screws & Washers	3-30
2.8 Fuser Drive 4060/4050	2-10	3.31	Kit Sensor 1	3-31
2.9 Pulley Fuser Drive 4050/Pulley Fuser Drive 4060	2-11	3.32	Kit Sensor 2	3-32
3. Printer Spare Parts	3-1	3.33	Kit Sensor 3	3-33
3.1 Kit Motor Fuser Retract	3-1	3.34	Kit Sensor 4	3-34
3.2 Motor Tractor Drive	3-2	3.35	Light Sensors	3-35
3.3 Kit Motor Fuser Drive 4050/4060	3-3	3.36	Kit Press. Exit Roller	3-36
3.4 Motor Buffer Arm	3-4	3.37	Kit Belts 2	3-37
3.5 Kit Motor Timing Roller	3-5	3.38	Kit Fuse & Thermistors	3-38
3.6 Solenoid Transfer	3-6	3.39	Kit Heat Lamps 230 V / 120 V / 100 V	3-39
3.7 Kit Solenoid Exit Guide	3-7	3.40	Kit Fuser Cleaner 2	3-40
3.8 Fan Suction	3-8	3.41	Kit Ozone Filter Lower	3-41
3.9 Fan Ozone	3-9	3.42	Cutter Unit	3-42
3.10 Fan Exhaust	3-10	3.43	Kit Clutches	3-43
3.11 PCB Engine CTR (old Version)	3-11	3.44	Kit Motor Developer 4050/4060	3-44
3.12 PCB Eraser	3-12	3.45	Kit Motor Cutter 4050/4060	3-45
3.13 PCB Fuser/Tractor 4050/4060	3-13	3.46	Transfer Charger	3-46
3.14 PCB PC Drum 4050/4060	3-14	3.47	PCB HV Main 4050/4050MICR/4060/4060MICR	3-47
		3.48	PCB HV Transfer	3-48
		3.49	NVRAM Engine CTR	3-49
		3.50	Sensor SSPJ	3-50
		3.51	Sensor SPJ	3-51
		3.52	Kit Fuses	3-52



3.53	Kit Rubber Feed	3-53
3.54	Kit Mounting Parts Front Cover	3-54
3.55	Kit Mounting Parts Rear Cover	3-55
3.56	Main Charger	3-56
3.57	Housing	3-57
-	Front Cover	3-57
-	Rear Cover	3-57
-	Right Cover	3-57
-	Front Upper Cover (black) 4050	3-57
-	Rear Upper Cover (black) 4050	3-57
-	Top Cover	3-57
-	Top Cover (black) 4050	3-57
-	Left Upper Cover	3-57
-	Left Lower Cover	3-57
-	Front Upper Cover (blue) 4060	3-57
-	Rear Upper Cover (blue) 4060	5-57
-	Top Cover (blue) 4060	5-57
3.58	Frame Waste Toner Bottle	3-58
3.59	Kit Waste Toner Bottle	3-59
3.60	Kit Tractor Cover	3-60
3.61	Kit Paper Exit Tilting Stop	3-61
3.62	Kit Gas Strut	3-62
3.63	Power Supply 24 Volt 4050 / 4060	3-63
3.64	Power Supply 5 Volt Converter	3-64
3.65	CU Pentium I / PII / P3	3-65
3.66	Sensor Exit Paper Stacker	3-66
3.67	PCB Engine CTR 4050 / 4060	3-67
3.68	Pulley Developer Drive 4060 / 4050	3-68
3.69	Pulley Paper Feed	3-69
3.70	Gear Developer Drive	3-70
3.71	Inner OP Cover	3-71
3.72	Kit Magnetic Catches	3-72
3.73	Harness Developer Connector	3-73
3.74	Harness Fuser Connector	3-74
3.75	Kit Bearing Fuser Retract	3-75
3.76	PCB Backpanel 4050/60	3-76
3.77	Ozone Filter Upper	3-77
3.78	Fan CU 4050/60 / PII	3-78

3.79	Clutch Cutter	3-79
3.80	PM Parallel PP4050 / PM Ethernet 10/100 MBit	3-80
3.81	Transfer Guide Assembly	3-81
3.82	Motor Driver Board PC Drum R	3-82
3.83	Stepping Motor PC Drum R	3-83
3.84	PCB Backplane 4050XP/4060 R	3-84
3.85	PCB CU LPC R	3-85

4.	iPS Spare Parts	4-1
4.1	PCB ASCO 4050	4-1
4.2	Motor Pendulum 4050	4-2
4.3	Motor Fanfold Tray 4050	4-3
4.4	Kit Flaps iPS	4-4
4.5	Pendulum 4050	4-5
4.6	Kit Casters 4050 / Kit Casters 2	4-6
4.7	Kit Flap Repair iPS 4050	4-7
4.8	Kit Paper Guides iPS 4050	4-8
4.9	Lift Motor Stacker 4050/60	4-9
4.10	Pendulum Drive Stacker 4050/4060	4-10
4.11	PCB Stacker CTR 4050/4060	4-11
4.12	Fan Stacker Electronics	4-12
4.13	Pendulum iPS 4050/4060	4-13

Cross Reference List in alphabetical order

Product Description	Order-No.	Order No. RoHS	see Page
Circuit Breaker	8707 900 00028		3-28
Clutch Toner Supply	8707 900 00029	8707 900 00218	3-29
Clutch Cutter	8707 900 00134		3-79
CU Pentium I 166 Mhz CU 4050/4060 P II	8707 900 00093 8707 900 00130		3-65 3-65
Cutter Unit	8707 900 00050	8707 900 00225	3-42
Fan CU 4050/4060 P II	8707 900 00138		3-78
Fan CU 4050XP/4060	8707 900 00132		3-78
Fan Suction	8707 900 00008	8707 900 00208	3-8
Fan Stacker Electronics	8707 900 00139		4-12
FAN Ozone	8707 900 00009	8707 900 00209	3-9
FAN Exhaust	8707 900 00010	8707 900 00210	3-10
Frame Waste Toner Bottle	8707 900 00086		3-58
Front Upper Cover (black) 4050	8707 900 00080		3-57
Front Cover	8707 900 00077	8707 900 00235	3-57
Front Upper Cover (blue)	8707 900 00104		3-57
Fuser Drive 4060	8707 900 00112	8707 900 00258	2-10
Fuser Drive 4050	8707 900 00113	8707 900 00257	2-10
Gear Developer Drive	8707 900 00117	8707 900 00249	3-70
Harnes Developer Connektor	8707 900 00120	8707 900 00250	3-73
Harnes Developer Connektor MICR / 4060	8707 900 00141	8707 900 00255	3-73
Harness Fuser Connector	8707 900 00121	8707 900 00251	3-74
Inner OP Cover	8707 900 00118		3-71
Kit Heat Lamps 120V	8707 900 00040		3-39
Kit Screws&Washers	8707 900 00030		3-30
Kit Transport Rollers	8707 900 00047		2-5

Product Description	Order-No.	Order No. RoHS	see Page
Kit Transport Rollers 4060	8707 900 00095		2-5
Kit Exit Rollers Top	8707 900 00048		2-6
Kit Brushes	8707 900 00049		2-7
Kit Clutches	8707 900 00051	8707 900 00226	3-43
Kit Fuse&Thermistor	8707 900 00038	8707 900 00224	3-38
Kit Belts 2	8707 900 00110		3-37
Kit Sensor 2	8707 900 00032		3-32
Kit Motor Cutter 4060	8707 900 00103	8707 900 00243	3-45
Kit Motor Cutter	8707 900 00053	8707 900 00228	3-45
Kit Press.Ex.Rollers	8707 900 00036		3-36
Kit Fuse Eng CTR	8707 900 00067		3-52
Kit Ozone Filter Lower	8707 900 00043		3-41
Kit Tractor Guide	8707 900 00023		3-23
Kit Fuser Cleaner 2	8707 900 00123	8707 900 00253	3-40
Kit Solen. Ex. Guide	8707 900 00007	8707 900 00207	3-7
Kit Rubber Feed	8707 900 00073		3-53
Kit Mounting Parts Front Cover	8707 900 00074	8707 900 00233	3-54
Kit Mounting Parts Rear Cover	8707 900 00075	8707 900 00234	3-55
Kit Sensor 3	8707 900 00033	8707 900 00221	3-33
Kit Suction Belt	8707 900 00046		2-4
Kit Tractor Cover 4050	8707 900 00088		3-60
Kit Flaps iPS	8707 900 00058		4-4
Kit Sensor 4	8707 900 00034	8707 900 000222	3-34
Kit Sensor 1	8707 900 00031	8707 900 00219	3-31
Kit Motor Timing Roller	8707 900 00005	8707 900 00205	3-5
Kit Motor Fuser Drive	8707 900 00003	8707 900 00203	3-3
Kit Motor Developer	8707 900 00052	8707 900 00227	3-44
Kit Motor Fuser Drive 4060	8707 900 00096	8707 900 00239	3-3



Product Description	Order-No.	Order No. RoHS	see Page
Kit Gas Strut 4050	8707 900 00090		3-62
Kit Paper Exit Tilting Stop	8707 900 00089		3-61
Kit Motor Fuser Retract	8707 900 00001	8707 900 00201	3-1
Kit Motor Developer 4060	8707 900 00102	8707 900 00242	3-44
Kit Magnetic Catches	8707 900 00119		3-72
Kit Heat Lamps 230V	8707 900 00039		3-39
Kit Heat Lamps 100V	8707 900 00041		3-39
Kit Bearing Fuser Retract	8707 900 00128		3-75
Kit Gears&Pulleys 2	8707 900 00094		2-1
Kit Fuse PCB PC Drum	8707 900 00068		3-52
Kit Casters 4050	8707 900 00064		4-6
Kit Casters 2	8707 900 00135		4-6
Kit Paper Guide iPS 4050	8707 900 00072		4-8
LED Head	8707 900 00021	8707 900 00269	3-21
Left Upper Cover 4050	8707 900 00084		3-57
Left Lower Cover 4050	8707 900 00085		3-57
Lift Motor Stacker 4050/60	8707 900 00124		4-9
Light Sensors	8707 900 00035	8707 900 00223	3-35
Main Charger	8707 900 00076		3-56
Mot. Fan. Tray 4050	8707 900 00057		4-3
Motor Pendulum 4050	8707 900 00056		4-2
Motor Buffer Arm	8707 900 00004	8707 900 00204	3-4
Motor Driver Board PC Drum		8707 900 00213	3-82
Motor PC Drum	8707 900 00054		2-8
Motor Tractor Drive	8707 900 00002	8707 900 00202	3-2
NVRAM Eng CTR	8707 900 00063		3-49
Ozone Filter Upper	8707 900 00131		3-77
Paper Roller	8707 900 00111		2-9
PCB HV Main	8707 900 00061	8707 900 00229	3-47
PCB CU 4050	8707 900 00017		3-17

Product Description	Order-No.	Order No. RoHS	see Page
PCB HV Transfer	8707 900 00062	8707 900 00230	3-48
PCB CU 25 MHz 4050	8707 900 00070		3-17
PCB OP-Panel	8707 900 00016	8707 900 00215	3-16
PCB CU LPC		8707 900 00265	3-85
PCB Engine CTR	8707 900 00011		3-11
PCB Developer	8707 900 00015	8707 900 00214	3-15
PCB HV Main 4060	8707 900 00101	8707 900 00241	3-47
PCB Fuser/Tractor 4060	8707 900 00097	8707 900 00212	3-13
PCB Engine CTR 4050/60	8707 900 00107	8707 900 00244	3-67
PCB Stacker CTR 4050/4060	8707 900 00126	8707 900 00263	4-11
PCB Backpanel 4050XP/ 4060	8707 900 00129	8707 900 00271	3-76
PCB HV Main PLE4050 KIC	8707 900 00127		3-47
PCB HV Main 4060 MICR	8707 900 00122	8707 900 00252	3-47
PCB Fuser/Tractor	8707 900 00013	8707 900 00212	3-13
PCB PC Drum 4060	8707 900 00098		3-14
PCB HV Main 4050 MICR	8707 900 00108	8707 900 00245	3-47
PCB Eraser	8707 900 00012	8707 900 00211	3-12
PCB PC Drum	8707 900 00014		3-14
PCB Backplane 4050XP/ 4060		8707 900 00264	3-84
PCB ASCO 4050	8707 900 00055		4-1
Pendulum iPS 4050/4060	8707 900 00140		4-13
Pendulum 4050	8707 900 00059		4-5
Pendulum Drive Stacker 4050/4060	8707 900 00125		4-10
PM Ethernet 10/100 MBit	8707 400 90103		3-80
PM Parallel PP4050	8797 400 90101		3-80
Power Supply 24V-1	8707 900 00018		3-18

Product Description	Order-No.	Order No. RoHS	see Page
Power Supply 24V-2	8707 900 00019		3-19
Power Switch	8707 900 00024	8707 900 00216	3-24
Power Supply 24 V 4050/60	8707 900 00091	8707 900 00237	3-63
Power Supply 5 V Convert.	8707 900 00092	8707 900 00238	3-64
Power Supply 5V	8707 900 00020		3-20
Pulley Paper Feed	8707 900 00116	8707 900 00248	3-69
Pulley Develop. Drive 4050	8707 900 00115	8707 900 00247	3-68
Pulley Develop. Drive 4060	8707 900 00114	8707 900 00246	3-68
PulleyFuser Drive 4050	8707 900 00136	8707 900 00259	3-81
Pulley Fuser Drive 4060	8707 900 00137	8707 900 00260	3-81
Rear Cover	8707 900 00078	8707 900 00236	3-57
Rear Upper Cover (blue)	8707 900 00105		3-57
Rear Upper Cover (black)	8707 900 00081		3-57
Relay Fuser	8707 900 00025		3-25
Relay 24 V	8707 900 00026	8707 900 00217	3-26
Repair Kit Flaps iPS4050	8707 900 00071		4-4
Right Cover 4050	8707 900 00079		3-57
Sensor SPJ	8707 900 00066	8707 900 00232	3-51
Sensor SSPJ	8707 900 00065	8707 900 00231	3-50
Sensor Exit Paper Stacker	8707 900 00099	8707 900 00261	3-66
Solenoid Transfer	8707 900 00006	8707 900 00206	3-6
SS-Relay Heat Lamp	8707 900 00027		3-27
SS-Relay Heat Lamp 2	8707 900 00133	8707 900 00254	3-27
Stepping Motor PC Drum		8707 900 00240	3-83
Suction Unit 4060	8707 900 00100	8707 900 00267	3-22
Suction Unit 4050 MICR	8707 900 00109		3-22
Suction Unit	8707 900 00022	8707 900 00266	3-22
Top Cover (blue)	8707 900 00106		3-57
Top Cover (black) 4050	8707 900 00083		3-57
Top Cover 4050	8707 900 00082		3-57

Product Description	Order-No.	Order No. RoHS	see Page
Transfer Guide Assembly	8707 900 00142	8707 900 00268	3-8
Transfer Charger	8707 900 00060		3-46

List of Order Numbers

Wearing Parts							
Product Description	Order Number					Rec. Stock per 10	Rec. Stock per 100
		4050	4050MICR	4050XP	4060		
Kit Suction Belt	8707 900 00046	x	x	x	x	1	3
Kit Transport Rollers	8707 900 00047	x	x	x		1	3
Kit Exit Rollers Top	8707 900 00048	x	x	x		1	3
Kit Brushes	8707 900 00049	x	x	x	x	1	3
Motor PC Drum	8707 900 00054	x	x	x	x	1	2
Kit Gears&Pulleys 2	8707 900 00094	x	x	x	x	1	3
Kit Transport Rollers 4060	8707 900 00095				x	1	3
Paper Rollers	8707 900 00111	x	x	x	x	1	3
Fuser Drive 4060	8707 900 00112				x	1	2
Fuser Drive 4060 R	8707 900 00258				x	1	2
Fuser Drive 4050	8707 900 00113	x	x	x		1	2
Fuser Drive 4050 R	8707 900 00257	x	x	x		1	2

Spare Parts							
Product Description	Order Number					Rec. Stock per 10	Rec. Stock per 100
		4050	4050MICR	4050XP	4060		
Kit Motor Fuser Retract	8707 900 00001	x	x	x	x	0	1
Kit Motor Fuser Retract R	8707 900 00201	x	x	x	x	0	1
Motor Tractor Drive	8707 900 00002	x	x	x	x	0	1
Motor Tractor Drive R	8707 900 00202	x	x	x	x	0	1
Kit Mot. Fuser Drive	8707 900 00003	x	x	x		0	1
Kit Mot. Fuser Drive R	8707 900 00203	x	x	x		0	1



List of Order Numbers

List of Order Numbers

Spare Parts							
Product Description	Order Number	4050	4050MICR	4050XP	4060	Rec. Stock per 10	Rec. Stock per 100
Kit Mot. Fuser Drive	8707 900 00096				x	0	1
Kit Mot. Fuser Drive R	8707 900 00239				x	0	1
Motor Buffer Arm	8707 900 00004	x	x	x	x	0	1
Motor Buffer Arm R	8707 900 00204	x	x	x	x	0	1
Kit Mot. Timing Rol.	8707 900 00005	x	x	x		0	1
Kit Mot. Timing Rol. R	8707 900 00205	x	x	x		0	1
Solenoid Transfer	8707 900 00006	x	x	x	x	0	1
Solenoid Transfer R	8707 900 00206	x	x	x	x	0	1
Kit Solen. Ex. Guide	8707 900 00007	x	x	x		0	1
Kit Solen. Ex. Guide R	8707 900 00207	x	x	x		0	1
Fan Suction	8707 900 00008	x	x	x	x	0	1
Fan Suction R	8707 900 00208	x	x	x	x	0	1
FAN Ozone	8707 900 00009	x	x	x	x	0	1
Fan Ozone R	8707 900 00209	x	x	x	x	0	1
FAN Exhaust	8707 900 00010	x	x	x	x	0	1
FAN Exhaust R	8707 900 00210	x	x	x	x	0	1
PCB Engine CTR	8707 900 00011	x				1	2
PCB Eraser	8707 900 00012	x	x	x	x	0	1
PCB Eraser R	8707 900 00211	x	x	x	x	0	1
PCB Fuser/Tractor	8707 900 00013	x	x	x		0	1
PCB Fuser/Tractor R	8707 900 00212	x	x	x	x	0	1
PCB PC Drum	8707 900 00014	x	x	x		0	1
PCB PC Drum 4060	8707 900 00098				x	0	1
PCB Developer	8707 900 00015	x	x	x	x	0	1
PCB Developer R	8707 900 00214	x	x	x	x	0	1

Spare Parts							
Product Description	Order Number	4050	4050MICR	4050XP	4060	Rec. Stock per 10	Rec. Stock per 100
PCB OP-Panel	8707 900 00016	x	x	x	x	0	1
PCB OP-Panel R	8707 900 00215	x	x	x	x	0	1
PCB CU 4050	8707 900 00070	x	x			0	1
Power Supply 24V-1	8707 900 00018	x				1	2
Power Supply 24V-2	8707 900 00019	x				1	2
Power Supply 5V	8707 900 00020	x				1	2
LED Head	8707 900 00021	x	x	x	x	0	1
LED Head R	8707 900 00269	x	x	x	x	0	1
LED Head 600dpi	8707 900 00273					0	1
Suction Unit	8707 900 00022	x		x		0	2
Suction Unit R	8707 900 00266	x		x		0	1
Kit Tractor Guide	8707 900 00023	x	x	x	x	0	2
Power Switch	8707 900 00024	x	x	x	x	0	1
Relay Fuser	8707 900 00025	x	x	x	x	1	2
Relay 24V	8707 900 00026	x	x	x	x	1	2
Relay 24V R	8707 900 00217	x	x	x	x	1	2
SS-Relay Heat Lamp	8707 900 00027	x	x	x	x	1	2
Circuit Braker	8707 900 00028	x	x	x	x	1	2
Clutch Toner Supply	8707 900 00029	x	x	x	x	1	2
Clutch Toner Supply R	8707 900 00218	x	x	x	x	1	2
Kit Screws&Washers	8707 900 00030	x	x	x	x	1	5
Kit Sensor 1	8707 900 00031	x	x	x	x	1	2
Kit Sensor 1 R	8707 900 00219	x	x	x	x	1	2
Kit Sensor 2	8707 900 00032	x	x	x	x	1	2

Spare Parts							
Product Description	Order Number	4050	4050MICR	4050XP	4060	Rec. Stock per 10	Rec. Stock per 100
Kit Sensor 3	8707 900 00033	x	x	x	x	1	2
Kit Sensor 3 R	8707 900 00221	x	x	x	x	1	2
Kit Sensor 4	8707 900 00034	x	x	x	x	1	2
Kit Sensor 4 R	8707 900 00222	x	x	x	x	1	2
Light Sensors	8707 900 00035	x	x	x	x	1	2
Light Sensors R	8797 900 00223	x	x	x	x	1	2
Kit Press.Ex.Rollers	8707 900 00036	x	x	x		1	2
Kit Fuse&Thermistor	8707 900 00038	x	x	x	x	1	2
Kit Fuse&Thermistor R	8707 900 00224	x	x	x	x	1	2
Kit Heat Lamps	230 V	8707 900 00039	x	x	x	0	2
	120 V	8707 900 00040	x	x	x		
	100 V	8707 900 00041	x	x	x		
Kit Fuser Cleaner	8707 900 00042	x		x	x	0	3
Kit Fuser Cleaner R	8707 900 00253	x	x	x	x	0	3
Kit Ozone Filter Lower	8707 900 00043	x	x	x	x	0	3
Cutter Unit	8707 900 00050	x	x	x	x	0	1
Cutter Unit R	8707 900 00225	x	x	x	x	0	1
Kit Clutches	8707 900 00051	x	x	x	x	1	2
Kit Clutches R	8707 900 00226	x	x	x	x	1	2
Kit Motor Developer	8707 900 00052	x	x	x		0	1
Kit Motor Developer R	8707 900 00227	x	x	x			
Kit Motor Cutter	8707 900 00053	x	x	x		0	1
Kit Motor Cutter R	8707 900 00228	x	x	x		0	1

Spare Parts							
Product Description	Order Number	4050	4050MICR	4050XP	4060	Rec. Stock per 10	Rec. Stock per 100
PCB HV Main	8707 900 00061	x		x		0	1
PCB HV Main R	8707 900 00229	x		x		0	1
PCB HV Transfer	8707 900 00062	x	x	x	x	0	1
PCB HV Transfer R	8707 900 00230	x	x	x	x	0	1
NVRAM Eng CTR	8707 900 00063	x				1	1
SSPJ Sensor	8707 900 00065	x	x	x	x	1	2
SSPJ Sensor R	8707 900 00231	x	x	x	x	1	2
SPJ Sensor	8707 900 00066	x	x	x	x	1	2
SPJ Sensor R	8707 900 00232	x	x	x	x	1	2
Kit Fuses Eng CTR	8707 900 00067	x				1	1
Kit Fuses OPC Motor	8707 900 00068	x	x	x	x	1	1
PCB CU 25 MHz 4050	8707 900 00070	x	x			0	1
Kit Rubber Feet 4050	8707 900 00073	x	x	x	x	1	1
Kit Mounting Parts Front Cover	8707 900 00074	x	x	x	x	0	2
Kit Mounting Parts Front Cover R	8707 900 00233	x	x	x	x		
Kit Monting Parts Rear Cover	8707 900 00234	x	x	x	x	0	2
Kit Mounting Parts Rear Cover R							
Main Charger 4050	8707 900 00076	x	x	x	x	1	3
Front Cover	8707 900 00077	x	x	x	x	0	1
Front Cover R	8707 900 00235	x	x	x	x	0	1
Rear Cover	8707 900 00078	x	x	x	x	0	1
Rear Cover R	8707 900 00236	x	x	x	x	0	1



List of Order Numbers

List of Order Numbers

Spare Parts							
Product Description	Order Number	4050	4050MICR	4050XP	4060	Rec. Stock per 10	Rec. Stock per 100
Right Cover 4050	8707 900 00079	x	x	x	x	0	1
Front Upper Cover (black) 4050	8707 900 00080	x	x	x		0	0
Rear Upper Cover (black) 4050	8707 900 00081	x	x	x		0	0
Top Cover 4050	8707 900 00082	x	x	x	x	0	1
Top Cover (black) 4050	8707 900 00083	x	x	x		0	0
Left Upper Cover 4050	8707 900 00084	x	x	x	x	0	1
Left Lower Cover 4050	8707 900 00085	x	x	x	x	0	0
Frame Waste Toner Bottle 4050	8707 900 00086	x	x	x	x	0	1
Kit Waste Toner Bottle 4050	8707 900 00087	x	x	x	x	1	1
Kit Tractor Cover 4050	8707 900 00088	x	x	x	x	1	3
Kit Paper Exit Tilting Stop	8707 900 00089	x	x	x	x	1	3
Kit Gas Strut 4050	9707 900 00090	x	x	x	x	0	1
Power Supply 24V 4050/60	8707 900 00091		x	x	x	1	2
Power Supply 24 V 4050/60 R	8707 900 00237		x	x	x	1	2
Power Supply 5 V Conv.	8707 900 00092		x	x	x	1	2
Power Supply 5 V Conv. R	8707 900 00238		x	x	x	1	2
CU Pentium I 166 MHz	8707 900 00093			x	x	0	1
Kit Motor Fuser Drive 4060	8707 900 00096				x	0	1
PCB Fuser/Tractor 4060	8707 900 00097				x	0	1
PCB PC Drum 4060	8707 900 00098				x	0	1
Sensor Exit Paper Stacker	8707 900 00099	x	x	x	x	0	1
Sensor Exit Paper Stacker R	8707 900 00261	x	x	x	x	0	1

Spare Parts							
Product Description	Order Number	4050	4050MICR	4050XP	4060	Rec. Stock per 10	Rec. Stock per 100
Suction Unit 4060	8707 900 00100				x	0	2
Suction Unit 4060 R	8707 900 00267				x	0	2
PCB HV Main 4060	8707 900 00101				x	0	1
PCB HV Main 4060 R	8707 900 00241				x	0	1
Kit Motor Developer 4060	8707 900 00102				x	0	1
Kit Motor Developer 4060 R	8707 900 00242				x	0	1
Kit Motor Cutter 4060	8707 900 00103				x	0	1
Kit Motor Cutter 4060 R	8707 900 00243				x	0	1
Front Upper Cover (blue)	8707 900 00104				x	0	0
Rear Upper Cover (blue)	8707 900 00105				x	0	0
Top Cover (blue)	8707 900 00106				x	0	0
PCB Engine CTR 4050/4060	8707 900 00107		x	x	x	1	2
PCB Engine CTR 4050/4060 R	8707 900 00244		x	x	x		
PCB HV Main 4050 MICR	8707 900 00108		x			0	1
PCB HV Main 4050 MICR R	8707 900 00245		x			0	1
Suction Unit 4050 MICR	8707 900 00109		x			0	2
Kit Belts 2	8707 900 00110	x	x	x	x	0	2
Pulley Dev. Drive 4060	8707 900 00114				x	0	2
Pulley Dev. Drive 4060 R	8707 900 00246						
Pulley Dev. Drive 4050	8707 900 00115	x	x	x		0	2
Pulley Dev. Drive 4050 R	8707 900 00247	x	x	x		0	2
Pulley Paper Feed	8707 900 00116	x	x	x	x	0	2
Pulley Paper Feed R	8707 900 00248	x	x	x	x	0	2
Gear Developer Drive	8707 900 00117	x	x	x	x	0	2



List of Order Numbers

List of Order Numbers

Spare Parts							
Product Description	Order Number	4050	4050MICR	4050XP	4060	Rec. Stock per 10	Rec. Stock per 100
Gear Developer Drive R	8707 900 00249	x	x	x	x	0	2
Inner OP Cover	8707 900 00118	x	x	x	x	0	1
Kit Magnetic Catches	8707 900 00119	x	x	x	x	0	1
Harness Dev. Connector	8707 900 00120	x		x		0	1
Harness Dev. Connector R	8707 900 00250	x		x		0	1
Harness Dev. Connector MICR / 4060	8707 900 00141		x		x	0	1
Harness Dev. Connector MICR / 4060 R	8707 900 00255		x		x	0	1
Harness Fuser Connector	8707 900 00121	x	x	x	x	0	1
Harness Fuser Connector R	8707 900 00251	x	x	x	x	0	1
PCB HV Main 4060 MICR	8707 900 00122		x			0	1
PCB HV Main 4060 MICR R	8707 900 00252				x	0	1
PM Parallel PP4050	8707 400 90101	x	x			0	1
PM Ethernet 10/100 MBit	8707 400 90103	x	x			0	1
PCB HV Main PLE4050 KIC	8707 900 00127	x				0	1
Kit Bearing Fuser Retract	8707 900 00128	x	x	x	x	0	1
PCB Backpanel 4050XP/4060	8707 900 00129			x	x	0	1
PCB Packpanel 4050XP/4060 R	8707 900 00271			x	x	0	1
CU 4050/4060 PII	8707 900 00130			x	x	0	1
CU 4050/4060 PII 3 R	8707 900 00270			x	x	0	1
CU 4050/4060 PII 6 R	8707 900 00272			x	x	0	1
Ozone Filter Upper	8707 900 00131	x	x	x	x	0	1
Fan CU 4050XP/4060	8707 900 00132			x	x	0	1

Spare Parts							
Product Description	Order Number	4050	4050MICR	4050XP	4060	Rec. Stock per 10	Rec. Stock per 100
Fan CU 4050/4060 PII	8707 900 00138			x	x	0	1
SS-Relay Heat Lamp 2	8707 900 00133	x	x	x	x	0	1
SS-Relay Heat Lamp2 R	8707 900 00254	x	x	x	x	0	1
Clutch Cutter	8707 900 00134	x	x	x	x	0	1
Pulley Fuser Drive 4050	8707 900 00136	x	x	x		0	1
Pulley Fuser Drive 4060	8707 900 00137				x	0	1
Transfer Guide Assembly	8707 900 00142	x	x	x	x	0	1
Transfer Guide Assembly R	8707 900 00268	x	x	x	x	0	1
Mot. Driv. Board PC Drum R	8707 900 00213			x	x	0	1
Stepping Motor PC Drum R	8707 900 00240			x	x	0	1
PCB Backplane 4050XP/4060 R	8707 900 00264			x	x	0	1
PCB CU LPC R	8707 900 00265			x	x	0	1

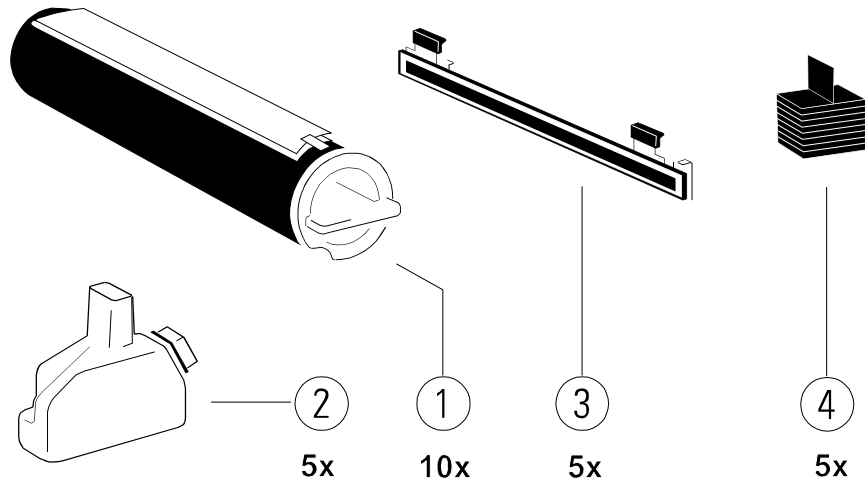
Spare Parts - Stacker iPS4050				Order No. 8707 400 90501
Product Description	Order Number	Rec. Stock per 10	Rec. Stock per 100	
PCB ASCO 4050	8707 900 00055	0	1	
Motor Pendulum 4050	8707 900 00056	0	1	
Mot. Fan. Tray 4050	8707 900 00057	1	3	
Kit Flaps iPS	8707 900 00058	0	1	

Spare Parts - Stacker iPS4050		Order No. 8707 400 90501	
Pendulum 4050	8707 900 00059	0	1
Kit Casters 4050	8707 900 00064	0	2
Kit Repair Flap iPS	8707 900 00071	0	0
Kit Paper Guides iPS 4050	8707 900 00072	0	0

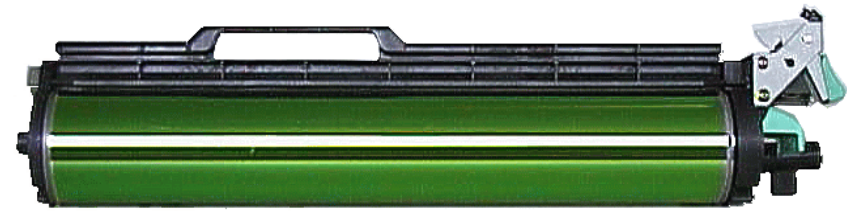
Spare Parts - Stacker iPS4050/60		Order No. 8707 410 90501	
Product Description	Order Number	Rec. Stock per 10	Rec. Stock per 100
Lift Motor Stacker 4050/60	8707 900 00124	0	3
Pendulum Drive Stacker 4050/4060	8707 900 00125	0	1
PCB Stacker CTR 4050/4060	8707 900 00126	0	1
PCB Stacker CTR 4050/4060 R	8707 900 00263	0	1
Kit Casters 2	8707 900 00135	0	1
Fan Stacker Electronics	8707 900 00139	0	1
Pendulum iPS 4050/4060	8707 900 00140	0	1
Kit Paper Guides iPS 4050	8707 900 00072	0	0

1 Consumables

1.1 Toner Kit



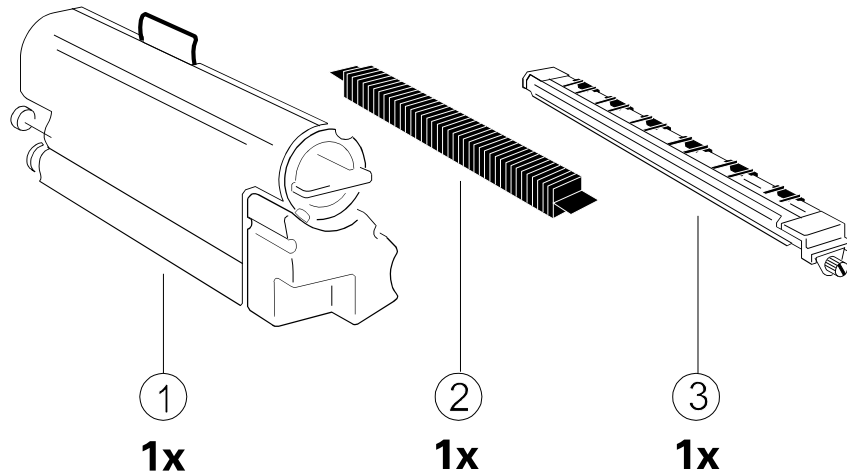
1.2 Photo Conductor Cartridge



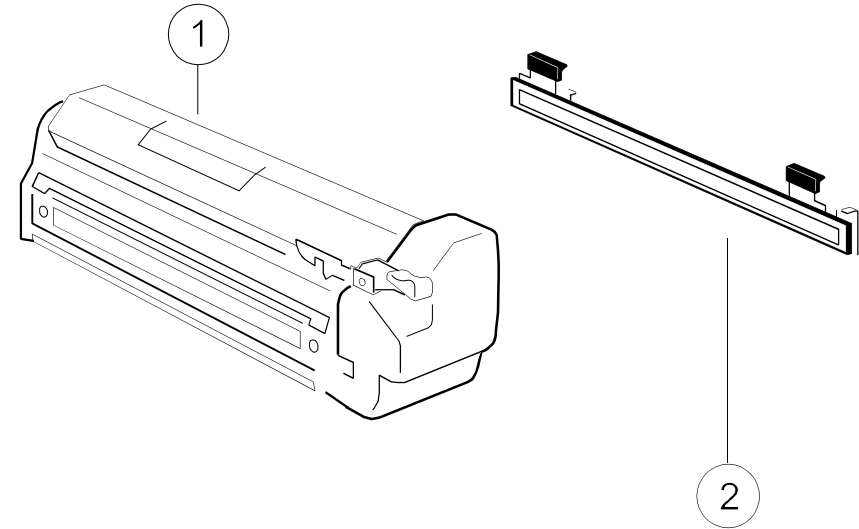
Pos	Parts Name	QTY	Order Number	4050	40X0 MICR	4050 XP	4060
	Toner Kit		8709 002 45701	x		x	x
	Toner Kit MICR		8709 002 45811		x		
1	Toner Cartridge	10					
2	Waste Toner Bottle	5					
3	Cleaner Felt	5					
4	Ozone Filter	5					

Pos	Parts Name	QTY	Order Number	4050	40X0 MICR	4050 XP	4060
	PC Cartridge	1	8709 002 45101	x	x	x	x

1.3 Developer Kit



1.4 Fuser Kit



Pos	Parts Name	QTY	Order Number				
				4050	40X0 MICR	4050 XP	4060
	Developer Kit 4050		8709 002 45201	x		x	
	Developer Kit MICR		8709 002 45911		x		
	Developer Kit 4060		8709 002 46201				x
1	Developer Unit	1					
2	Ozone Filter	1					
3	Transfer Charger	1					

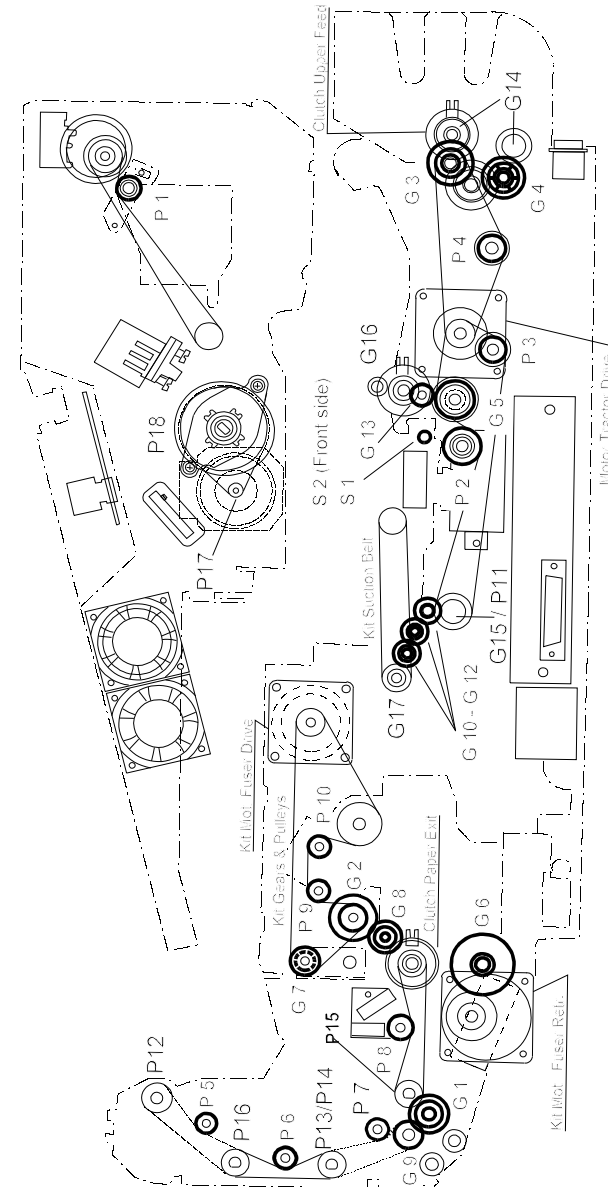
Pos	Parts Name	QTY	Order Number				
				4050	40X0 MICR	4050 XP	4060
	Fuser Kit 4050	230 Volt	8709 002 45401	x	x	x	
		120 Volt	8709 002 45501	x	x	x	
		100 Volt	8709 002 45601	x			
	Fuser Kit 4060	230 Volt	8709 002 46401				x
		120 Volt	8709 002 46501				x
1	Fuser Unit	1					
2	Cleaner Felt	1					

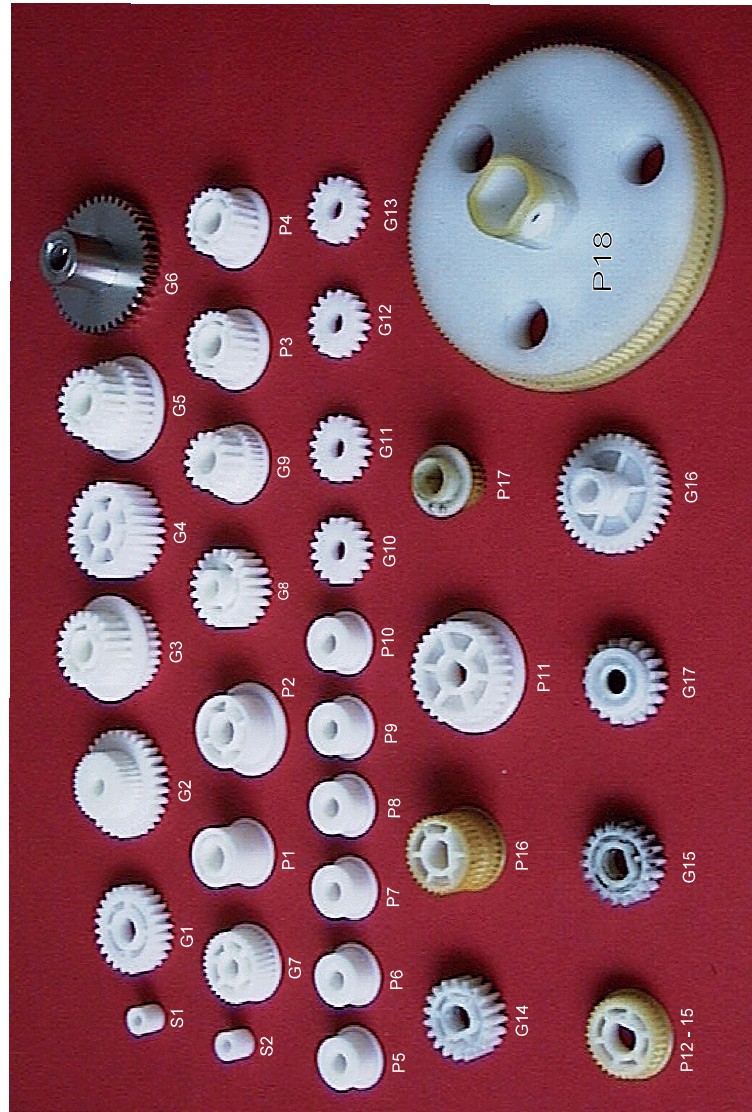
2 Wearing Parts
2.1 Kit Gears & Pulleys 2

Pos	Parts Name	QTY	Order Number				
				4050	4050 MICR	4050 XP	4060
	Kit Gears & Pulleys 2		8707 900 00094				
G 1	Gear	1		x	x	x	
G 2	Gear Pulley	1		x	x	x	x
G 3	Pulley Gear	1		x	x	x	x
G 4	Gear	1		x	x	x	x
G 5	Pulley Gear	1		x	x	x	x
G 6	Gear	1		x	x	x	x
G 7	Pulley Timing	1		x	x	x	x
G 8	Gear Idle	1		x	x	x	x
G 9	Pulley Gear	1		x	x	x	
G 10 - G 12	Gear	3		x	x	x	x
G 13	Gear	1		x	x	x	x
P 1	Pulley	1		x	x	x	x
P 2	Pulley	1		x	x	x	x
P 3, P 4	Pulley Timing	2		x	x	x	x
P 5 - P 7	Pulley Idle	3		x	x	x	
P 8 - P 10	Pulley Idle	3		x	x	x	x
S 1, S 2	Sleeve	2		x	x	x	x
G14	Gear Paper Feed	4		x	x	x	x
G15	Gear Paper Feed	1		x	x	x	x
G16	Gear Timing Roller	1		x	x	x	x
G17	One Way Gear	1		x	x	x	x
P11	Pulley Timing Paper Feed	1		x	x	x	x
P12 - 15	Pulley Exit Drive	4		x	x	x	
P16	Pulley Exit drive	1		x	x	x	
P17	Pulley Timing EP Drive	1		x	x	x	x
P18	Pulley Timing EP Drive	1		x	x	x	x

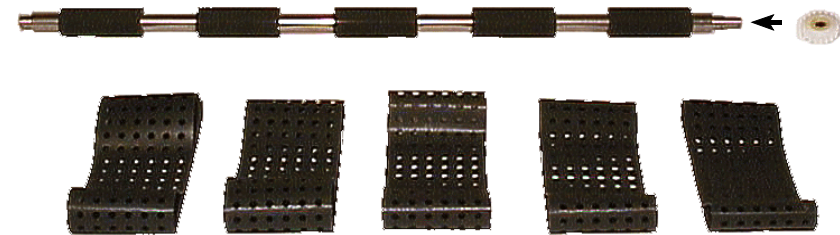
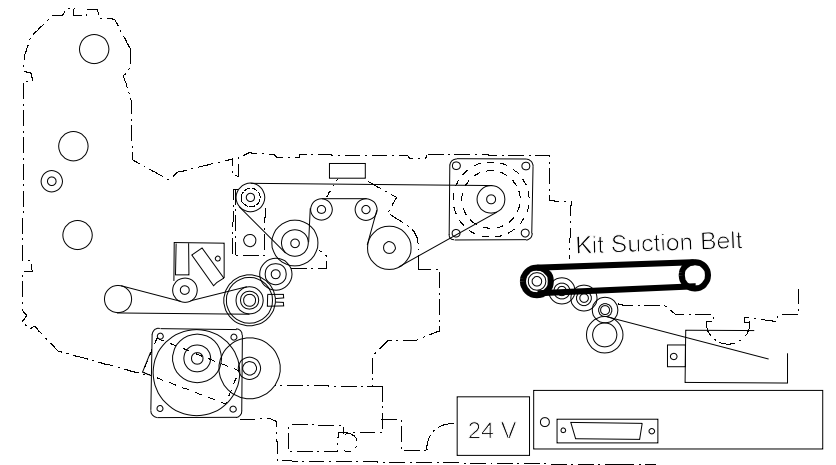
Note: Recommended to replace every 1 Mio. Pages

Printer rear side view





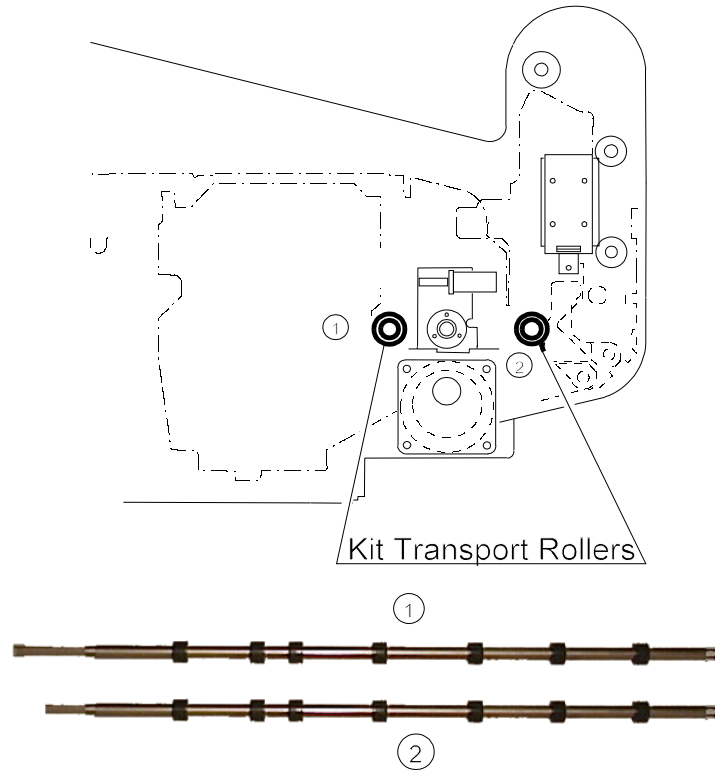
2.2 Kit Suction Belt



Note: Recommended to replace every 1 Mio. Pages

Pos	Parts Name	QTY	Order Number	4050	4050 MICR	4050 XP	4060
	Kit Suction Belt		8707 900 00046	x	x	x	x
	Roller Suction	1					
	One Way Gear	1					
	Suction Belt	5					

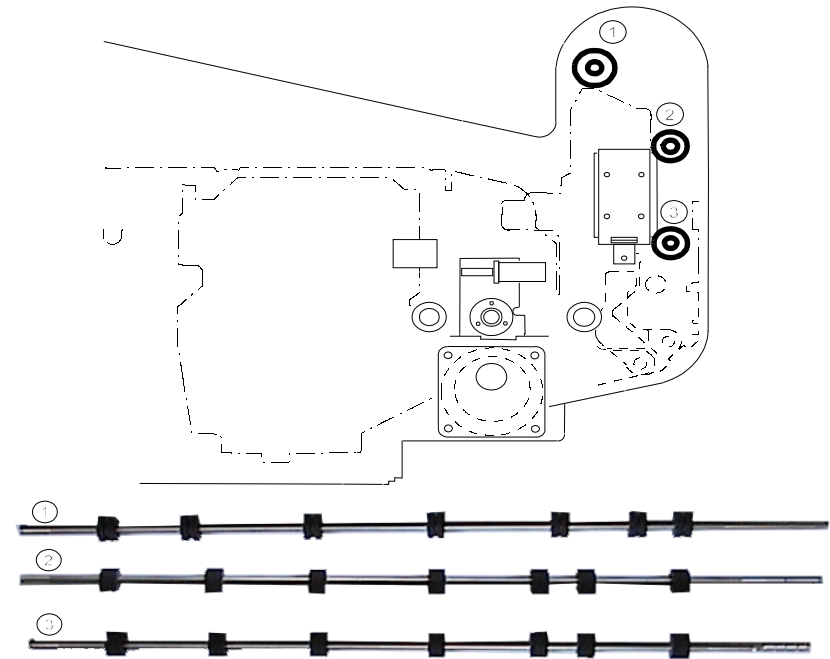
2.3 Kit Transport Rollers



Note: Recommended to replace every 1 Mio. Pages

Pos	Parts Name	QTY	Order Number	4050	4050 MICR	4050 XP	4060
	Kit Transport Rollers		8707 900 00047	x	x	x	
	Kit Transport Rollers 4060		8707 900 00095				x
1	Roller (A)	1					
2	Roller (B)	1					

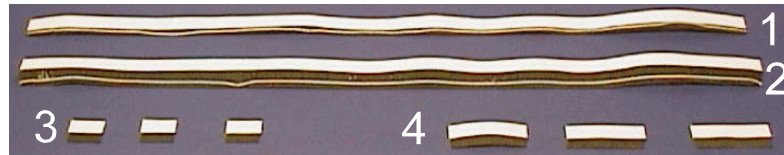
2.4 Kit Exit Rollers Top



Note: Recommended to replace every 1 Mio. Pages

Pos	Parts Name	QTY	Order Number	4050	4050 MICR	4050 XP	4060
	Kit Exit Rollers Top		8707 900 00048	x	x	x	
1	Paper Roller Exit 1	1					
2	Paper Roller Exit 2	1					
3	Paper Roller Exit 3	1					

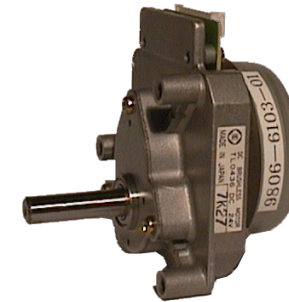
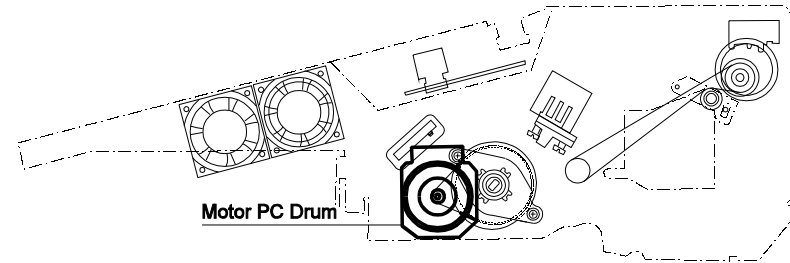
2.5 Brushes



Note: For PP 4060 Brush 2 is in use only!
Recommended to replace every 1 Mio. Pages

Pos	Parts Name	QTY	Order Number				
				4050	4050 MICR	4050 XP	4060
	Kit Brushes		8707 900 00049				
1	Brush 1	1		x	x	x	
2	Brush 2	1		x	x	x	x
3	Brush 3	3		x	x	x	
4	Brush 4	3		x	x	x	

2.6 Motor PC Drum

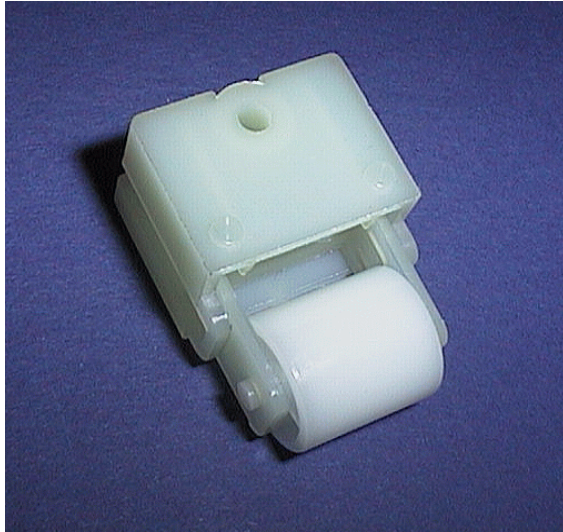


Note: Recommended to replace every 3 Mio. Pages

Pos	Parts Name	QTY	Order Number				
				4050	4050 MICR	4050 XP	4060
	Motor PC Drum	1	8707 900 00054	x	x	x	x

2.7 Paper Roller

2.8 Fuser Drive 4050/4060



Note: Recommended to replace every 1 Mio. Pages

P O S	Parts Name	Q T Y	Order Number				
				4050	4050 MICR	4050 XP	4060
	Paper Roller	13	8707 900 00111	x	x	x	x

Note: Recommended to replace every 3 Mio. Pages

P O S	Parts Name	Q T Y	Order Number				
				4050	4050 MICR	4050 XP	4060
	Fuser Drive 4050	1	8707 900 00113	x	x	x	
	Fuser Drive 4050 R	1	RoHS 8707 900 00257	x	x	x	
	Fuser Drive 4060		8707 900 00112				x
	Fuser Drive 4060 R		RoHS 8707 900 00258				x

2.9 Pulley Fuser Drive 4050/60

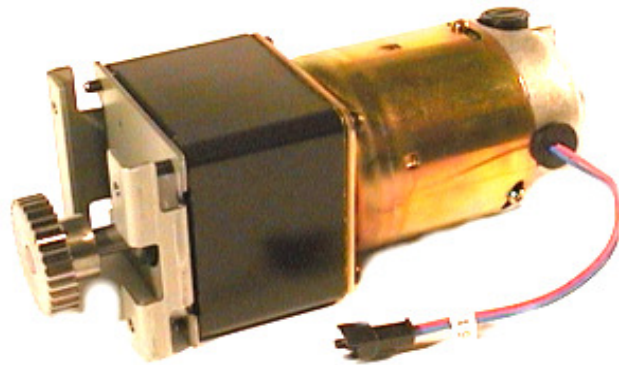
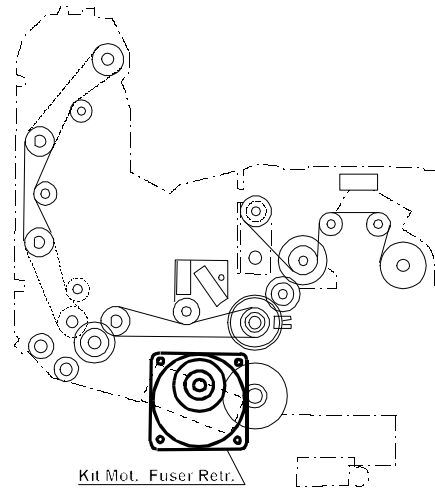


Note: Recommended to replace every 3 Mio. Pages

P O S	Parts Name	Q T Y	Order Number	4050			4060
				MICR	XP		
	Pulley Fuser Drive 4050	1	8707 900 00136	x	x	x	
	Pulley Fuser Drive 4050 R	1	RoHS 8707 900 00259	x	x	x	
	Pulley Fuser Drive 4060	1	8707 900 00137				x
	Pulley Fuser Drive 4060 R	1	RoHS 8707 900 00260				x

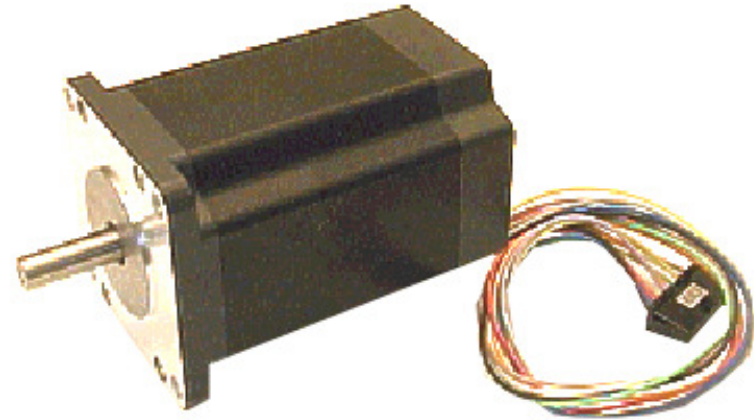
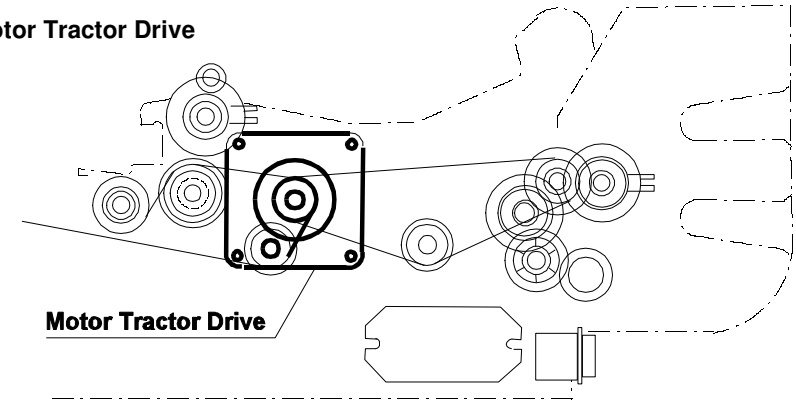
3. Spare Parts

3.1 Kit Motor Fuser Retract



Pos	Parts Name	QTY	Order Number				
				4050	4050 MICR	4050 XP	4060
	Kit Motor Fuser Retract	1	8707 900 00001	x	x	x	x
	Kit Motor Fuser Retract R	1	8707 900 00201	x	x	x	x

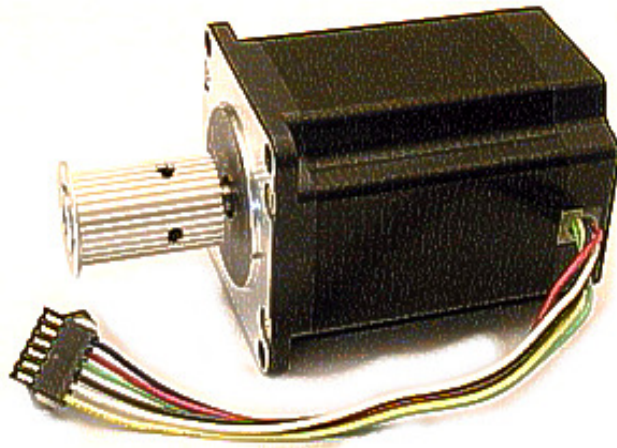
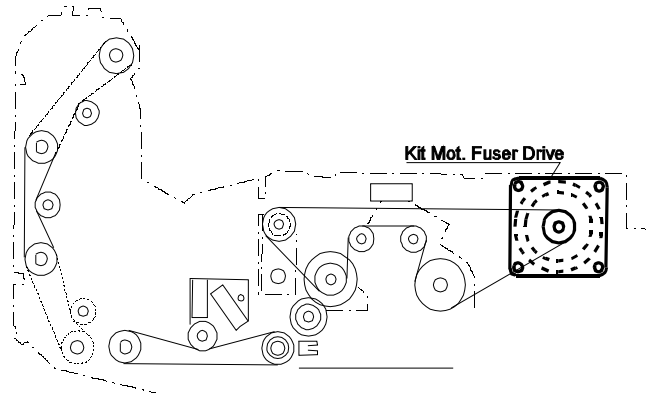
3.2 Motor Tractor Drive



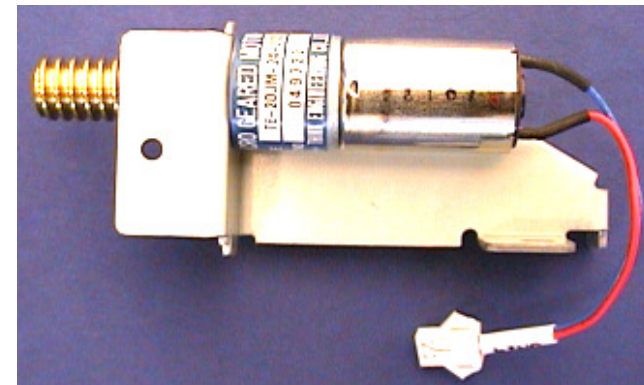
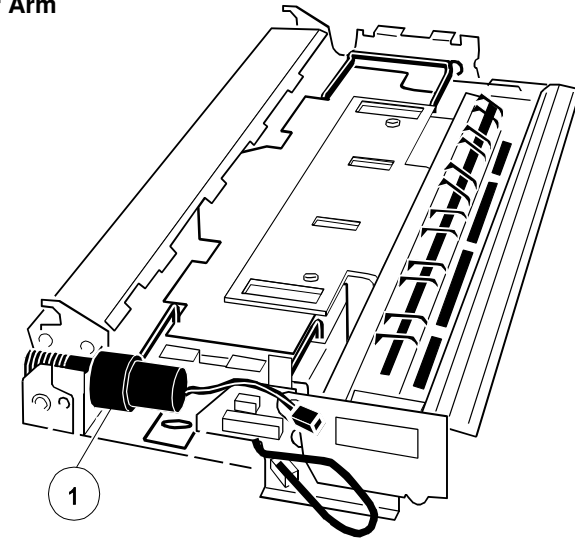
Pos		QTY	Order Number				
				4050	4050 MICR	4050 XP	4060
	Motor Tractor Drive	1	8707 900 00002	x	x	x	x
	Motor Tractor Drive R		8707 900 00202	x	x	x	x



3.3 Kit Motor Fuser Drive



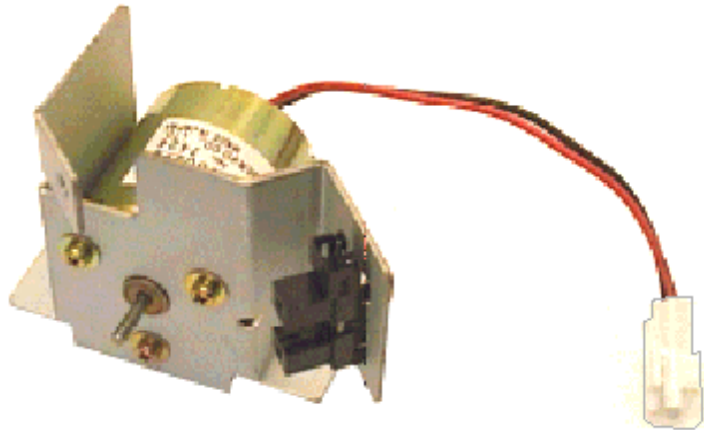
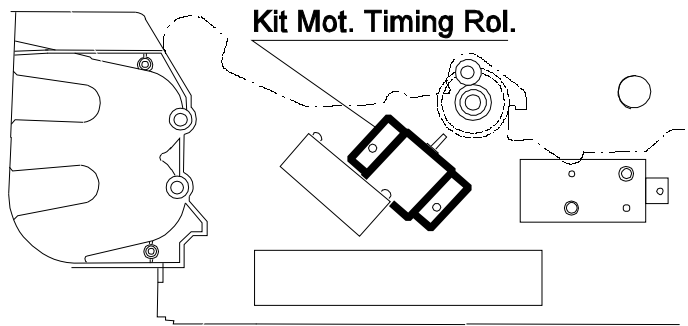
3.4 Motor Buffer Arm



Pos	Parts Name	QTY		Order Number				
					4050	4050 MICR	4050 XP	4060
	Kit Mot. Fuser Drive 4050	1		8707 900 00003	x	x	x	
	Kit Mot. Fuser Drive 4050 R	1	RoHS	8707 900 00203	x	x	x	
	Kit Mot. Fuser Drive 4060	1		8707 900 00096				x
	Kit Mot. Fuser Drive 4060 R	1	RoHS	8707 900 00239				x

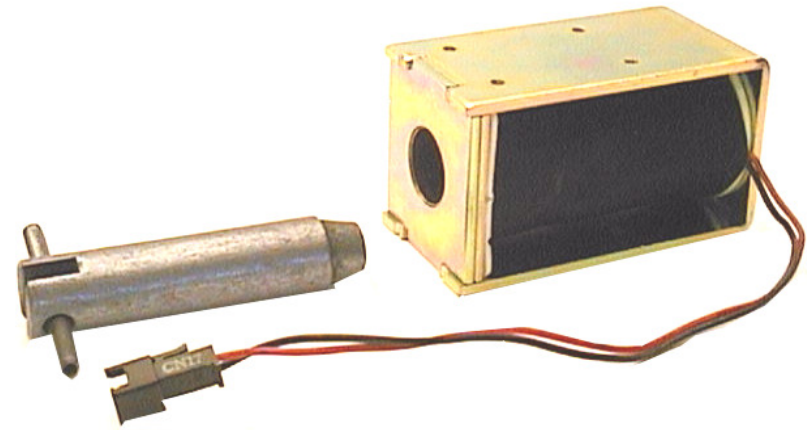
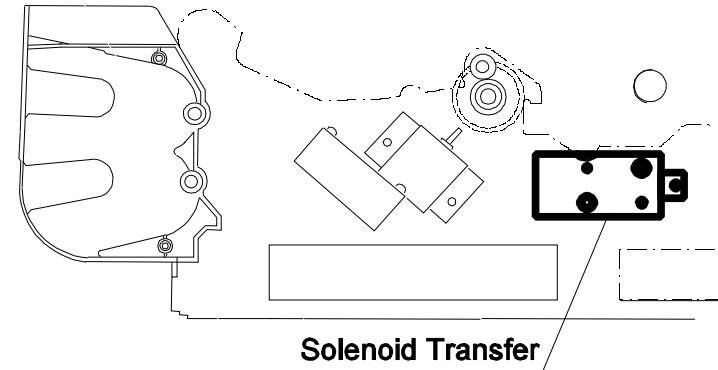
Pos		QTY		Order Number				
					4050	4050 MICR	4050 XP	4060
	Motor Buffer Arm	1		8707 900 00004	x	x	x	x
	Motor Buffer Arm R	1	RoHS	8707 900 00204	x	x	x	x

3.5 Kit Motor Timing Roller



Pos	Parts Name	QTY	Order Number				
				4050	4050 MICR	4050 XP	4060
	Kit Mot. Timing Rol.	1	8707 900 00005	x	x	x	
	Kit Mot. Timing Rol. R	1	RoHS 8707 900 00205	x	x	x	

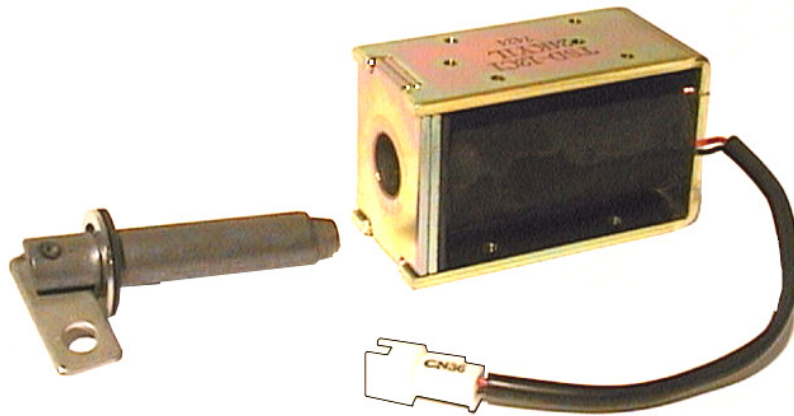
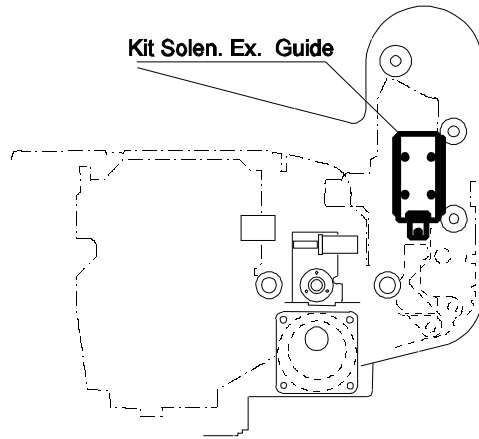
3.6 Solenoid Transfer



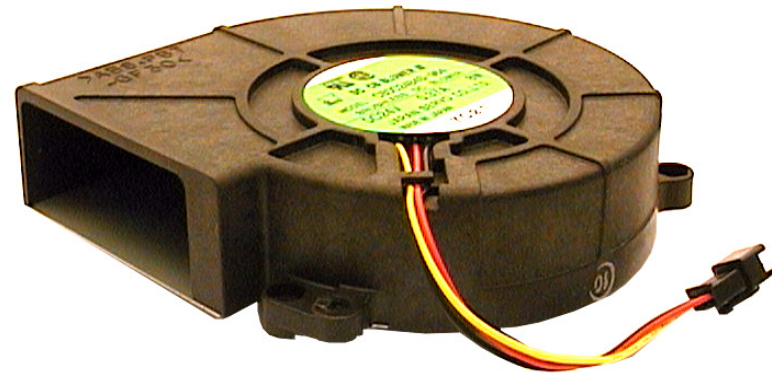
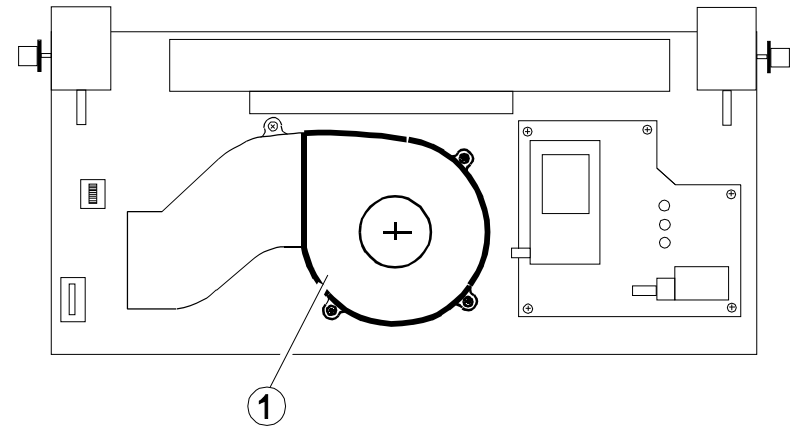
Pos	Parts Name	QTY	Order Number				
				4050	4050 MICR	4050 XP	4060
	Solenoid Transfer	1	8707 900 00006	x	x	x	x
	Solenoid Transfer R	1	RoHS 8707 900 00206	x	x	x	x



3.7 Kit Solenoid Exit Guide



3.8 Fan Suction

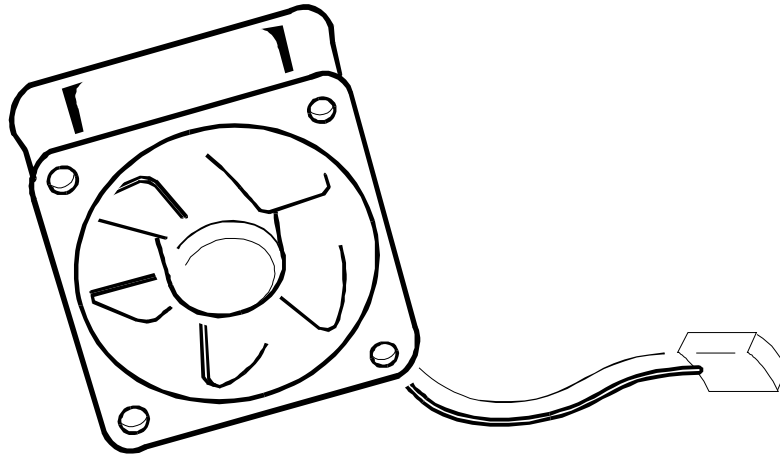
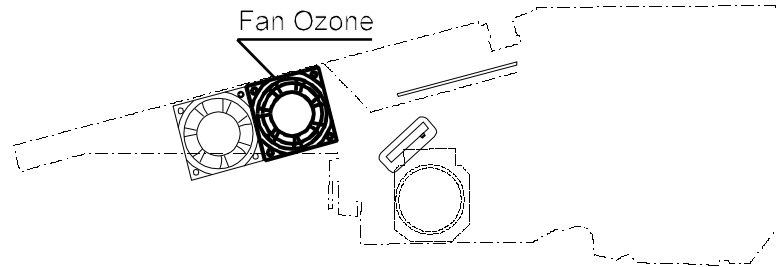


Pos	Parts Name	QTY		Order Number	Order Number			
					4050	4050 MICR	4050 XP	4060
	Kit Solen. Ex. Guide	1		8707 900 00007	x	x	x	
	Kit Solen. Ex. Guide R	1	RoHS	8707 900 00207	x	x	x	

Pos		QTY		Order Number	Order Number			
					4050	4050 MICR	4050 XP	4060
	Fan Suction	1		8707 900 00008	x	x	x	x
	Fan Suction	1	RoHS	8707 900 00208	x	x	x	x

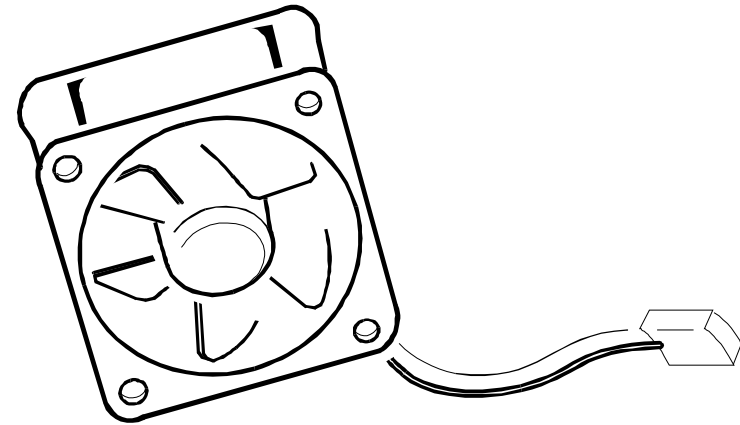
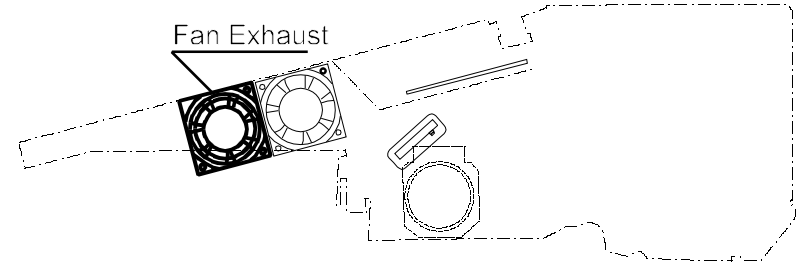


3.9 Fan Ozone



Technical Data Voltage: U = 24 V
Current: I = 0.11 A

3.10 Fan Exhaust



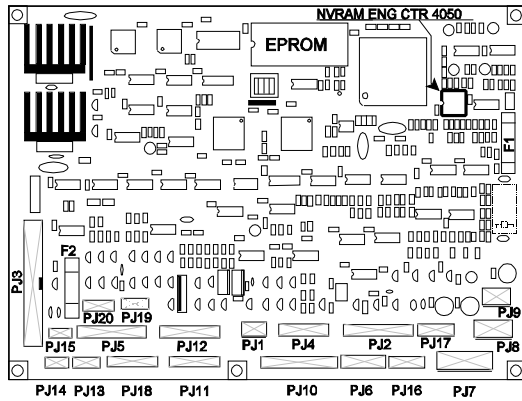
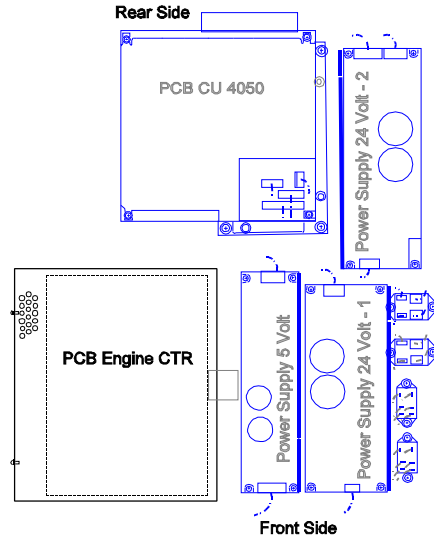
Technical Data Voltage: U = 24 V
Current: I = 0.07 A

Pos	Parts Name	QTY		Order Number				
					4050	4050 MICR	4050 XP	4060
	Fan Ozone	1		8707 900 00009	x	x	x	x
	Fan Ozone R	1	RoHS	8707 900 00209	x	x	x	x

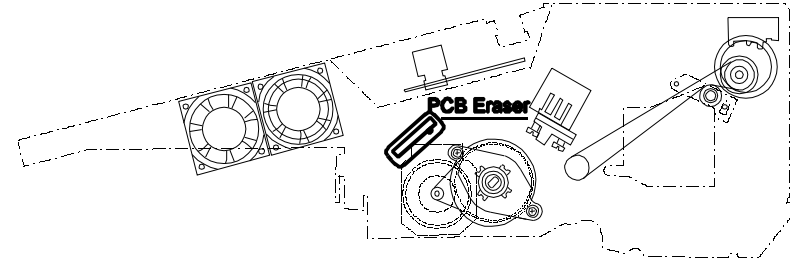
Pos		QTY		Order Number				
					4050	4050 MICR	4050 XP	4060
	Fan Exhaust	1		8707 900 00010	x	x	x	x
	Fan Exhaust R	1	RoHS	8707 900 00210	x	x	x	x



3.11 PCB Engine Controller



3.12 PCB Eraser

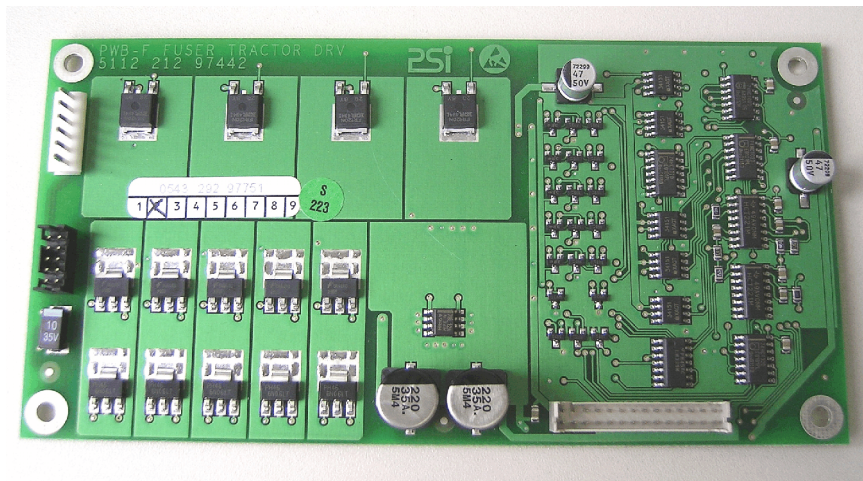
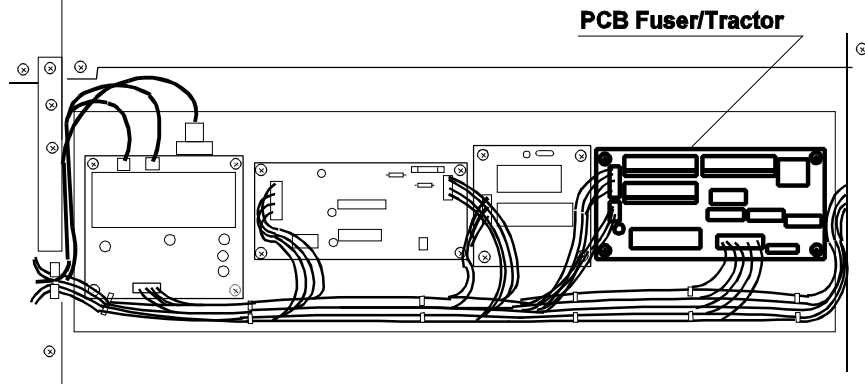


Pos	Parts Name	QTY	Order Number	Order Number			
				4050	4050 MICR	4050 XP	4060
	PCB Engine CTR	1	8707 900 00011	x			

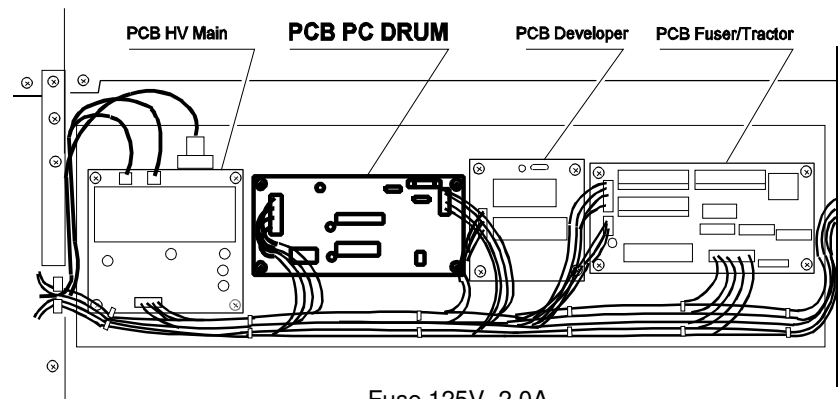
Pos	Parts Name	QTY	Order Number	Order Number			
				4050	4050 MICR	4050 XP	4060
	PCB Eraser	1	8707 900 00012	x	x	x	x
	PCB Eraser R	1	RoHS 8707 900 00211	x	x	x	x



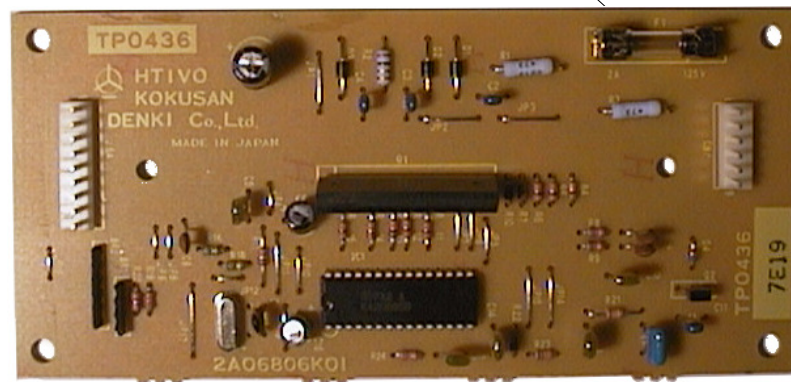
3.13 PCB Fuser/Tractor



3.14 PCB PC Drum



Fuse 125V, 2.0A

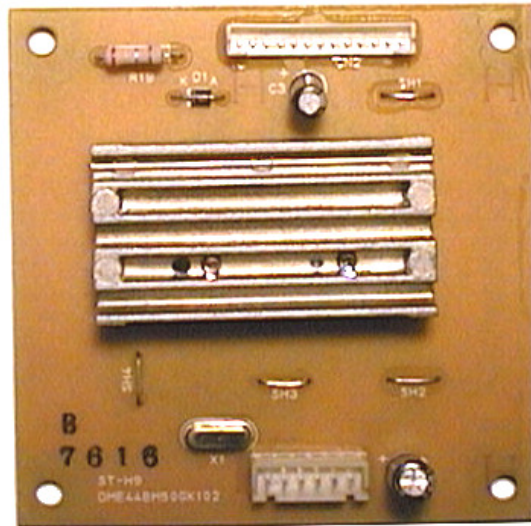
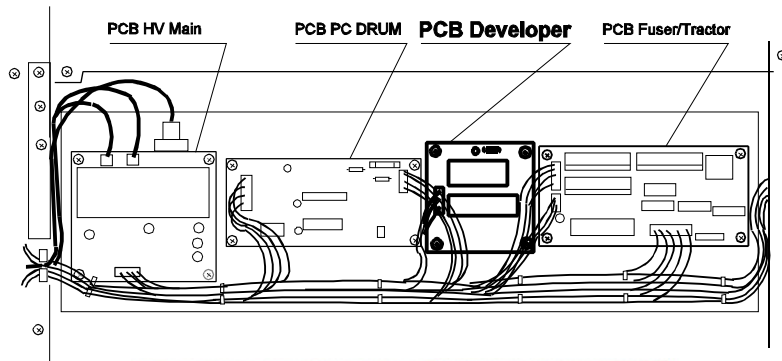


Pos	Parts Name	QTY	Order Number				
				4050	4050 MICR	4050 XP	4060
	PCB Fuser / Tractor	1	8707 900 00013	x	x	x	
	PCB Fuser / Tractor 4060	1	8707 900 00097				x
	PCB Fuser/Tractor R	1	8707 900 00212	x	x	x	x

Pos	Parts Name	QTY	Order Number				
				4050	4050 MICR	4050 XP	4060
	PCB PC Drum	1	8707 900 00014	x	x	x	
	PCB PC Drum 4060	1	8707 900 00098				x

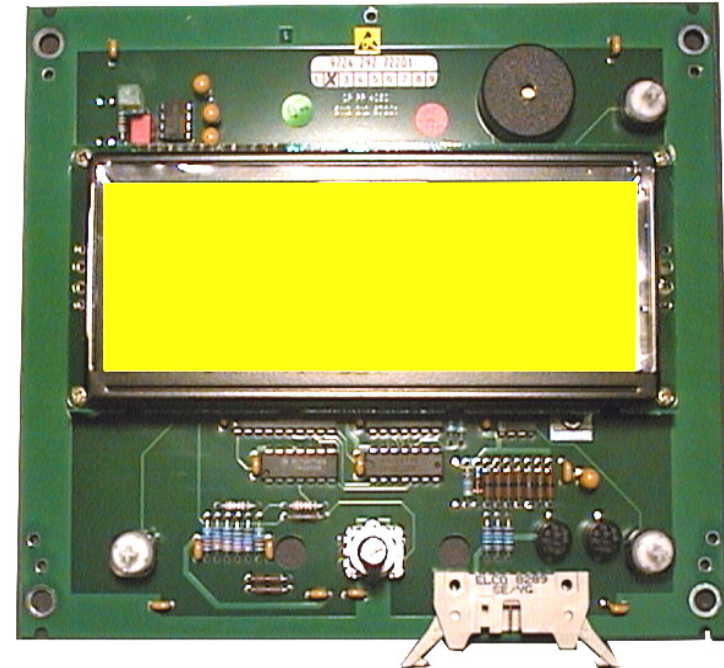


3.15 PCB Developer



3.16 PCB OP-Panel

Note: The PCB is repairable.

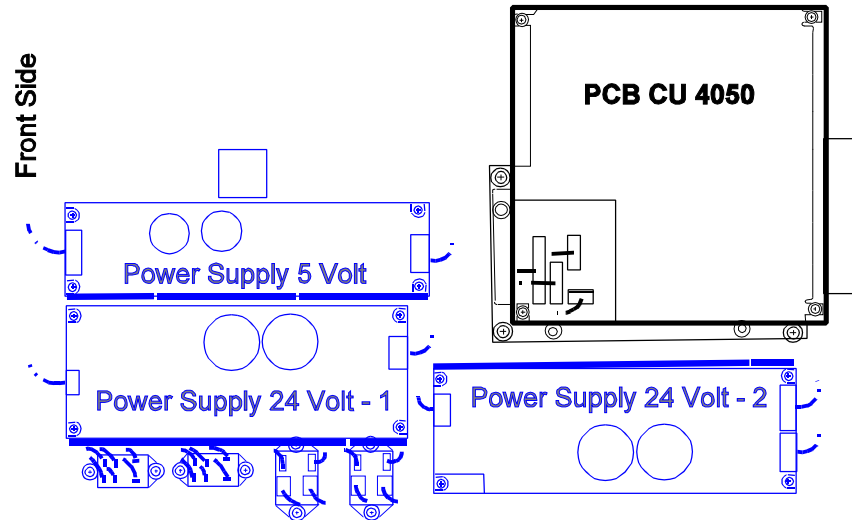
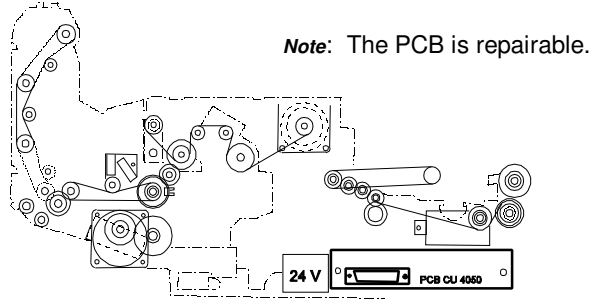


Pos	Parts Name	QTY	Order Number				
				4050	4050 MICR	4050 XP	4060
	PCB Developer	1	8707 900 00015	x	x	x	x
	PCB Developer R	1	RoHS 8707 900 00214	x	x	x	x

Pos	Parts Name	QTY	Order Number				
				4050	4050 MICR	4050 XP	4060
	PCB OP-Panel	1	8707 900 00016	x	x	x	x
	PCB OP-Panel R	1	RoHS 8707 900 00215	x	x	x	x



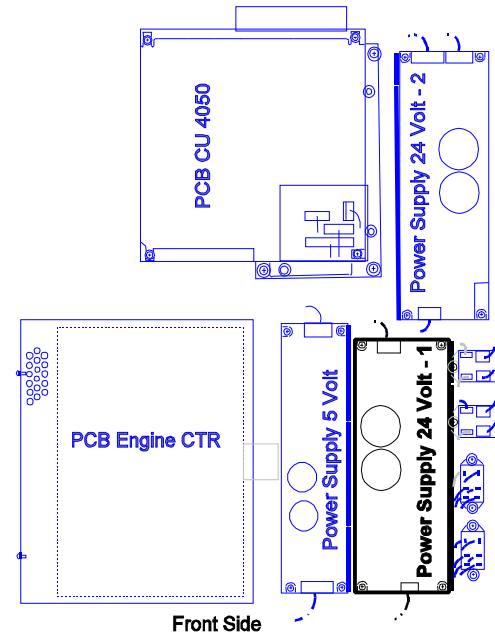
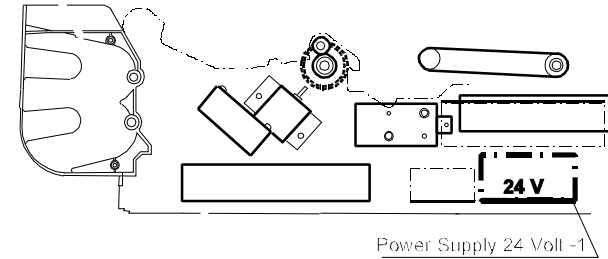
3.17 PCB CU 4050



Note: Position **A** can be replaced by position **B** - but only in conjunction with a printer firmware (PPOS) equal or higher than 2.00 and with the engine firmware equal or higher than V31 (EPROM).

Pos	Parts Name	QTY	Order Number	4050			4060
				MICR	4050	XP	
A	PCB CU 4050	1	8707 900 00017	x			
B	PCB CU-25 MHz 4050	1	8707 900 00070	x	x		

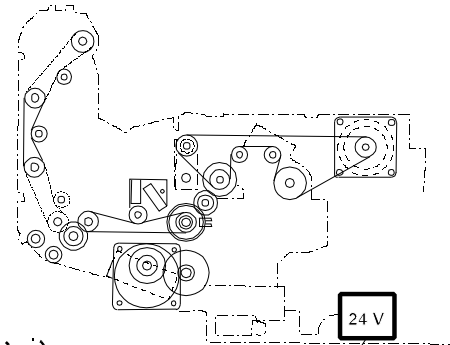
3.18 Power Supply 24V-1



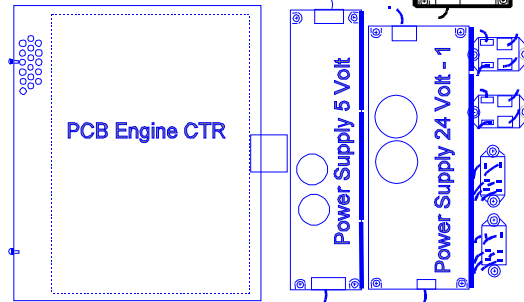
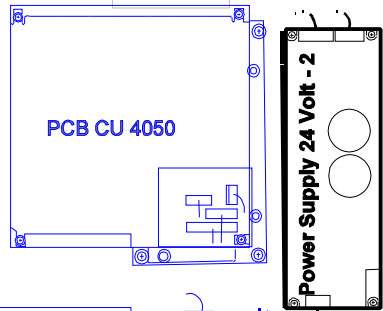
Pos	Parts Name	QTY	Order Number	4050			4060
				MICR	4050	XP	
	Power Supply 24V - 1	1	8707 900 00018	x			



3.19 Power Supply 24V-2

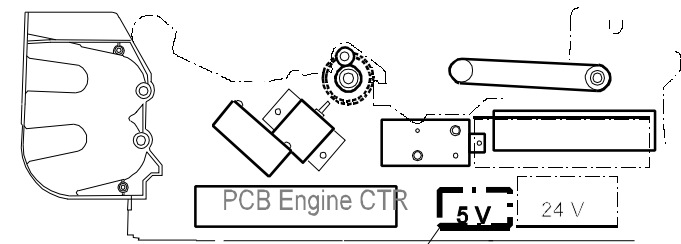


Power Supply 24 Volt - 2

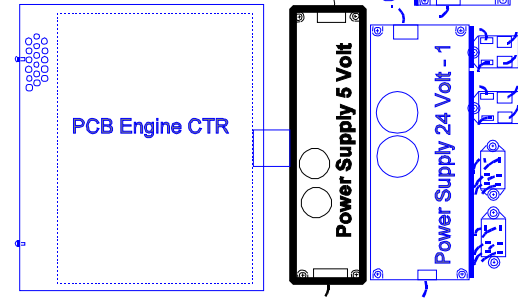
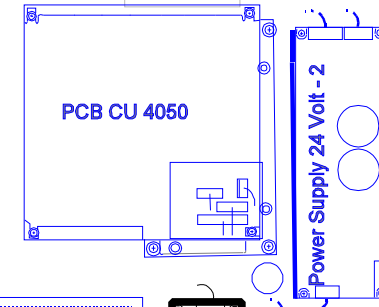


Front Side

3.20 Power Supply 5V



Power Supply 5 Volt



Front Side

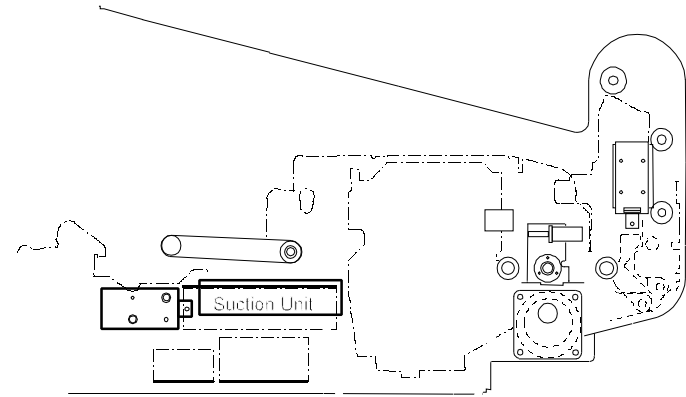
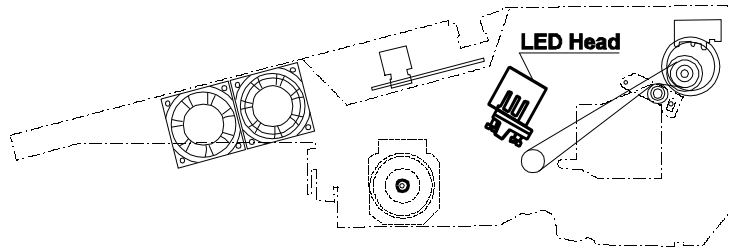
Pos	Parts Name	QTY	Order Number	4050	4050 MICR	4050 XP	4060
	Power Supply 24V - 2	1	8707 900 00019	x			

Pos	Parts Name	QTY	Order Number	4050	4050 MICR	4050 XP	4060
	Power Supply 5V	1	8707 900 00020	x			



3.21 LED Head

3.22 Suction Unit



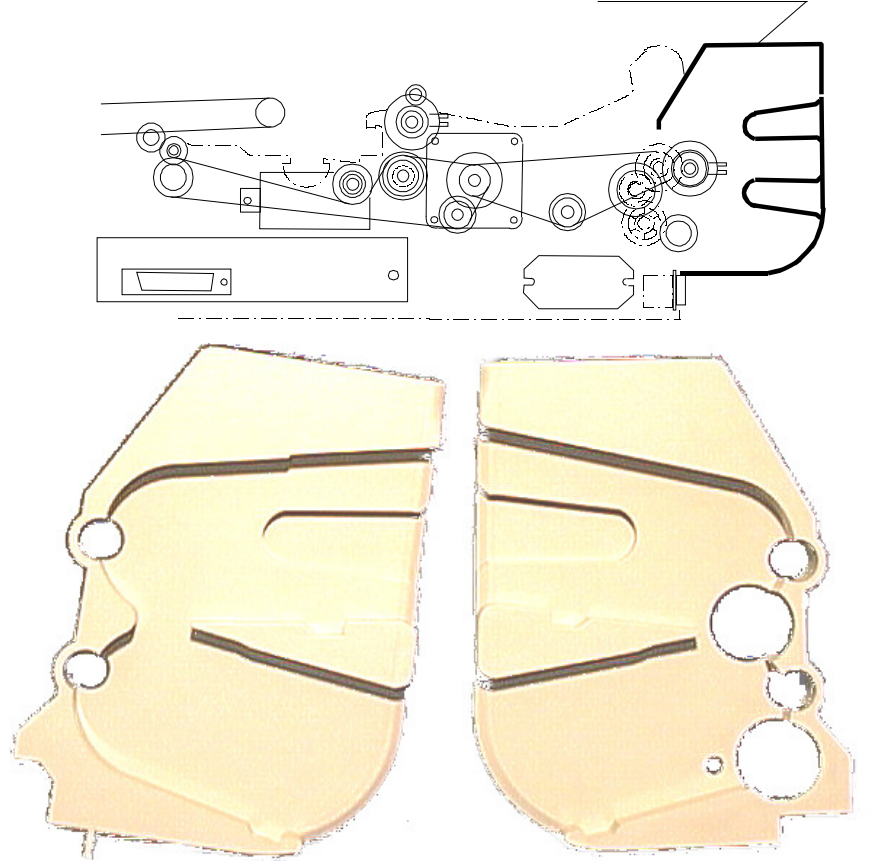
Pos	Parts Name	QTY	Order Number	Order Number			
				4050	4050 MICR	4050 XP	4060
	LED Head	1	8707 900 00021	x	x	x	x
	LED Head	1	RoHS 8707 900 00269	x	x	x	x
	LED Head 600 dpi		RoHS 8707 900 00273				

Pos	Parts Name	QTY	Order Number	Order Number			
				4050	4050 MICR	4050 XP	4060
	Suction Unit 4050	1	8707 900 00022	x		x	
	Suction Unit 4050 R	1	RoHS 8707 900 00266	x			
	Suction Unit 4060	1	8707 900 00100				x
	Suction Unit 4060 R	1	RoHS 8707 900 00267				x
	Suction Unit 4050 MICR		8707 900 00109		x		

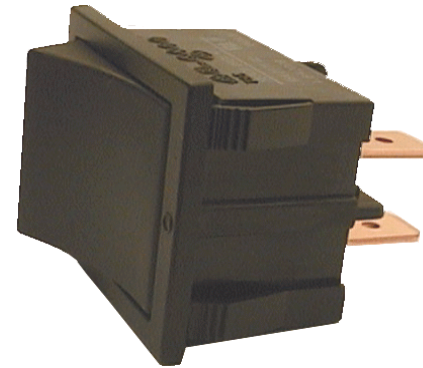
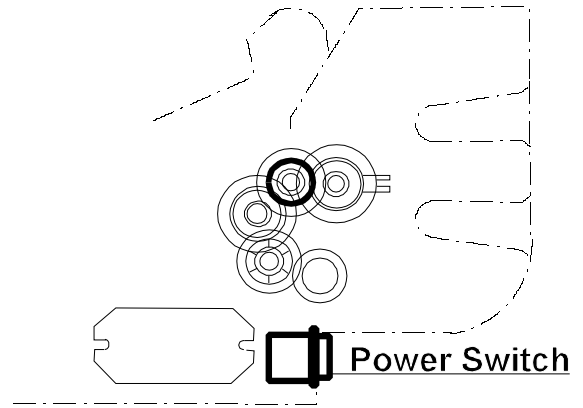


3.23 Tractor Guide

Tractor Guide



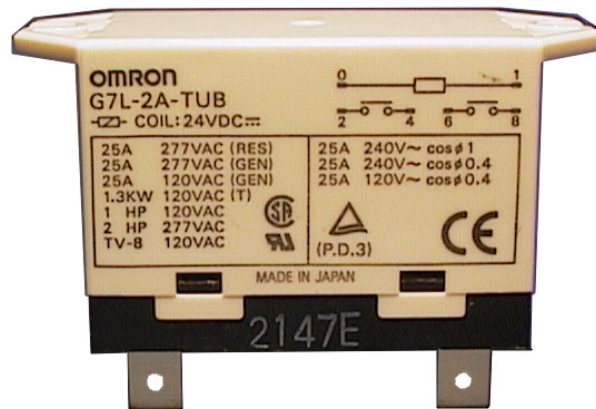
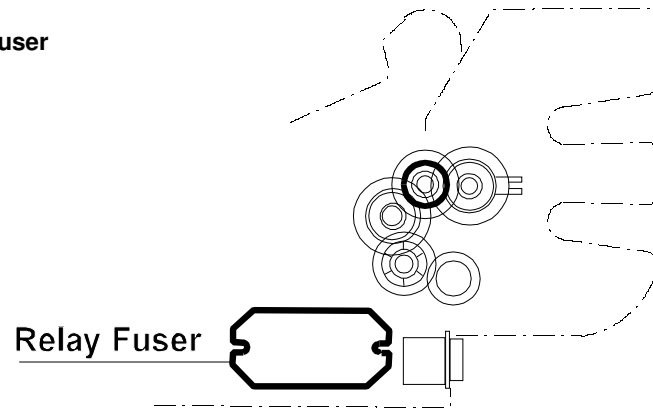
3.24 Power Switch



Pos	Parts Name	QTY	Order Number				
				4050	4050 MICR	4050 XP	4060
	Kit Tractor Guide		8707 900 00023	x	x	x	x
	Cover Tractor R	1					
	Cover Tractor L	1					

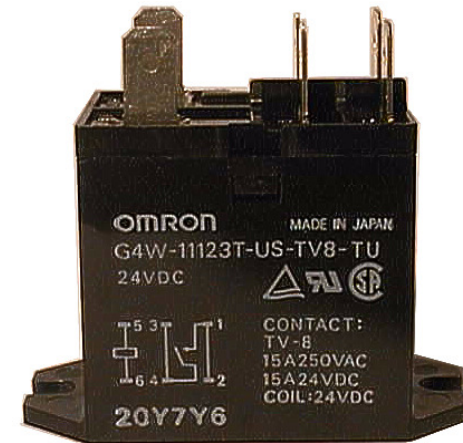
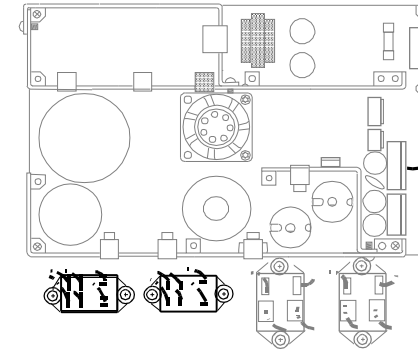
Pos	Parts Name	QTY	Order Number				
				4050	4050 MICR	4050 XP	4060
	Power Switch	1	8707 900 00024	x	x	x	x
	Power Switch R	1	RoHS 8707 900 00216	x	x	x	x

3.25 Relay Fuser



3.26 Relay 24V

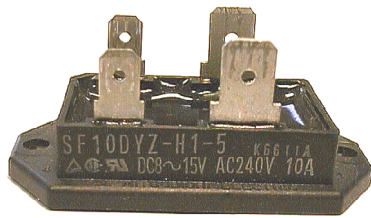
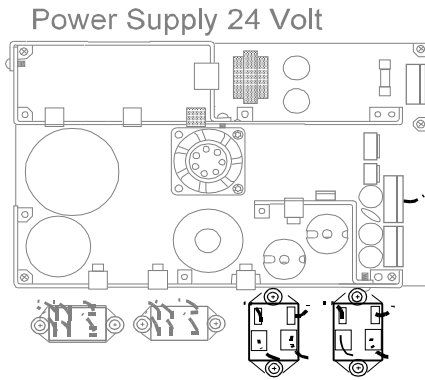
Power Supply 24 Volt



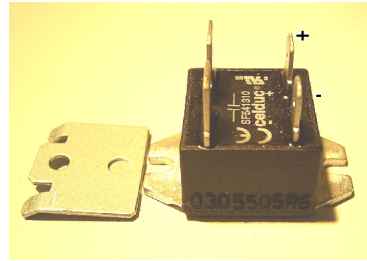
Pos	Parts Name	QTY	Order Number				
				4050	4050 MICR	4050 XP	4060
	Relay Fuser	1	8707 900 00025	x	x	x	x

Pos	Parts Name	QTY	Order Number				
				4050	4050 MICR	4050 XP	4060
	Relay 24V	1	8707 900 00026	x	x	x	x
	Relay 24V R	1	8707 900 00217	x	x	x	x

3.27 SS-Relay Heat Lamp / SS-Relay Heat Lamp 2



Pos. 1

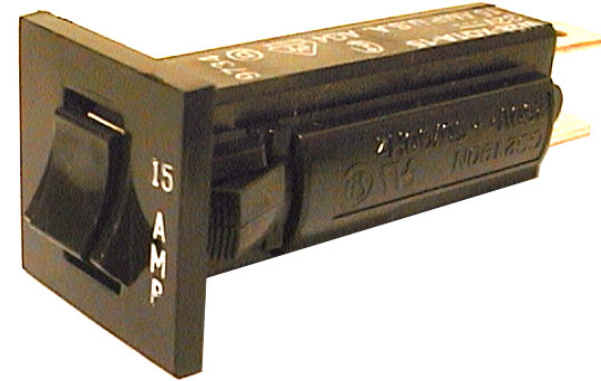
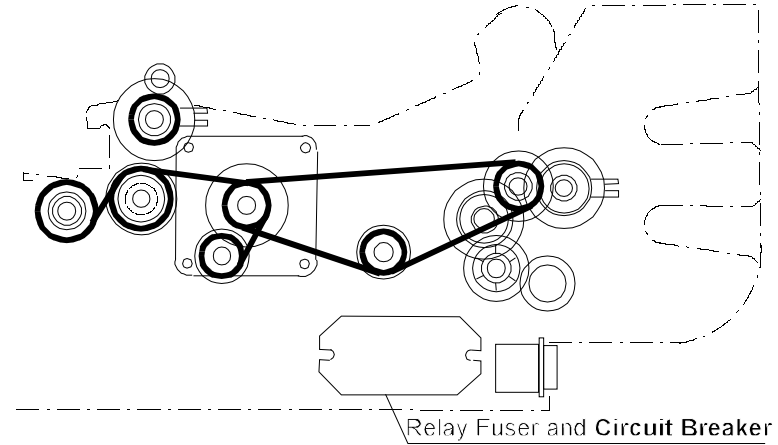


Pos. 2

Pos. 2: From 2nd quarter 2004 onwards, a new type of SS-Relay is installed in all printers whose housing is smaller than the one of its predecessor. To ensure compatibility, an adapter is needed which allows to fix the relay at the same mounting holes as before.

Pos	Parts Name	QTY	Order Number				
				4050	4050 MICR	4050 XP	4060
1	SS-Relay Heat Lamp	1	8707 900 00027	x	x	x	x
2	SS-Relay Heat Lamp 2	1	8707 900 00133	x	x	x	
2	SS-Relay Heat Lamp 2 R	1	RoHS 8707 900 00254	x	x	x	x

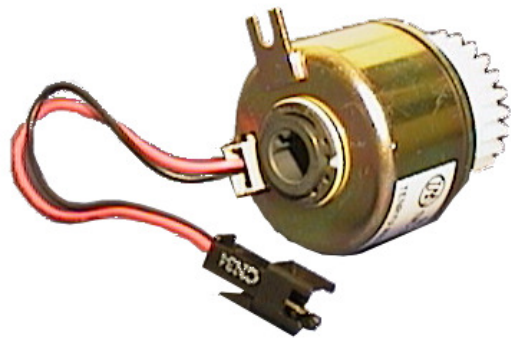
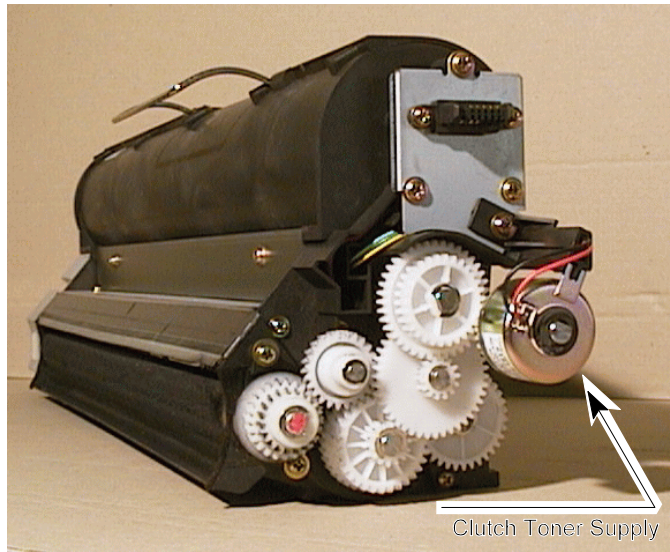
3.28 Circuit Breaker



Pos	Parts Name	QTY	Order Number				
				4050	4050 MICR	4050 XP	4060
	Circuit Braker	1	8707 900 00028	x	x	x	x



3.29 Clutch Toner Supply



Pos	Parts Name	QTY	Order Number	Order Number			
				4050	4050 MICR	4050 XP	4060
	Clutch Toner Supply	1	8707 900 00029	x	x	x	x
	Clutch Toner Supply R	1	RoHS 8707 900 00218	x	x	x	x

3.30 Kit Screws & Washers

Pos	Parts Name	QTY	Order Number	Order Number			
				4050	4050 MICR	4050 XP	4060
	Kit Screws & Washers	1	8707 900 00030	x	x	x	x
	Screws						
	Tapping Screws						
	E-Rings						
	C-Rings						
	Washers						
	Nuts						
	Cable Clips						