

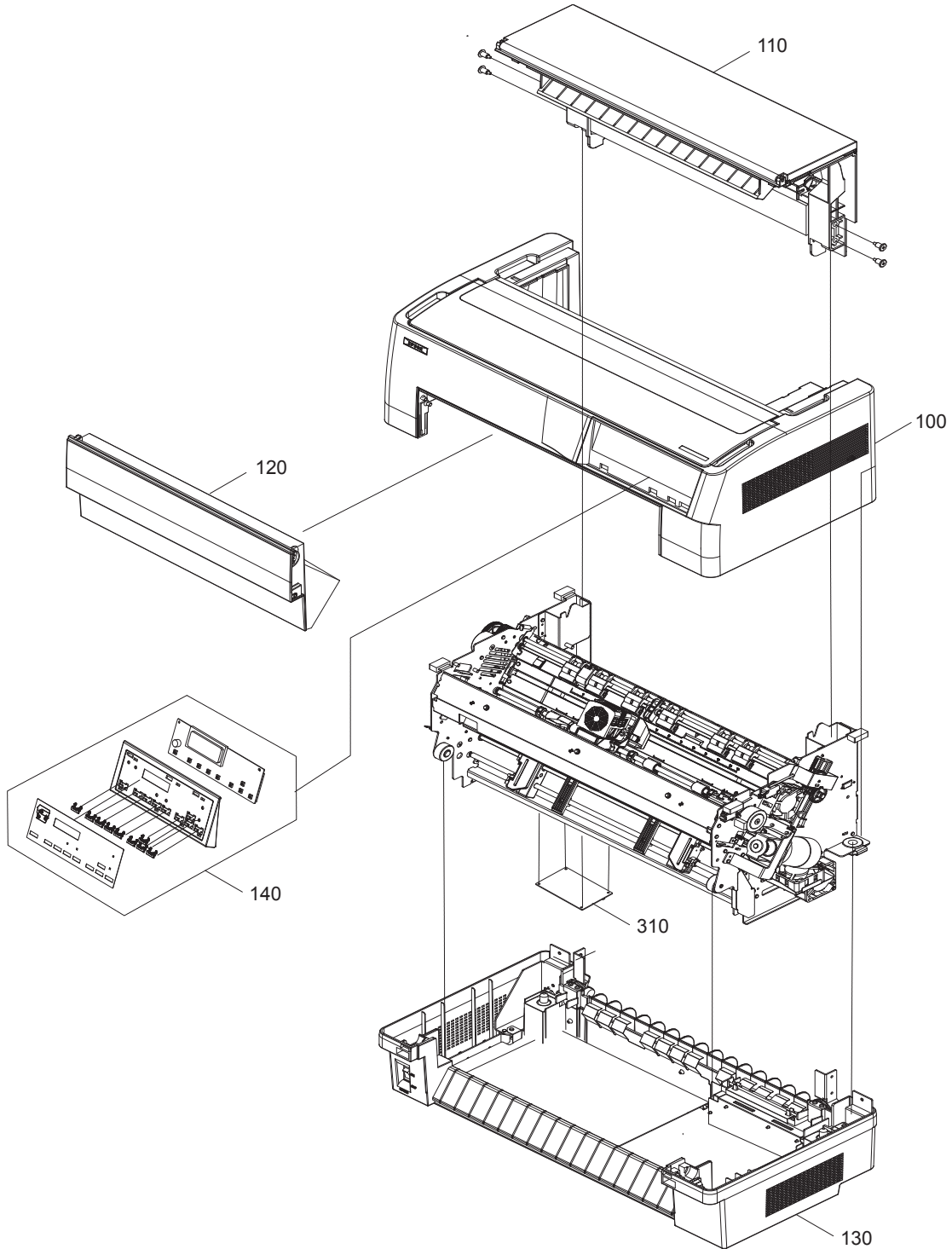
## **7.5 Exploded diagrams**

---

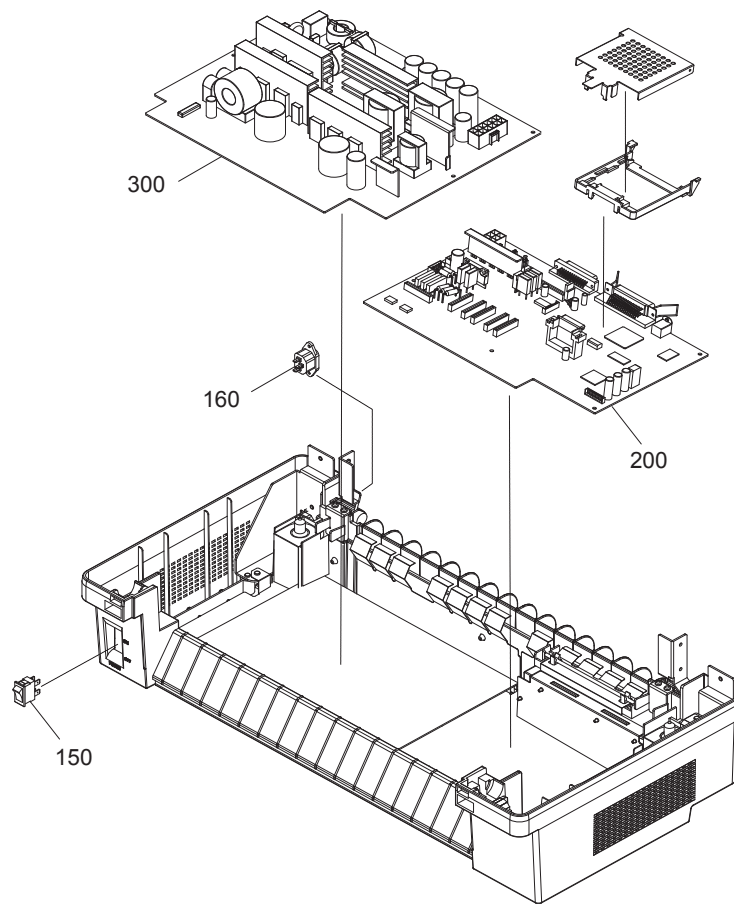
The following pages contain the exploded diagrams below:

- Exploded Diagram for DFX-9000 CASE (1)
- Exploded Diagram for DFX-9000 ELEC (2)
- Exploded Diagram for DFX-9000 MECHA (3)
- Exploded Diagram for DFX-9000 MECHA (4)
- Exploded Diagram for DFX-9000 MECHA (5)

The parts to which no reference number is assigned will not be available as after-sale service parts.

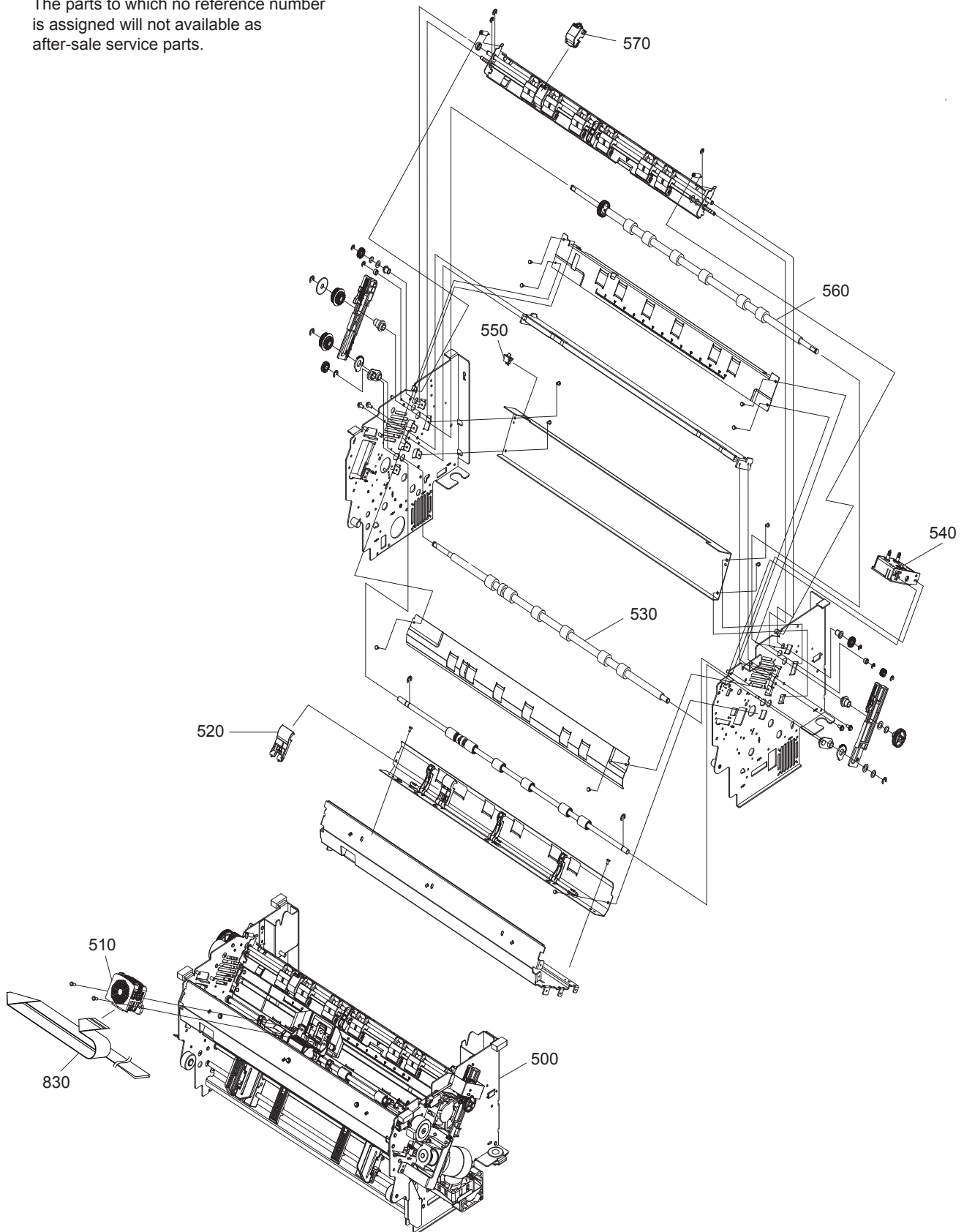


FOR DFX-9000 NO.1 REV.01 C605-CASE-001



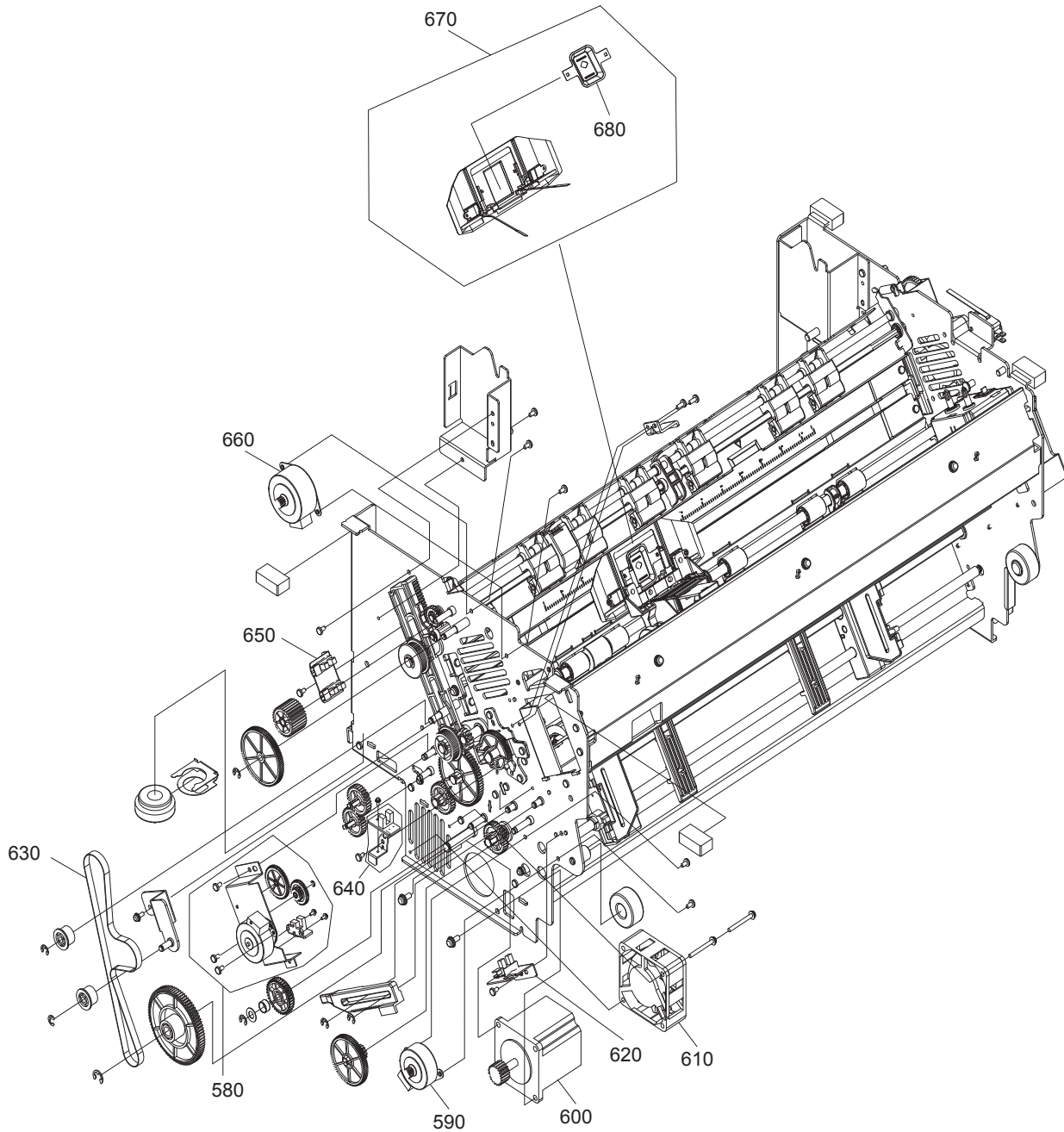
The parts to which no reference number is assigned will not be available as after-sale service parts.

The parts to which no reference number is assigned will not be available as after-sale service parts.



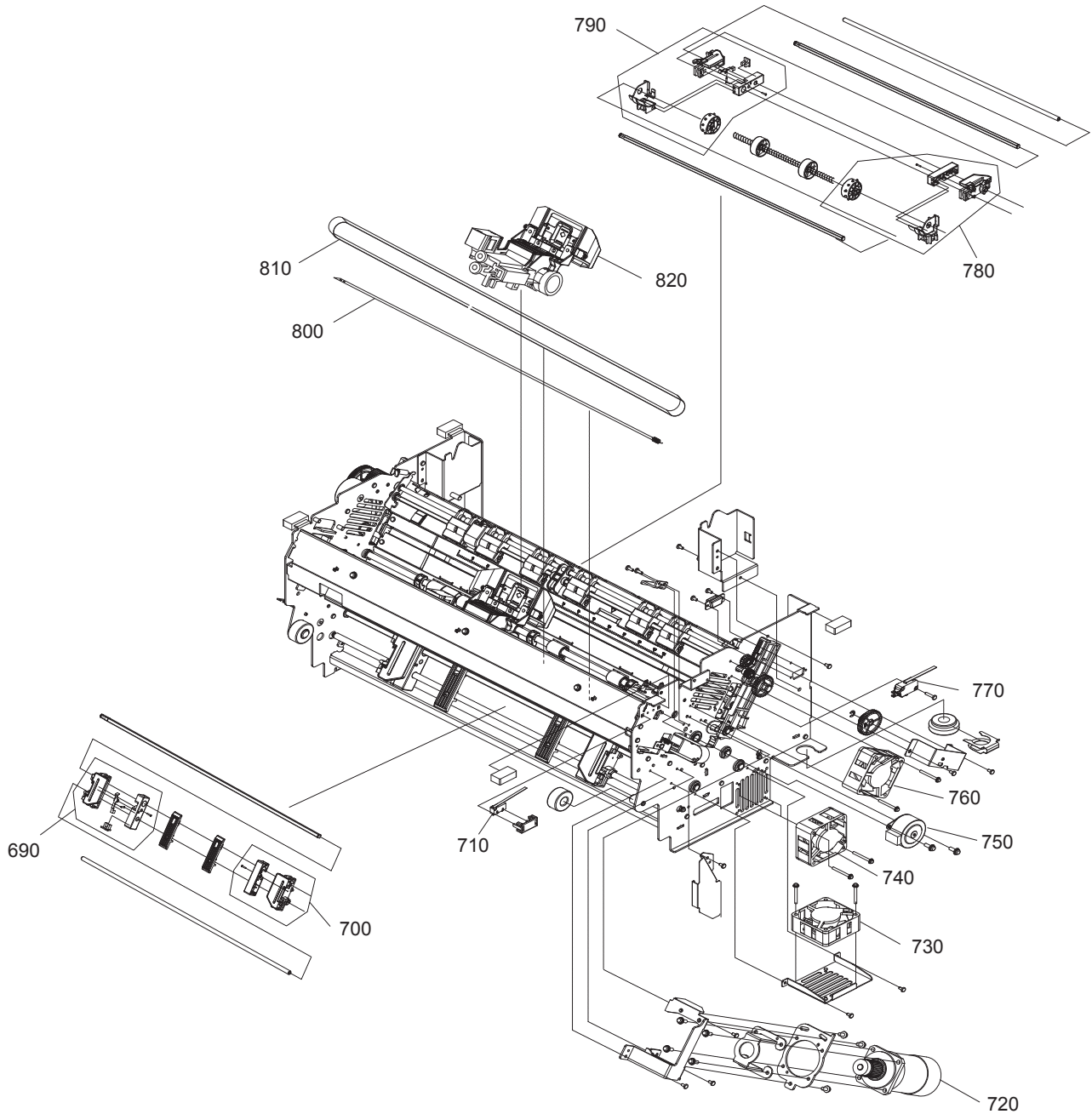
FOR DFX-9000 NO.3 REV.01 C605-MECH-001

The parts to which no reference number is assigned will not be available as after-sale service parts.



FOR DFX-9000 NO.4 REV.01 C605-MECH-002

The parts to which no reference number is assigned will not be available as after-sale service parts.



FOR DFX-9000 NO.5 REV.01 C605-MECH-003

## 7.6 Parts list

**Table 7-16. Parts List**

No.	Part Name
Not shown	SOFTWARE CD,E
Not shown	SETTING UP MANUAL
100	UPPER UNIT
110	REAR UNIT
120	FRONT COVER ASY
130	LOWER UNIT
150	AC SW ASY
160	INLET ASY
140	OP UNIT
200	ROM BOARD
300	POWER UNIT
310	SENSOR BOARD UNIT
500	PR MECHA ASY
510	PRINT HEAD
520	PJS HOLDER ASY
530	DV ROLLER F ASY
540	RF UNIT
550	PTRM SWITH ASY
560	DV ROLLER R UNIT
570	TPE HOLDER ASY
580	APTC UNIT

**Table 7-16. Parts List (continued)**

No.	Part Name
590	HCPP MOTOR
600	LF MOTOR
610	FAN1 MOTOR
620	HCPP SENSOR UNIT
630	LF BELT
640	APTC HP UNIT
650	OC SENSOR BR UNIT
660	OC MOTOR
670	CARD GUIDE ASY
680	MASK
690	TRACTOR FL UNIT
700	TRACTOR FR UNIT
710	CO SW ASY
720	SP MOTOR ASY
730	FAN3 MOTOR
740	FAN2 MOTOR
750	RF MOTOR
760	FAN4 MOTOR
770	INLK SW ASY
780	TRACTOR RR UNIT
790	TRACTOR RL UNIT
800	CES SCALE

**Table 7-16. Parts List (continued)**

<b>No.</b>	<b>Part Name</b>
810	SP BELT
820	CARRIER UNIT
830	CARRIER CABLE UNIT
Not shown	PSU1 CABLE ASY
Not shown	OP CABLE

